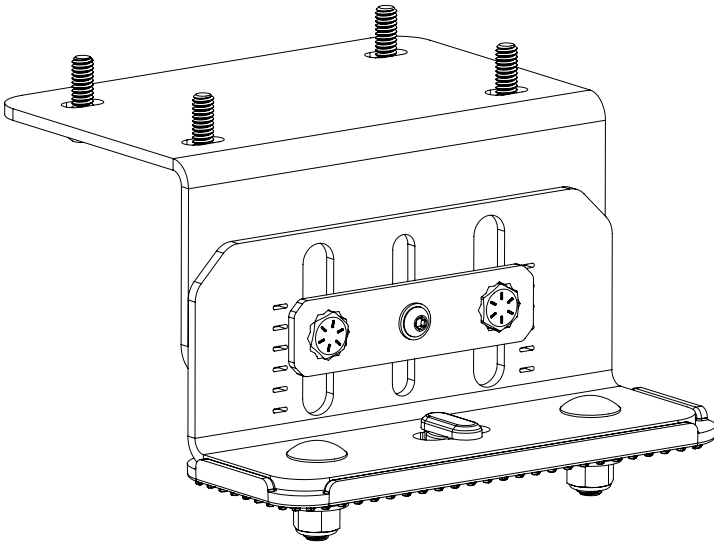


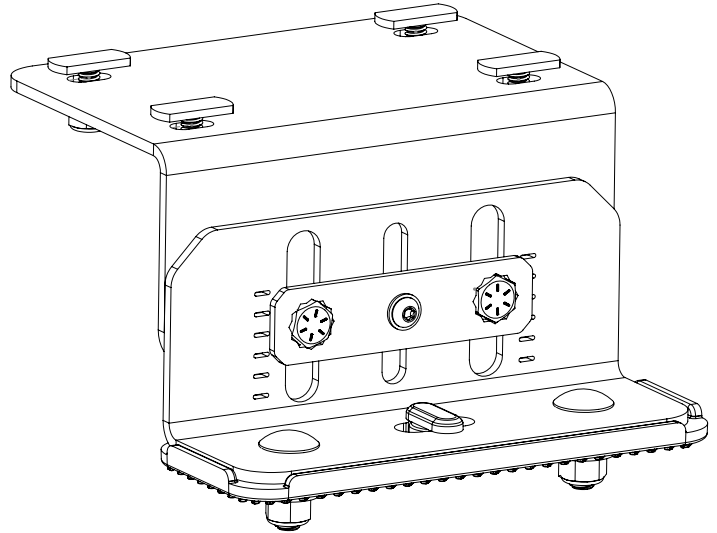
ADJUSTABLE FLAT ROOF MOUNT

PMPLBK10 - mpower® MOUNT

PNFLBK17 - nFORCE®, nFUSE® & nROADS® MOUNT



mpower® Adjustable Flat Roof Mount



nFORCE®/nFUSE®/nROADS® Adjustable Flat Roof Mount

⚠ WARNING ⚠

- HIGH CURRENT interconnects must be properly terminated. Poor crimp quality can cause heat build-up and fire. Follow crimp connector manufacturer instructions.
- DO NOT install this product or route any wires in the Air Bag Deployment Zone. Refer to vehicle Owner's Manual for deployment zones.
- DO NOT use system to disconnect headlights, brake lights or other safety equipment.
- Failure to properly install connectors, fuses or wiring may cause vehicle failure or fire.
- Installation must only be performed by trained technician. Installer must determine vehicle wiring configuration and proper integration of system.
- Use proper wire gauge. All power wires connecting to positive (+) or negative (-) battery terminal or local chassis ground (-) must be sized to supply at least 125% of max. current and properly fused at power source.
- Install protective grommets when routing wire through firewall or metal.
- Unit may become hot to touch during normal operation.

COMPONENTS 2

mpower INSTALLATION 3

nFORCE/nFUSE/nROADS INSTALLATION 5

⚠ WARNING

ROUTE WIRES ONLY IN LOCATIONS THAT ARE NOT SUBJECTED TO POTENTIAL WEAR. MAKE SURE TO AVOID ROUTING WIRES IN THE DEPLOYMENT AREA OF YOUR AIR BAG. REFER TO YOUR VEHICLE'S OWNER'S MANUAL FOR AIRBAG DEPLOYMENT ZONES.



800-338-7337 | soundoffsignal.com

NOTICE:

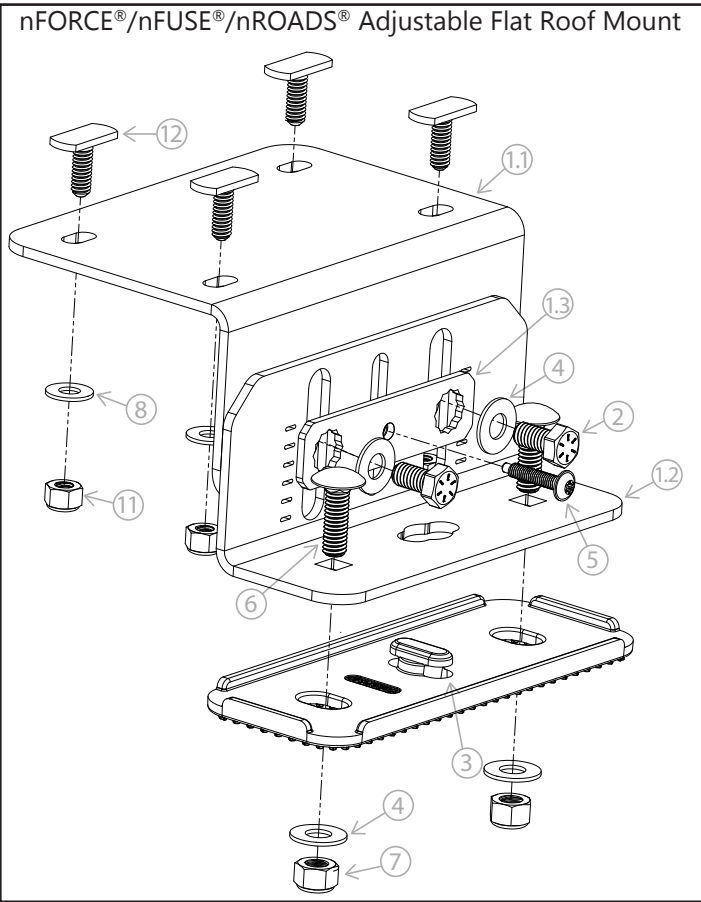
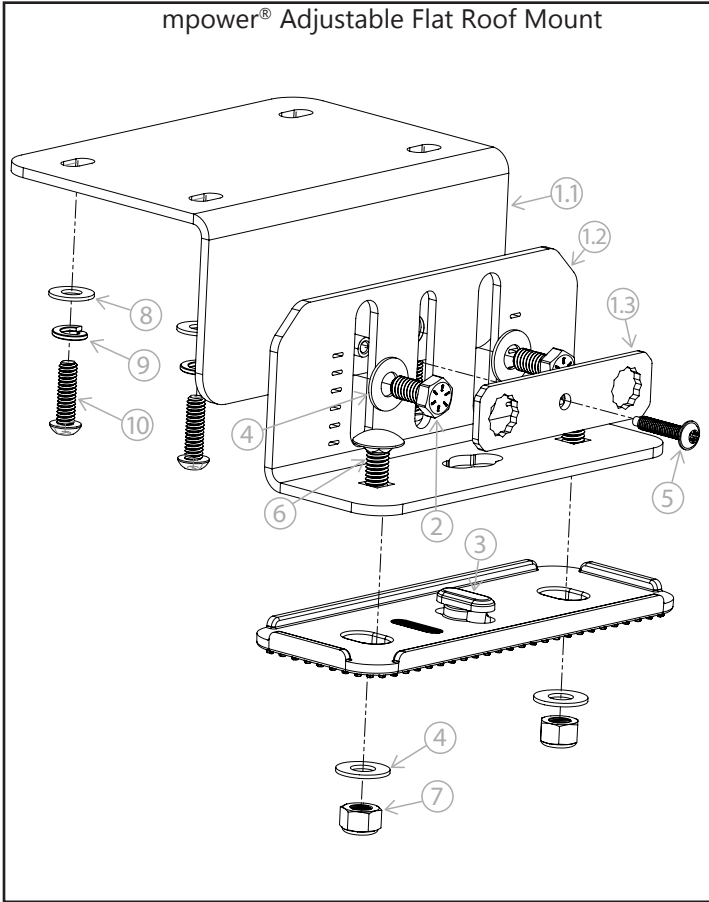
Installers and users must comply with all applicable federal, state and local laws regarding use and installation of warning devices. *Improper use or installation may void warranty coverage. To review our Limited Warranty Statement & Return Policy for this or any SoundOff Signal product, visit our website at <https://www.soundoffsignal.com/s/warranty>. If you have questions regarding this product, contact **Technical Services**, Monday - Friday, 8 a.m. to 5 p.m. ET at 800-338-7337 (press #4). Questions or comments that do not require immediate attention may be emailed to techservices@soundoffsignal.com.*

ENHANCING SAFETY THROUGH INNOVATION

PNFLBK17_PMPLBK10
0000KP 1225 REV A

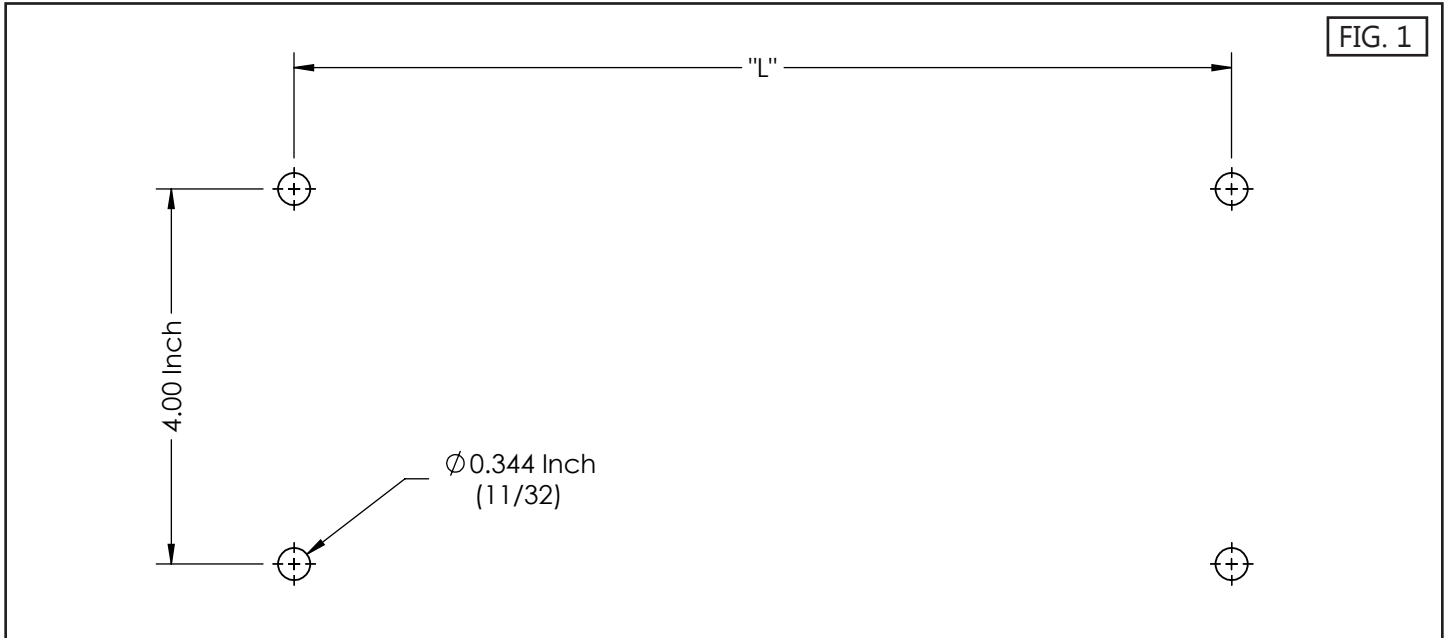
COMPONENTS: //////////////////////////////////////////////////////////////////////////////////////////////////////////////////////////////////////////////////////////////////////////////////

CONTAINS			
ITEM #	COMPONENT	PMPLBK10 QTY.	PNFLBK17 QTY.
1	HDWK - ADJUSTABLE FLAT ROOF MOUNT	1	1
1.1	ADJ HGT FOOT UPR BRKT - SINGLE MNT	1	1
1.2	ADJ HGT FOOT LWR BRKT - SINGLE MNT	1	1
1.3	5/16 BOLT LOCKING PLATE SML	1	1
2	5/16 - 18 X 0.5 - HIGH-STRENGTH GRADE 8 STEEL HEX HEAD SCREW	2	2
3	BMPR - LB MOUNTING FOOT (FIRE)	1	1
4	5/16 USS FLATWASHER 3/4" O.D. 18-8 SS BLK	4	4
5	SCREW, 10-32 x 1", BLK TORX	1	1
6	5/16"-18 X 1" LONG CARRIAGE, BLACK	2	2
7	5/16"-18 NYLON LOCK NUT SS	2	2
8	FLATWASHER SS 1/4" (5/8" OD)	4	4
9	1/4 SPLIT LOCK WASHER 18-8 S/S	4	-
10	1/4-20 X 7/8 BUTTON-HEAD SOCKET CAP SCREW	4	-
11	HEX NUT-1/4-20 NYLON LOCK STAINLESS	-	4
12	1/4-20 X .75 T-SLOT BOLT GMW4205	-	4



mpower ADJUSTABLE FLAT ROOF MOUNT INSTALLATION: //////////////////////////////////////////////////////////////////////////////////////////////////////////////////////////////////////////////////////////////////////

1. Drill holes in mounting surface (Shown in **FIG. 1**). Dimension "L" is dependent on the length of your lightbar and desired mount position on mounting surface.



2. Align brackets (shown in **FIG. 2**) and attach lightly with 2X 5/16" x 1/2" Hex Head Bolts (Item #2) and 2X 5/16" Flat washers (Item #4).
3. Adjust brackets to desired height and tilt angle. Using a torque wrench, tighten 2X 5/16" x 1/2" Hex Head Bolts (Item #2) to **18 Ft-Lbs.**
4. Assemble Locking Plate over Hex Head Bolts and attach with 10-32 x 1" Torx Screw (Item #5) as shown in **FIG. 3**.
NOTE: It may be necessary to make small adjustments to the Hex Head Bolts for the locking plate to fit over them. It is important to make adjustments only in the tightening (clockwise) direction, and the minimum amount necessary.
5. Attach Bumper Pad (Item #3) to lower bracket by inserting center retention feature into keyway and rotating 90 degrees.

