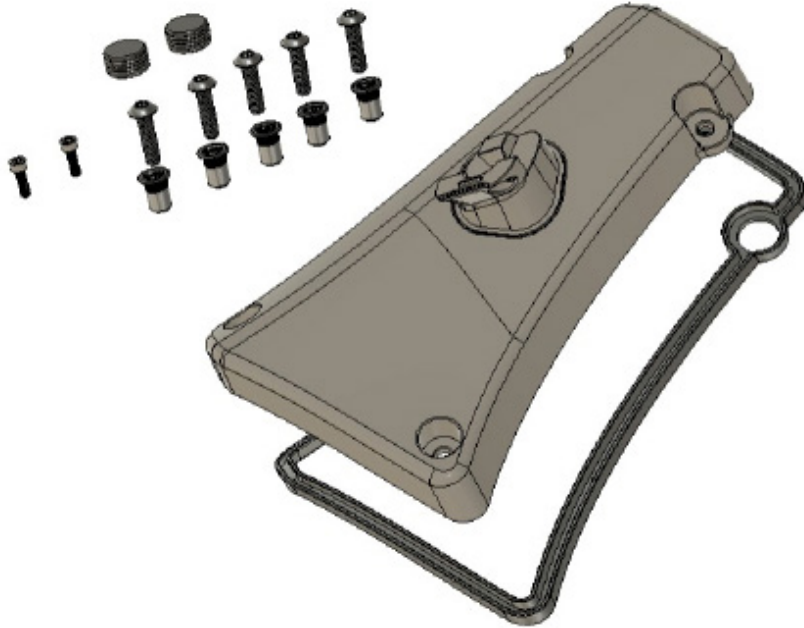


GOLIGHT® MOUNTING BRACKET KIT FOR 2018-2025 DODGE DURANGO

PWLBK008 - LH Mounting Bracket Kit
PWLBK007 - RH Mounting Bracket Kit



GOLIGHT®

*LH/Driver side shown

WARNING

- HIGH CURRENT interconnects must be properly terminated. Poor crimp quality can cause heat build-up and fire. Follow crimp connector manufacturer instructions.
- DO NOT install this product or route any wires in the Air Bag Deployment Zone. Refer to vehicle Owner's Manual for deployment zones.
- Do NOT use system to disconnect headlights, brake lights or other safety equipment.
- Unit may become hot to touch during normal operation.
- Failure to properly install connectors, fuses or wiring may cause vehicle failure or fire.
- Installation must only be performed by trained technician. Installer must determine vehicle wiring configuration and proper integration of system.
- Use proper wire gauge. All power wires connecting to positive (+) or negative (-) battery terminal or local chassis ground (-) must be sized to supply at least 125% of max. current and properly fused at power source.
- Install protective grommets when routing wire through firewall or metal.


CONTENTS 2

INSTALLATION INSTRUCTIONS.... 2

REQUIRED TOOLS 2

INSTALLATION IMAGES 3-4

WARRANTY INFORMATION 5

 **WARNING**

ROUTE WIRES ONLY IN LOCATIONS THAT ARE NOT SUBJECTED TO POTENTIAL WEAR. MAKE SURE TO AVOID ROUTING WIRES IN THE DEPLOYMENT AREA OF YOUR AIR BAG. REFER TO YOUR VEHICLE'S OWNER'S MANUAL FOR AIRBAG DEPLOYMENT ZONES.

"GOLIGHT®" is a registered trademark of Golight, Inc; Culbertson, NE

NOTICE:

If you have questions regarding the technical support of bluePRINT for this product, contact Soundoff Signal Technical Services, Monday - Friday, 8 a.m. to 5 p.m. ET at 800-338-7337 (press #4). Questions or comments that do not require immediate attention may be emailed to techservices@soundoffsignal.com.

If you have questions regarding the technical details, installation and/or warranty & returns for this product, contact Golight, Monday - Friday, 8 a.m. to 5 p.m. CT at 800-557-0098. Questions or comments that do not require immediate attention may be emailed to 911@golight.com.



800-338-7337 | soundoffsignal.com

ENHANCING SAFETY THROUGH INNOVATION

PWLBK007_PWLBK008
0825 00KPB D REV B

INTRODUCTION:

Thank you for purchasing the 2018-2025 Dodge Durango Golight mounting bracket kit. The following instructions are written specific to the left-hand (LH) mounting bracket, but also apply to the right-hand (RH) mounting bracket - just substitute RH for LH in the 'INSTALLATION' section below.

In general, the steps below cover drilling holes in A-pillar and front fender, installation of rivet nuts and installation of bracket.

For general instructions on the installation of the LH or RH spotlight, please see the instructions included in those packages.

CONTAINS		
ITEM #	COMPONENT	QTY.
1	BRACKET WITH ADAPTER	1
2	GASKET	1
3	#10-24 RIVET NUTS	5
4	#10-24 X 5/8" SCREWS - T20 TORX	5
5	M3-0.5 x 10mm LONG SCREWS	2
6	RUBBER PLUGS	2
7	2D BARCODE TO INSTALLATION INSTRUCTION SHEET	1

REQUIRED TOOLS LIST:

- Durango LH/Driver side Drill Template – p/n PWLTP003 **or**
- Durango RH/Passenger side Drill Template – p/n PWLTP004
- Permanent Marker
- Center punch
- Drill
- 3mm or 1/8" drill bit (for pilot hole)
- Step drill bit
- Deburr tool or round file
- Rivet tool
- Torx Driver - T20
- Rubber grommet

INSTALLATION:

NOTE: *It is imperative that the installer purchase a Durango LH/Driver side Drill Template (p/n PWLTP003) For RH/Passenger side installations (p/n PWLTP004). There is no room for error on hole location. **DO NOT OVER-TORQUE SCREWS. USE ONLY HAND TOOLS - NO IMPACT DRIVERS OR DRILLS.***

1. There are four holes to be drilled for rivet nuts and one hole for wiring. On the template, the four small holes are for marking the rivet nut locations and the large hole is for the wiring.
2. First step is to position the drill template. To help with locating the drill template there is a raised band on the inside of the template that will tuck into the seam between the A-pillar and front fender. Ensure that the template is centered left-and-right on the A-pillar. The footprint of template is identical to the footprint of the template with the gasket installed. It is helpful to tape the template in place so it cannot move once you start marking holes.
3. Using a pencil or permanent marker, mark the location of the four rivet nut holes along the periphery of the template (Seen in **FIG. 1**).
4. Remove the template and center punch the four spots you marked (Seen in **FIG. 2**).
5. Using a small diameter bit, drill four pilot holes (Seen in **FIG. 3**).
6. Increase the diameter of the four holes to suit the rivet nuts. A metric step drill bit with 7mm is ideal or in fractional sizes use a 9/32 bit (Seen in **FIG. 4**).
7. Deburr the holes using file or deburr tool.
8. Install the four rivet nuts using a rivet tool (Seen in **FIG. 5**).
9. Locate the main wiring harness – p/n PWLHN002 for LH/Driver side or PWLHN001 for RH/Passenger side spotlights- in your spotlight kit. Mark and drill the hole for the wire routing. Hole size will vary depending on the available grommet you wish to use (Seen in **FIG. 6**).
10. Install the grommet (Seen in **FIG. 7**).
11. Press the rubber gasket fully onto the bracket to ensure it is properly seated.
12. Route pigtail end of wire through the grommet, into the front fender and engine compartment (Seen in **FIG. 8 & FIG. 9**).
13. Route the circular end of the wiring harness through the adapter. Adjust the wiring harness so that there is ¼ inch (6 mm) from the end of the circular connector to the adapter face (Seen in **FIG. 10**).
14. Maintaining the ¼ inch length and with the wiring harness routed through the slot in the backside of the adapter, tape the wiring harness to the backside of the bracket (Seen in **FIG. 11**).
15. **Check the fit of the gasket on the A-Pillar and bracket** (Seen in **FIG. 12**).
16. Install and tighten the four #10-24x5/8 inch screws (Seen in **FIG. 13**).
17. Press the two rubber plugs in place over the lower bracket screws. Plugs should be flush with bracket. There are no plugs over the upper screws. Installation of the bracket and adapter is complete.
18. Refer to the General Instructions provided with the spotlight to complete assembly.



FIG. 1



FIG. 2



FIG. 3



FIG. 4



FIG. 5



FIG. 6



FIG. 7



FIG. 8

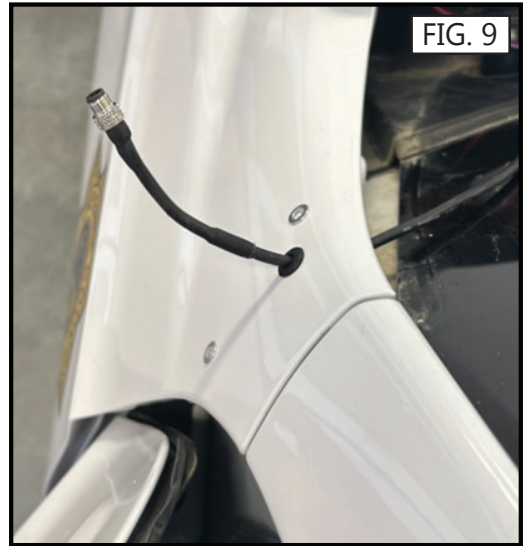


FIG. 9

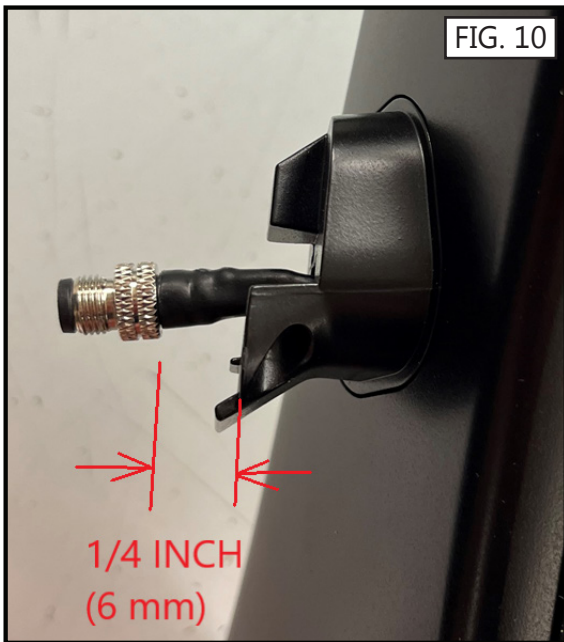


FIG. 10

1/4 INCH
(6 mm)



FIG. 11



FIG. 12



FIG. 13

PRODUCT SAFETY WARNINGS:

- ⚠ **WARNING:** You risk death or serious injury to yourself and others if you do not follow the instruction highlighted by the warning symbol. Failure to follow the specific warnings and instructions could result in personal injury, fire or electrical shock.
- ⚠ **WARNING:** Changes or modifications made by the user not expressly approved by Golight, Inc. for compliance could void the user's authority to operate the equipment.
- ⚠ **WARNING:** This spotlight is not approved for inverted mounting.

PRODUCT MISUSE:

- This spotlight is not approved for inverted mounting
- Any violation of the above referenced misuses or warnings will be considered grounds for warranty refusal

LIMITED WARRANTY:

Golight, Inc. warrants the Golight mounting brackets against any deemed defects that are due to workmanship for parts or faulty materials, for three years from the date of the original purchase. This warranty does not cover damage resulting from unreasonable use or misuse, unreasonable maintenance or loss, or labor costs.

Warranty information must be filled out within 30 days of purchase at: <http://golight.com/products/registration.html>, for warranty protection.

If the Golight mounting bracket does fail under warranted specifications, please call 800-557-0098 for a Return Goods Authorization number. After receiving an RGA#, send the bracket postage paid to:

Golight, Inc.
Attn: RGA# _____
37146 Old Hwy 17
Culbertson, NE 69024-8226.

No C.O.D.'s accepted. Only the above manufacturer is authorized to perform warranty repair or replace product.

Any consequential damages to person or property are excluded from this warranty. Some states do not allow the exclusion and limitation of incidental or consequential damages, therefore the above limitations or exclusions may not apply to you. This warranty gives you specific legal rights and you may also have other rights.

END OF USEFUL LIFE:

For information regarding the proper disposal/recycling of the spotlight contact Golight at 800-557-0098

CONTACT INFORMATION:

If you have questions regarding this product, contact Technical Services, Monday - Friday, 8 a.m. to 5 p.m. CDT at 800-577-0098. Questions or comments that do not require immediate attention may be emailed to 911@golight.com.