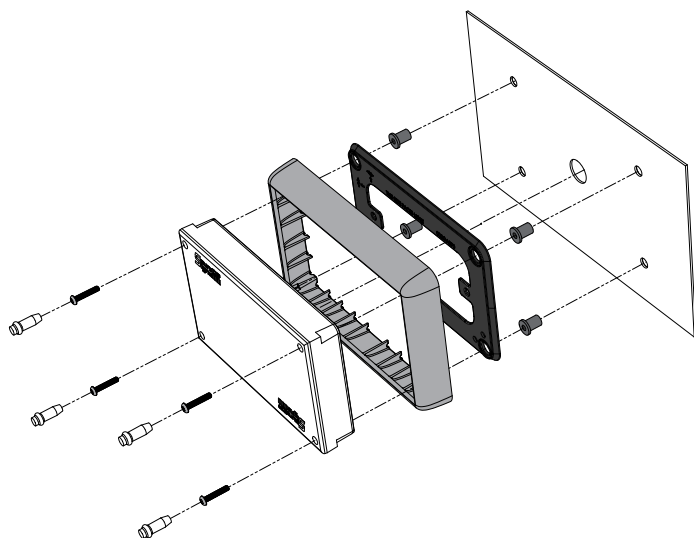


6X4 MPOWER® BEZEL

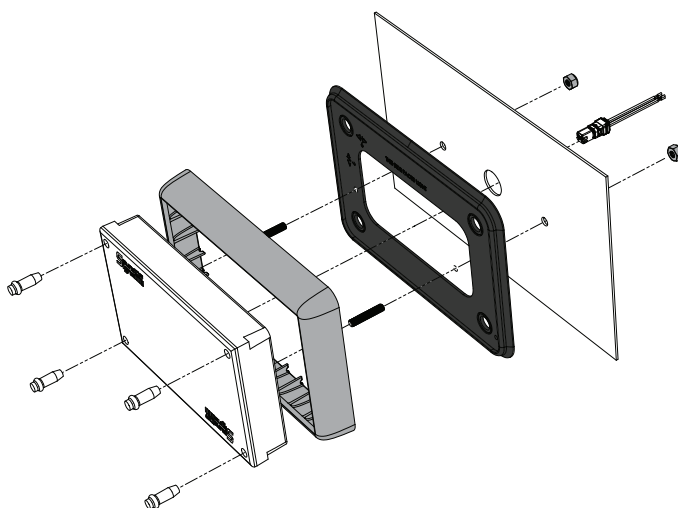
PMP7BZL01C - 6X4 SILICONE SINGLE BEZEL KIT: CHROME

PMP7BZL01B - 6X4 SILICONE SINGLE BEZEL KIT: BLACK



6X4 SCREW MOUNT LIGHT PICTURED

FIG. 1



6X4 STUD MOUNT LIGHT PICTURED

FIG. 2

⚠ WARNING ⚠

- HIGH CURRENT interconnects must be properly terminated. Poor crimp quality can cause heat build-up and fire. Follow crimp connector manufacturer instructions.
- DO NOT install this product or route any wires in the Air Bag Deployment Zone. Refer to vehicle Owner's Manual for deployment zones.
- Do NOT use system to disconnect headlights, brake lights or other safety equipment.
- Unit may become hot to touch during normal operation.
- Failure to properly install connectors, fuses or wiring may cause vehicle failure or fire.
- Installation must only be performed by trained technician. Installer must determine vehicle wiring configuration and proper integration of system.
- Use proper wire gauge. All power wires connecting to positive (+) or negative (-) battery terminal or local chassis ground (-) must be sized to supply at least 125% of max. current and properly fused at power source.
- Install protective grommets when routing wire through firewall or metal.

COMPONENTS	2
SCREW MOUNT INSTALLATION	2
STUD MOUNT INSTALLATION	3



mPower® 6x4 product page



1.800.338.7337 / www.soundoffsignal.com

NOTICE:

Installers and users must comply with all applicable federal, state and local laws regarding use and installation of warning devices. *Improper use or installation may void warranty coverage. To review our Limited Warranty Statement & Return Policy for this or any SoundOff Signal product, visit our website at www.soundoffsignal.com/tech-services/returns/. If you have questions regarding this product, contact **Technical Services**, Monday - Friday, 8 a.m. to 5 p.m. ET at 1.800.338.7337 (press #4). Questions or comments that do not require immediate attention may be emailed to techservices@soundoffsignal.com.*

ENHANCING SAFETY THROUGH INNOVATION

6X4 MPOWER BEZEL
0000KP 0124 REV A

6X4 SILICONE BEZEL

SCREW MOUNT INSTALLATION:

1. Drill (4) 5/16" holes to mount light. Drill 3/4" wire hole. See **FIG. 3**.
2. Place bezel over light.
3. Place the gasket on the back of the light and bezel.

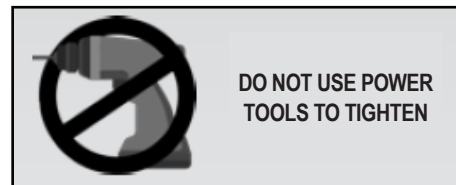
NOTE: Horizontal and vertical orientations are indicated on gasket for proper seal.

4. Insert the (4) supplied screws into each screw hole in the light.
5. Place (4) flat washers over the screws on the back of the light.
6. Screw onto each fastener the (4) well nuts onto the back of the light. Tighten until snug.
7. Pull the wire harness through the opening and plug into the back of the light.
8. With the light assembly in hand, insert the well nuts into the (4) drilled holes. Fully seat to mounting surface.
9. Secure the light to mounting surface. While applying pressure on each fastener, tighten the (4) screws 7 full turns.

NOTE: Tighten until gasket is compressed. DO NOT over tighten.

10. Insert (4) Silicone Plugs into the light to seal screw holes. (Use a 50% Isopropyl alcohol, 50% deionized water mix for lubrication if necessary).

CONTAINS		
ITEM #	COMPONENT	QTY.
1	GASKET	1
2	BEZEL	1
3	INSTALLATION INSTRUCTION SHEET	1
4	PRODUCT WARNING CARD	1
5	CA PROP 65 LABEL	1



6X4 BEZEL - SCREW MOUNT TEMPLATE
NOT TO SCALE, FOR REFERENCE ONLY

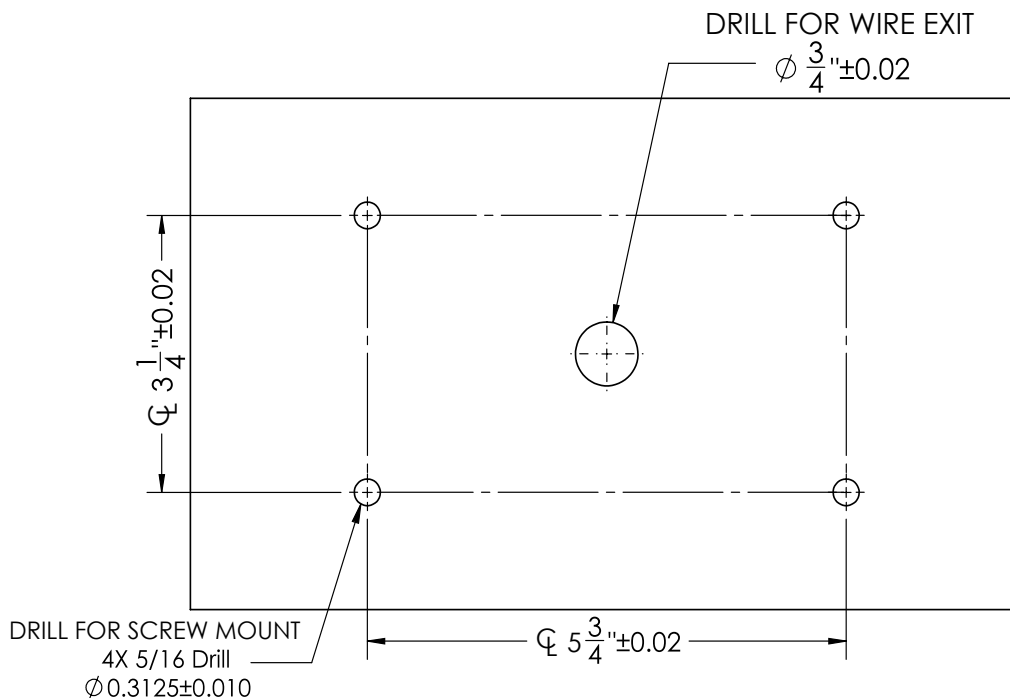


FIG. 3

6X4 SILICONE BEZEL

STUD MOUNT INSTALLATION:

1. Drill (2) 1/4" holes to mount light. Drill 3/4" wire hole (see **FIG. 4**).
2. Insert (4) silicone plugs into light to seal screw holes. (Use a 50% Isopropyl alcohol, 50% deionized water mix for lubrication if necessary).
3. Thread studs into the back of light.
4. Align the gasket to the mounting surface. Horizontal and vertical orientations are indicated on gasket for proper seal.
5. Place the bezel over gasket.
6. Place the light into bezel, press firmly to make sure bezel and gasket are tight against mounting surface.
7. Secure the light to mounting surface using (2) supplied nuts.



NOTE: Tighten until gasket is compressed. DO NOT over tighten and strip casting threads. **DO NOT USE POWER TOOLS TO TIGHTEN.**

8. Plug the wire harness into the back of the light.

