

P-SERIES MULTI-LIGHT BEZELS

PPS8BZL12X – 2 MODULE, 7X3 P-SERIES BEZEL

PPS7BZL12X – 2 MODULE, 6X4 P-SERIES BEZEL

PPS8BZL13X – 3 MODULE, 7X3 P-SERIES BEZEL

PPS7BZL13X – 3 MODULE, 6X4 P-SERIES BEZEL

PPS8BZL14X – 4 MODULE, 7X3 P-SERIES BEZEL

PPS7BZL14X – 4 MODULE, 6X4 P-SERIES BEZEL

X = C (Chrome)

X = B (Black)



PPS7BZL14C



PPS7BZL13C



PPS7BZL12C



P-Series product page



PPS8BZL12C



PPS8BZL13C



PPS8BZL14C

⚠ WARNING ⚠

- HIGH CURRENT interconnects must be properly terminated. Poor crimp quality can cause heat build-up and fire. Follow crimp connector manufacturer instructions.
- DO NOT install this product or route any wires in the Air Bag Deployment Zone. Refer to vehicle Owner's Manual for deployment zones.
- Do NOT use system to disconnect headlights, brake lights or other safety equipment.
- Unit may become hot to touch during normal operation.
- Failure to properly install connectors, fuses or wiring may cause vehicle failure or fire.
- Installation must only be performed by trained technician. Installer must determine vehicle wiring configuration and proper integration of system.
- Use proper wire gauge. All power wires connecting to positive (+) or negative (-) battery terminal or local chassis ground (-) must be sized to supply at least 125% of max. current and properly fused at power source.
- Install protective grommets when routing wire through firewall or metal.

INTRODUCTION.	2
COMPONENTS	2
INSTALLATION INSTRUCTIONS	2
PPS7BZL12X - 6X4 2 MODULE	3 - 4
PPS7BZL13X - 6X4 3 MODULE	5 - 6
PPS7BZL14X - 6X4 4 MODULE	7 - 8
PPS8BZL12X - 7X3 2 MODULE	9 - 10
PPS8BZL13X - 7X3 3 MODULE	11 - 12
PPS8BZL14X - 7X3 4 MODULE	13 - 14



1.800.338.7337 / www.soundoffsignal.com

NOTICE:

Installers and users must comply with all applicable federal, state and local laws regarding use and installation of warning devices. *Improper use or installation may void warranty coverage.* To review our Limited Warranty Statement & Return Policy for this or any SoundOff Signal product, visit our website at www.soundoffsignal.com/tech-services/returns/. If you have questions regarding this product, contact **Technical Services**, Monday - Friday, 8 a.m. to 5 p.m. ET at **1.800.338.7337** (press #4). Questions or comments that do not require immediate attention may be emailed to techservices@soundoffsignal.com.

INTRODUCTION:

- Allows for the seamless combination of multiple 6X4 or 7X3 P-Series firelights.
- Easily mount to any flat panel.
- Tough metal construction with fitted silicone gasket.
- Two different mount options provided for a variety of applications.

CONTAINS		
ITEM #	COMPONENT	QTY.
1	BEZEL	1
2	MOUNTING PLATE	1
3	GASKET	1
4	LIGHT MOUNTING HARDWARE	1
5	BEZEL MOUNTING HARWARE	1
6	INSTALLATION INSTRUCTION SHEET	1
7	PRODUCT WARNING CARD	1
8	CA PROP 65 LABEL	1

⚠ WARNING

ROUTE WIRES ONLY IN LOCATIONS THAT ARE NOT SUBJECTED TO POTENTIAL WEAR. MAKE SURE TO AVOID ROUTING WIRES IN THE DEPLOYMENT AREA OF YOUR AIR BAG. REFER TO YOUR VEHICLE'S OWNER'S MANUAL FOR AIRBAG DEPLOYMENT ZONES.

INSTALLATION:

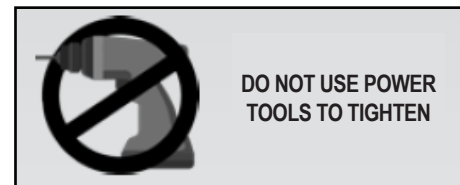
1. Identify desired location on vehicle for mounting of bezel. Although this bezel can be installed without access to the inside panel of the vehicle, ensure that there is sufficient space for wire routing.
2. Identify the mounting method that will be used. Well nuts are provided for installations in which the interior of the mounting panel is inaccessible.

NOTE: Well nuts are only intended for panels with a minimum thickness of 0.015" (0.4mm) and a maximum thickness of 0.125" (3.2mm). For all other applications, use the provided lock nuts.

3. Using the provided gasket as a template, mark the mounting locations. Ensure the assembly is level and that the area on the interior of the panel is clear of wires and other obstructions before drilling.

PRO TIP: Before drilling, place non-marking tape over each drill location to protect the vehicle finish.

4. For installations with lock nuts, drill 5/16" (8.00mm) clearance holes for the provided 1/4"-20 hardware. For installations with well nuts, drill 0.5" (12.7mm) holes. Wire pass-thru holes should be 1.00" (25.4mm). Refer to the provided drill templates for hole spacing. Ensure edges of drilled holes are cleaned and deburred.
5. Attach the mounting plate and gasket to the vehicle using the provided hardware. For installations with lock nuts, torque to 35 in-lbs (3.95 N•m). For installations with well nuts, apply pressure against each fastener while tightening and torque to 10 in-lbs (1.13 N•m).

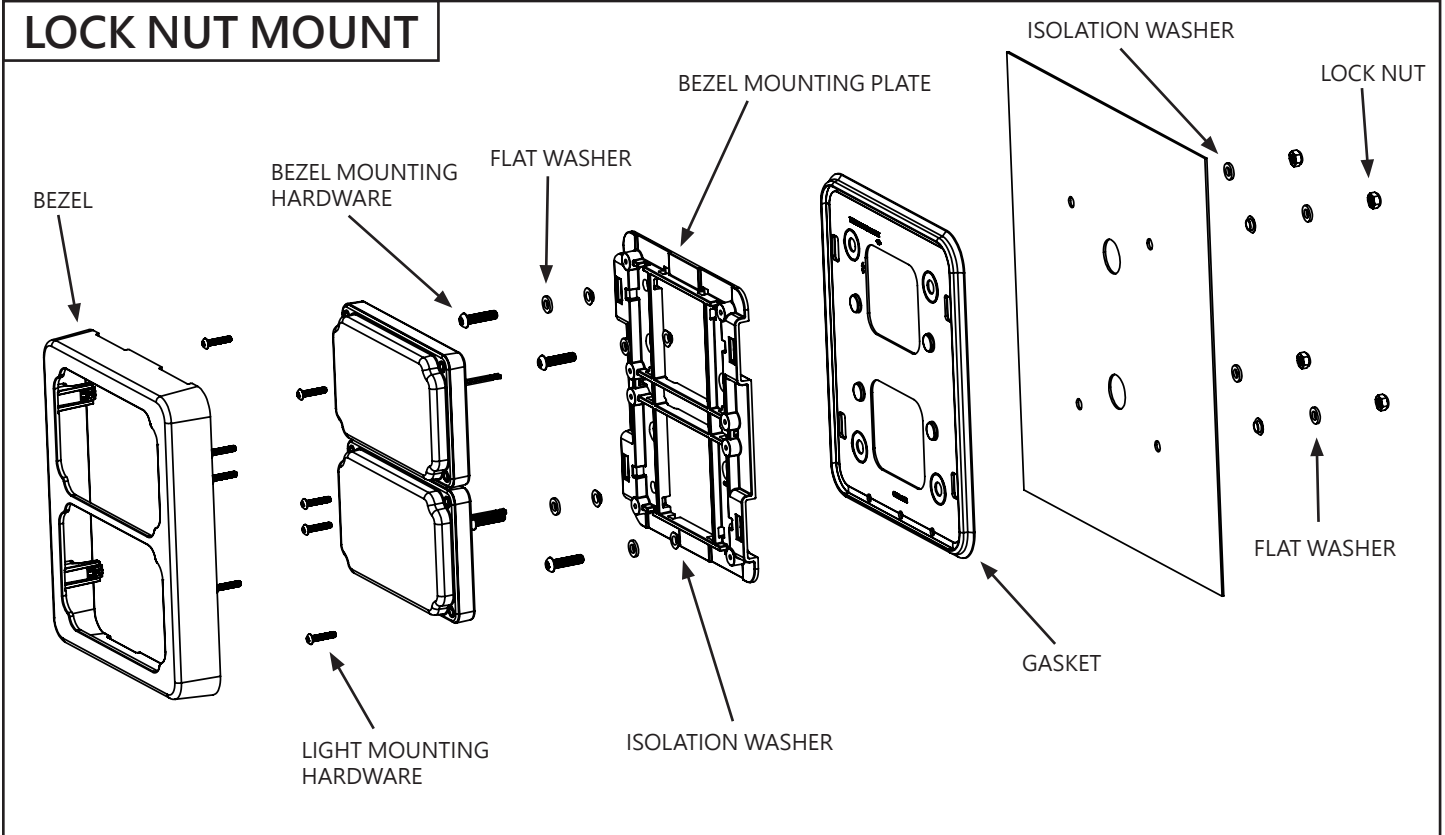


DO NOT USE POWER TOOLS TO TIGHTEN

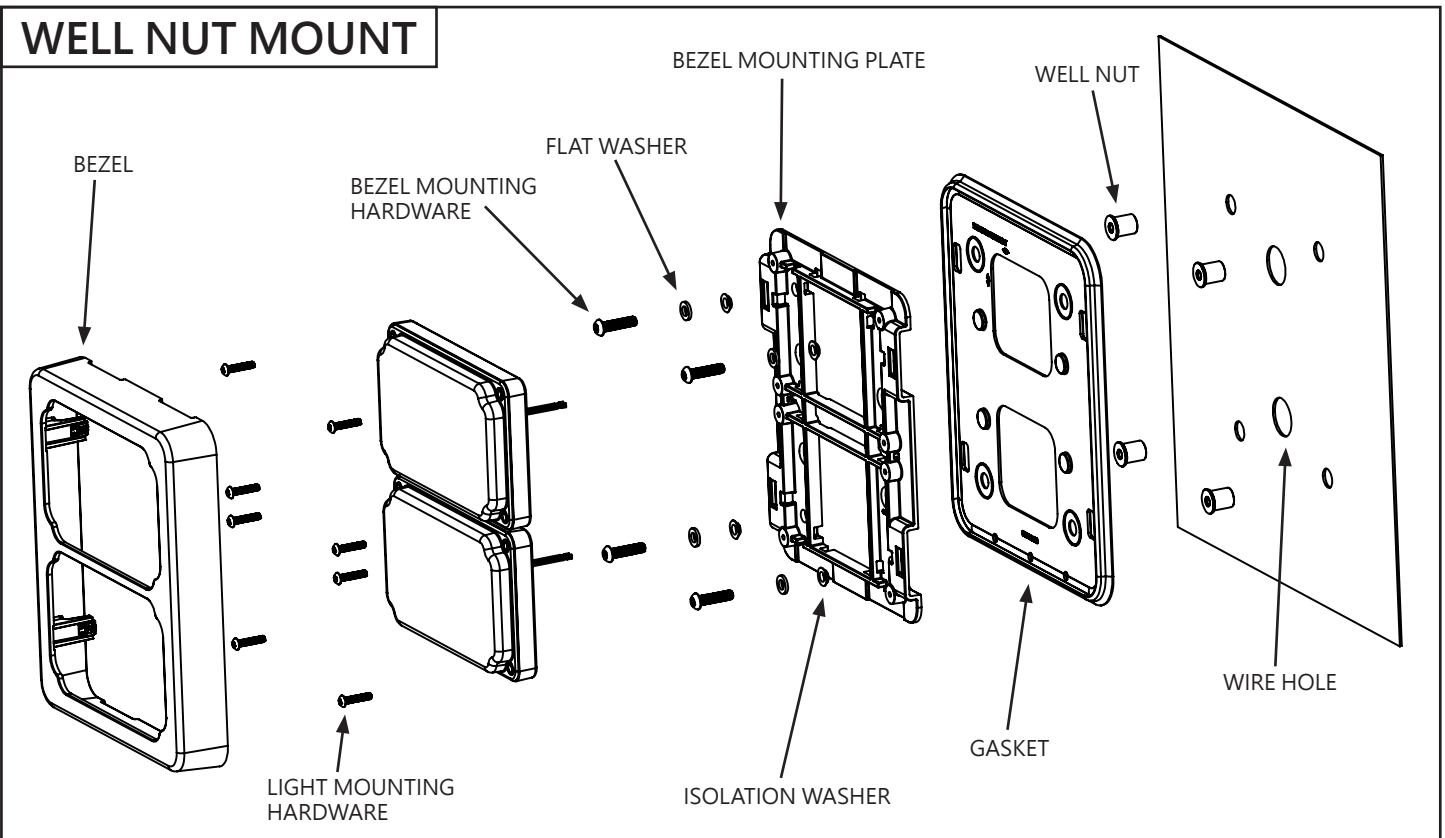
6. Attach the wire harnesses to each P-series light, feed the wire harnesses into the wire pass-thru holes in the vehicle panel.
 7. Attach the P-series lights onto the mounting plate using the provided light mounting hardware. Tighten screws until fully seated. Do not overtighten.
 8. Mount the bezel to the mounting plate by aligning the posts and clips on the bezel with the receptacles on the mounting plate. Firmly press each corner of the bezel to secure the clips. Ensure the bezel is fully seated on the mounting plate and the lip of the gasket is free and even all the way around. The cut-outs on the top and bottom of the bezel should be fully covered by the lip of the gasket.
- PRO TIP: If necessary, run a small, non-marking pry tool along the base of the bezel to easily stretch the lip of the gasket around the edges of the bezel.**
9. Ensure bezel assembly is secure and test the function of the P-series lights.

PPS7BZL12X
6X4 2 MODULE

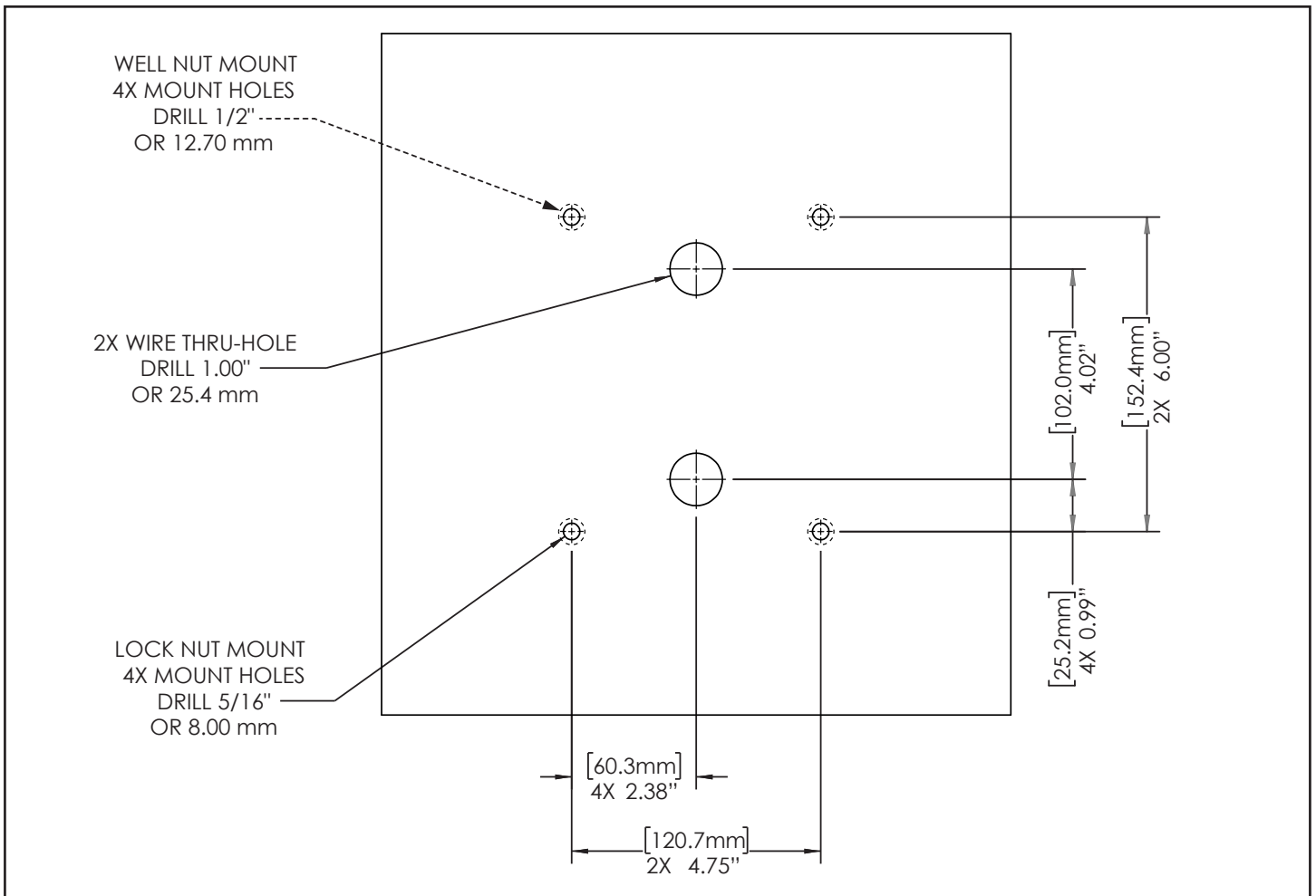
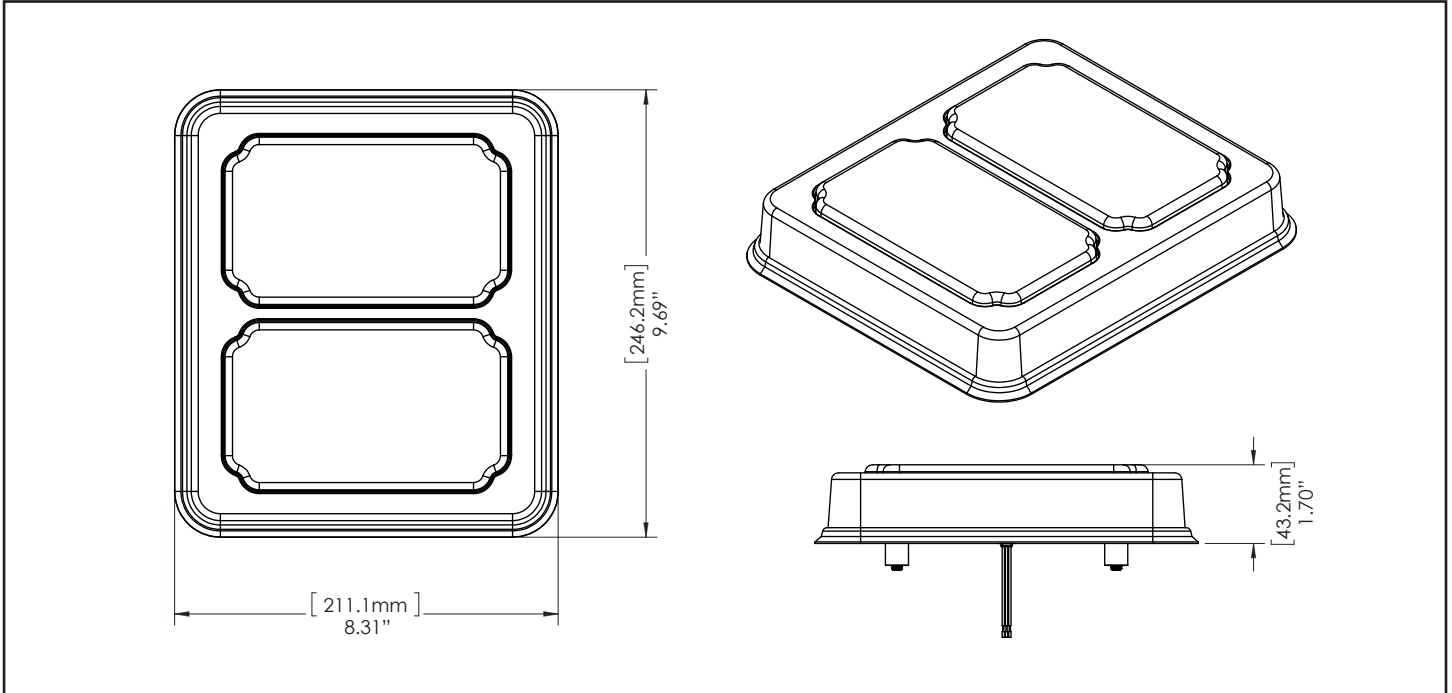
LOCK NUT MOUNT



WELL NUT MOUNT

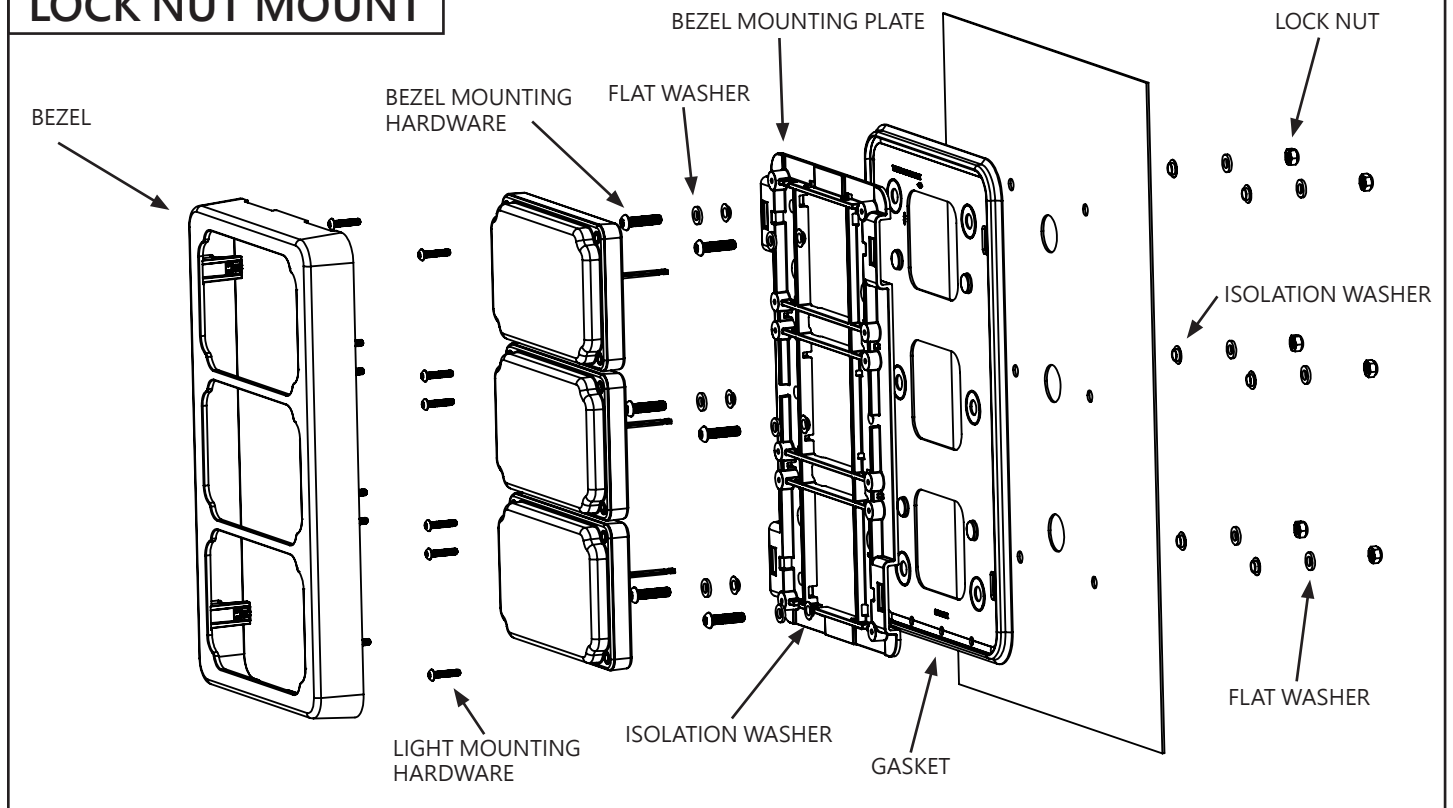


PPS7BZL12X
6X4 2 MODULE

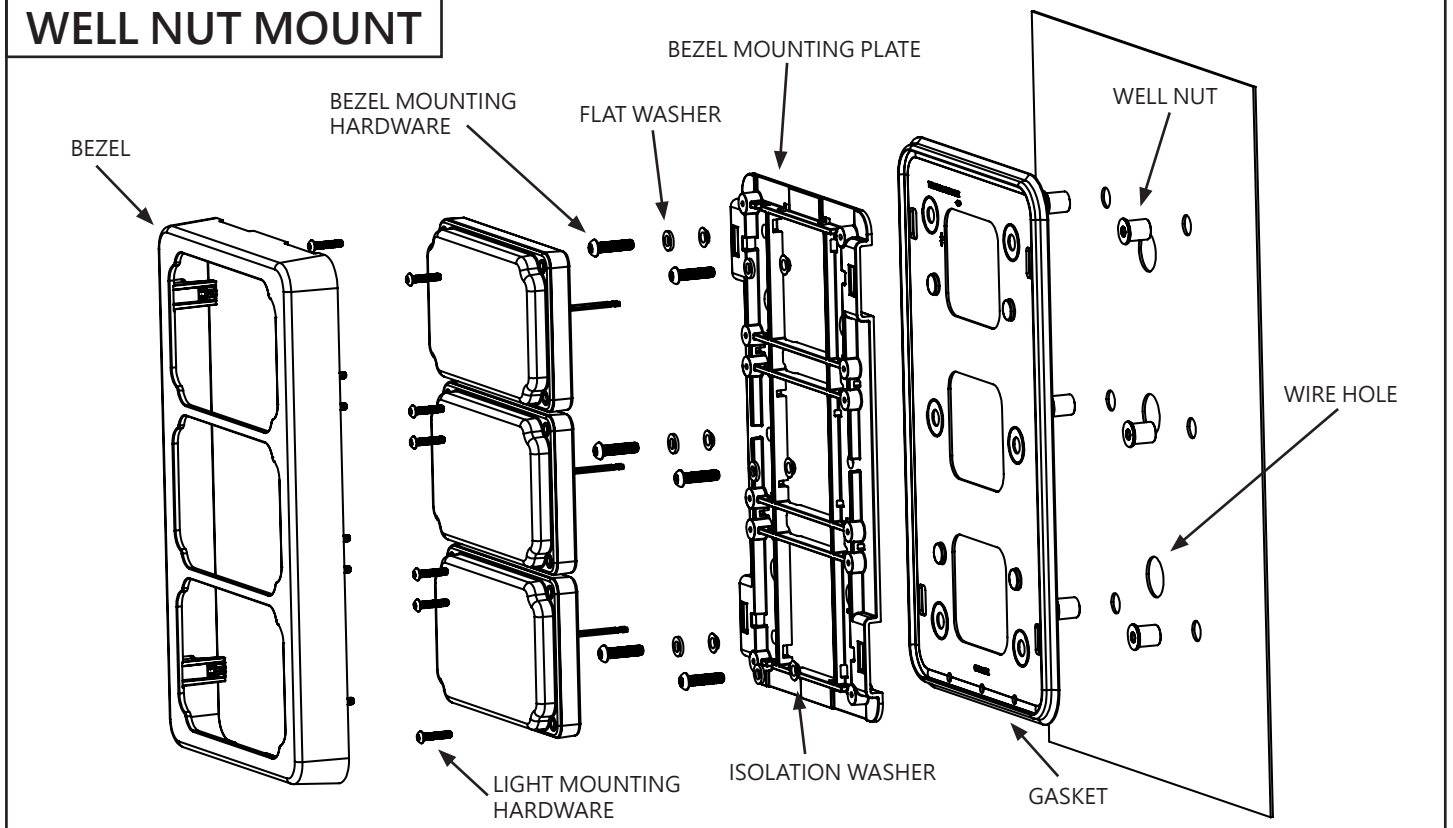


PPS7BZL12X MOUNT TEMPLATE
NOT TO SCALE, FOR REFERENCE ONLY

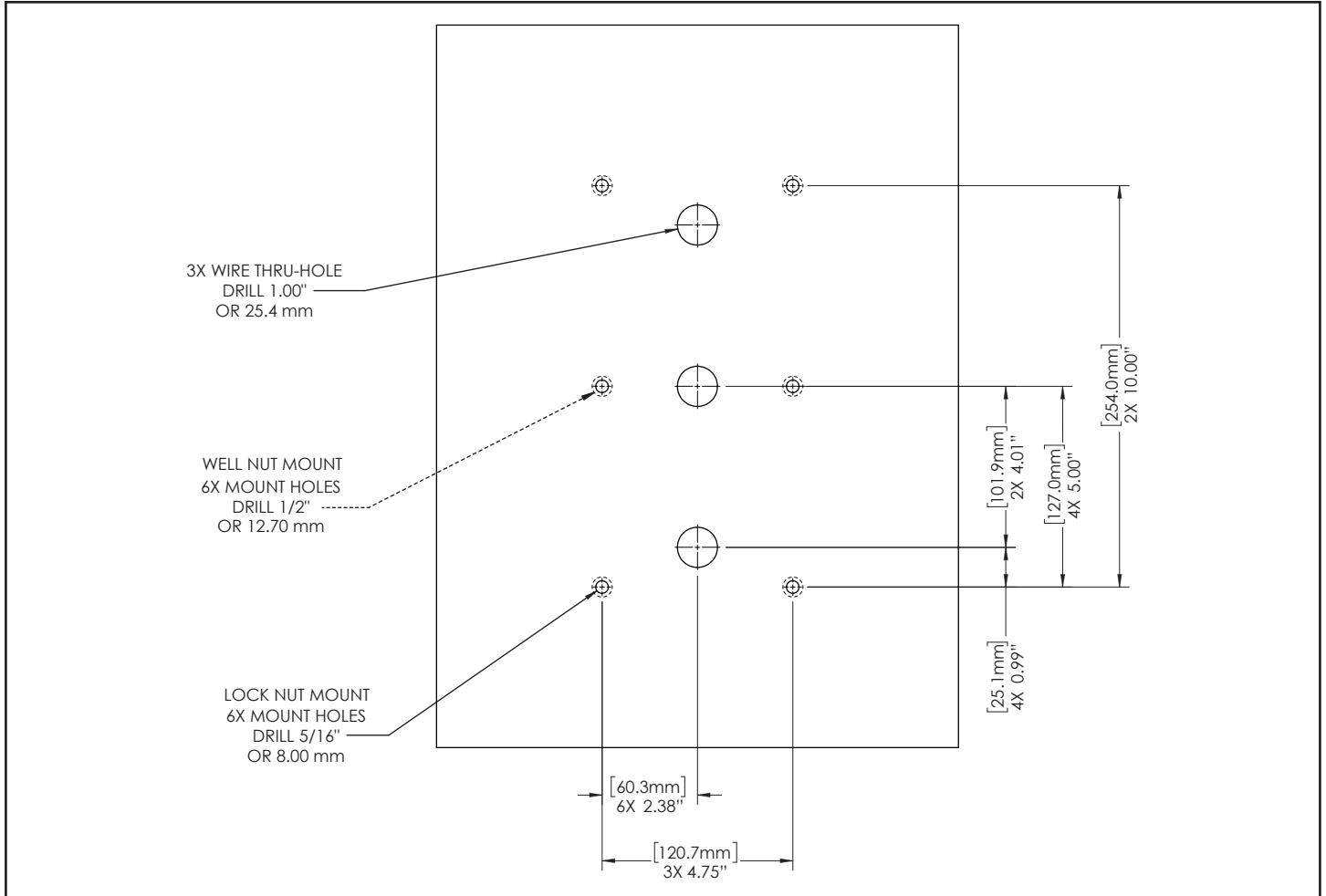
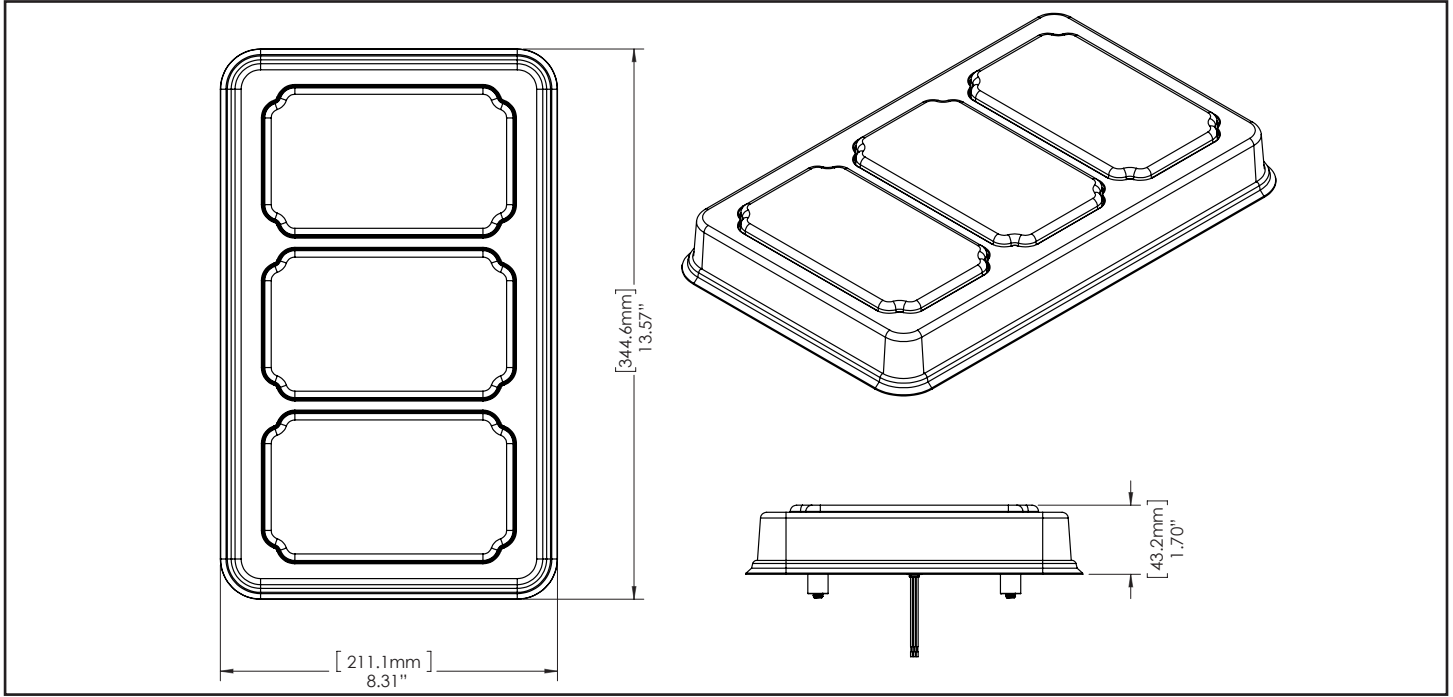
LOCK NUT MOUNT



WELL NUT MOUNT

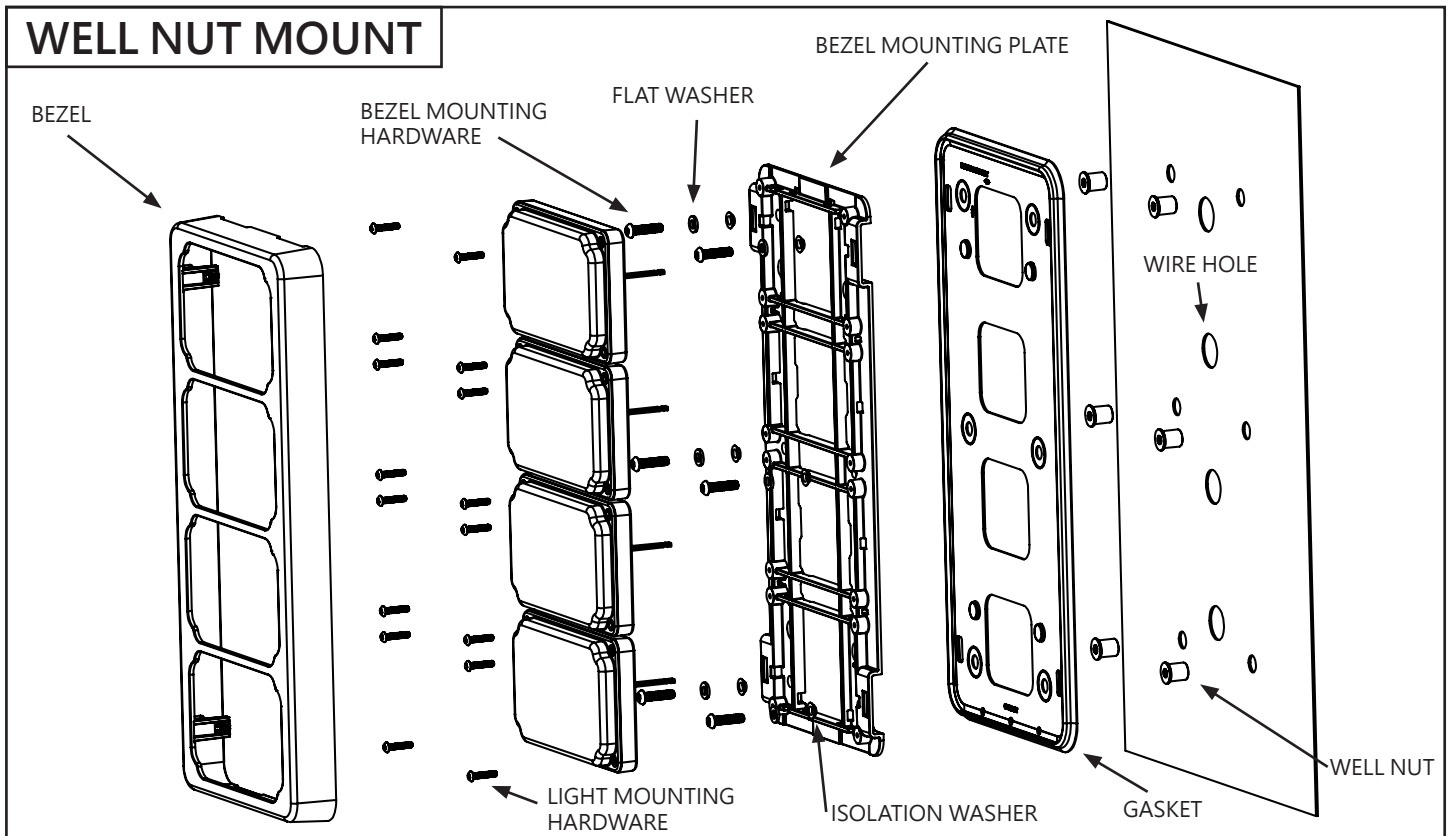
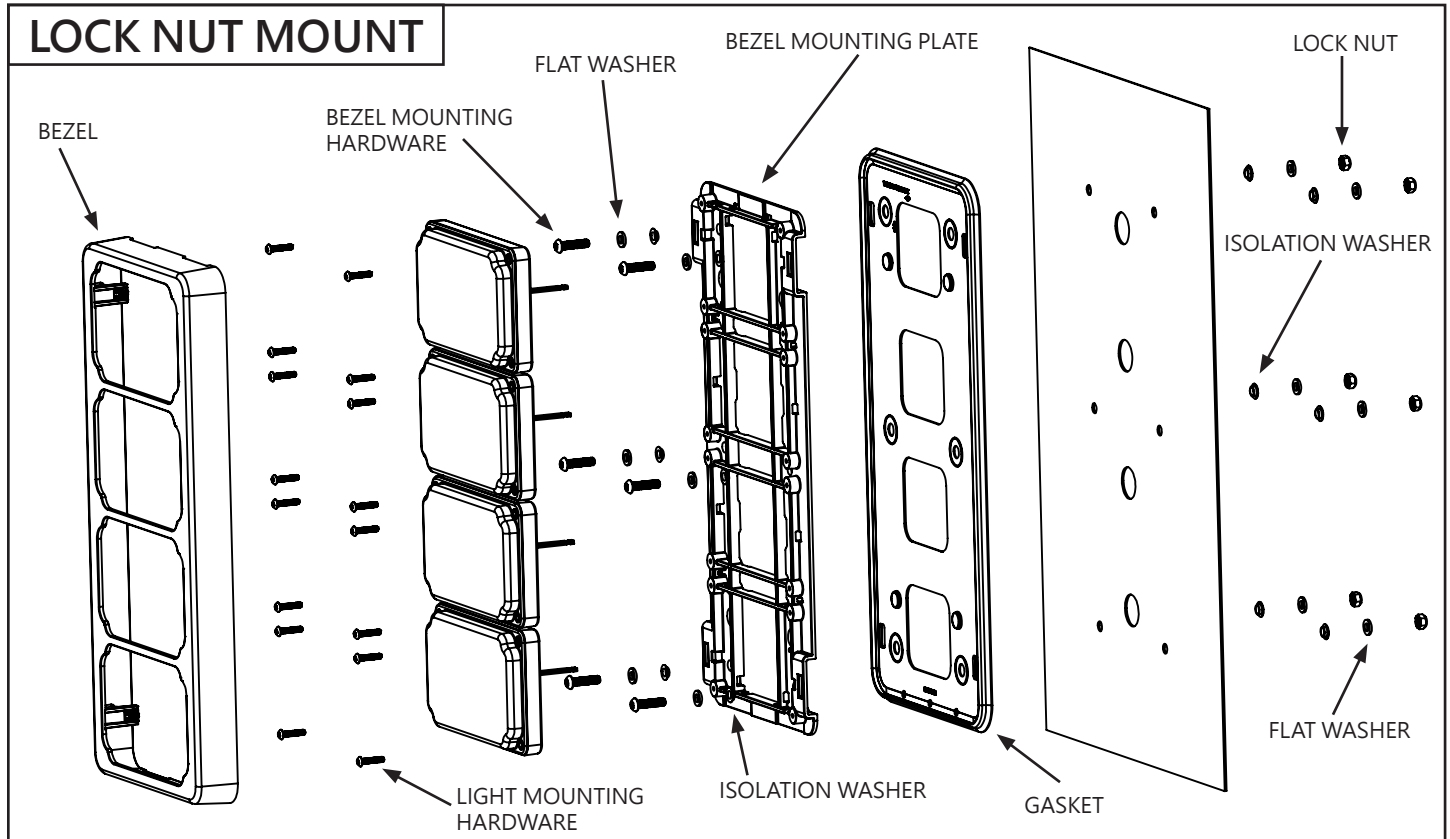


PPS7BZL13X
6X4 3 MODULE

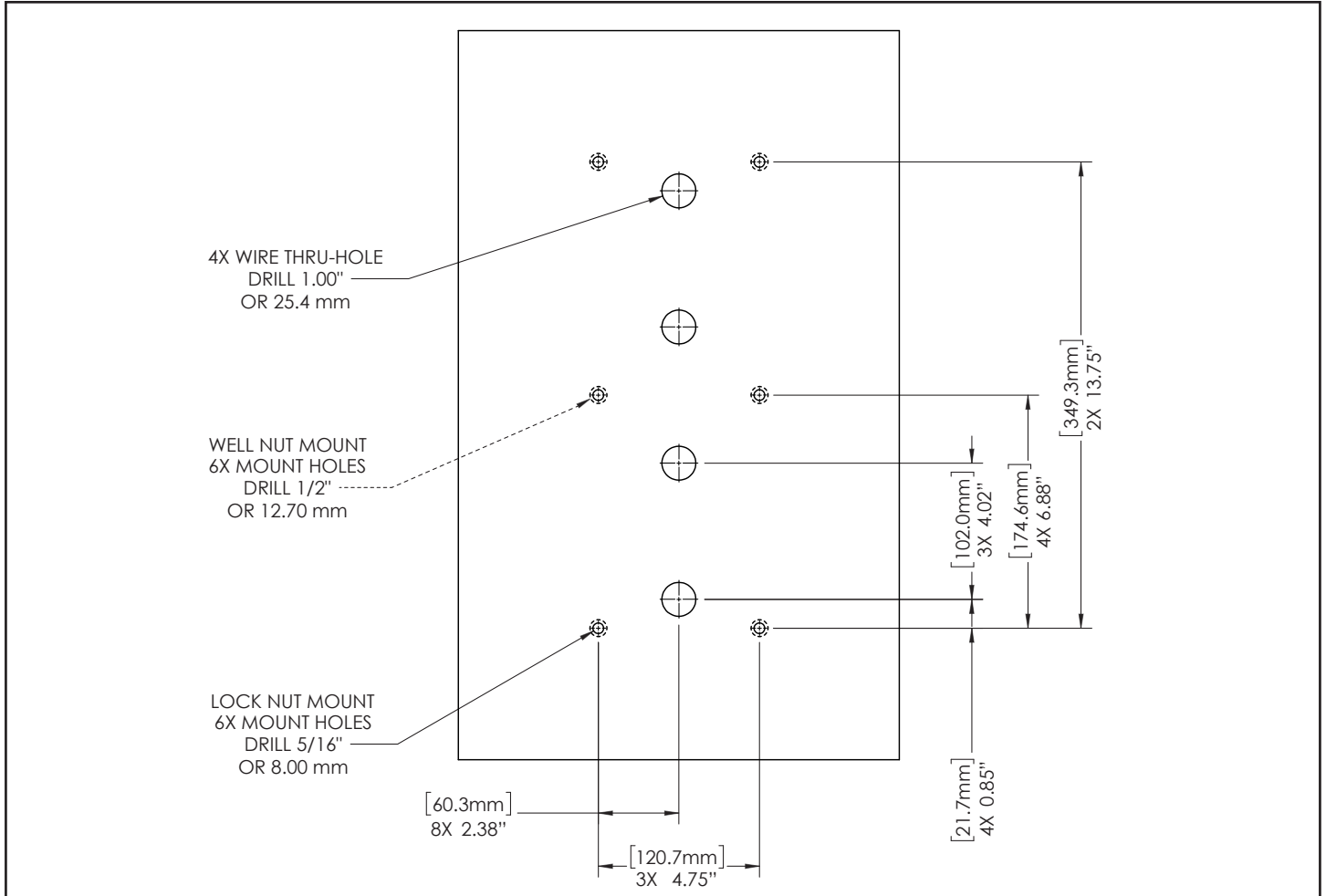
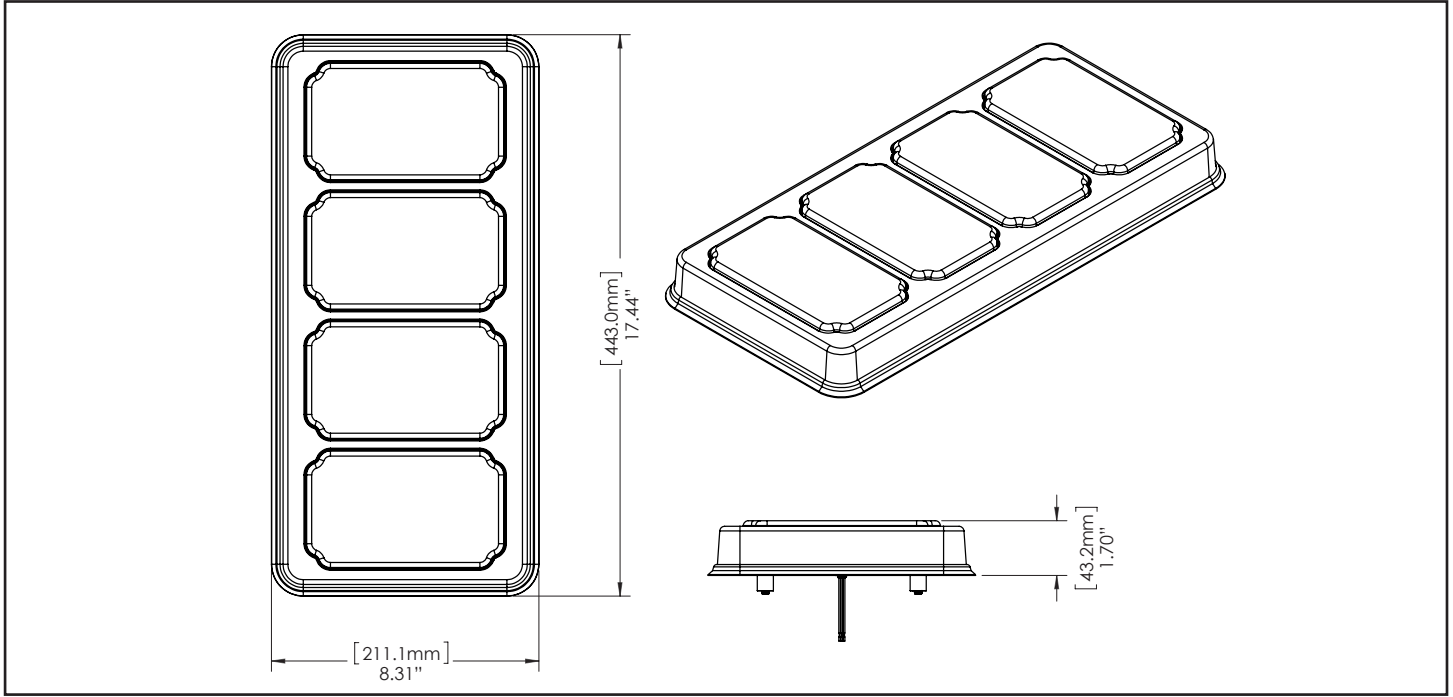


PPS7BZL13X MOUNT TEMPLATE
 NOT TO SCALE, FOR REFERENCE ONLY

PPS7BZL14X
6X4 4 MODULE

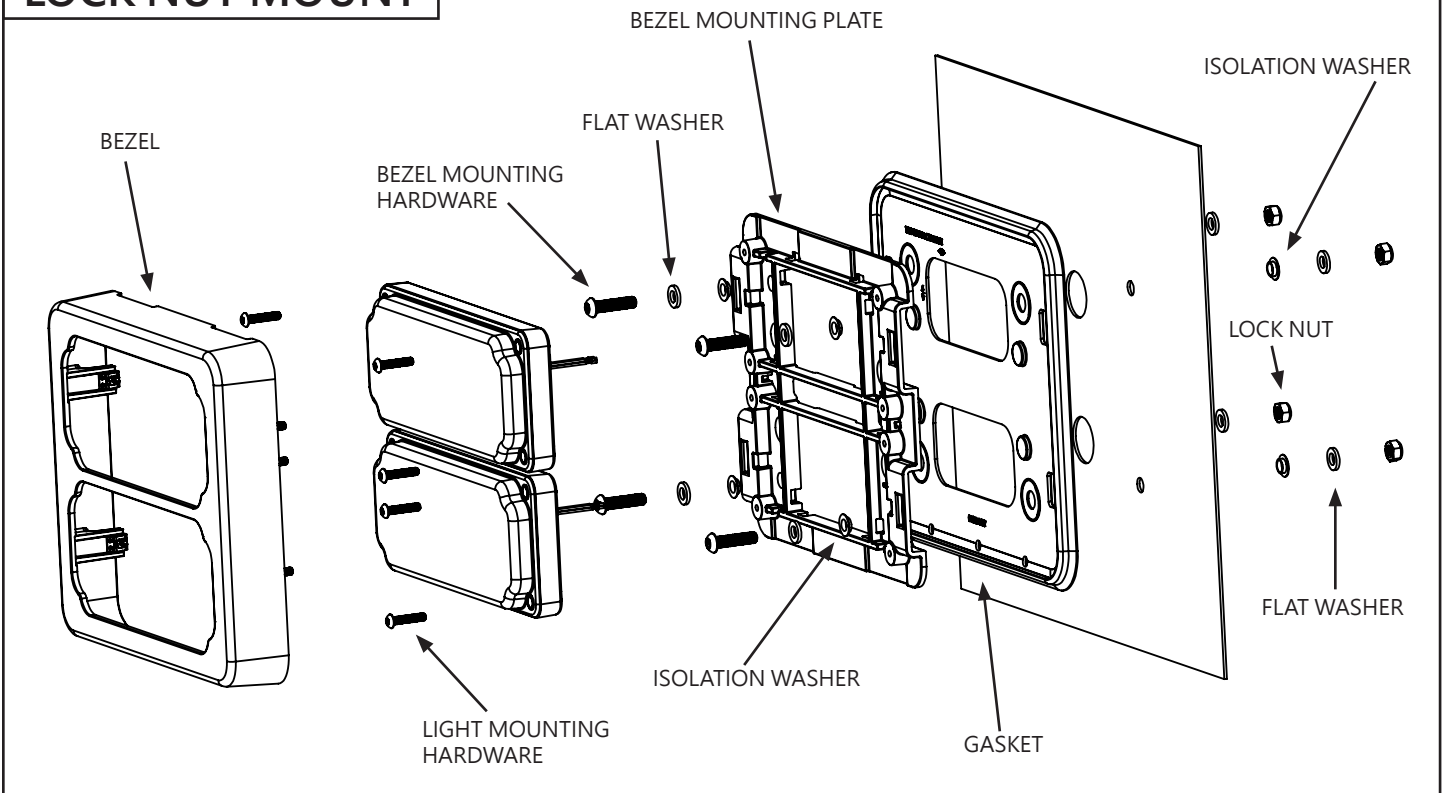


PPS7BZL14X
6X4 MODULE

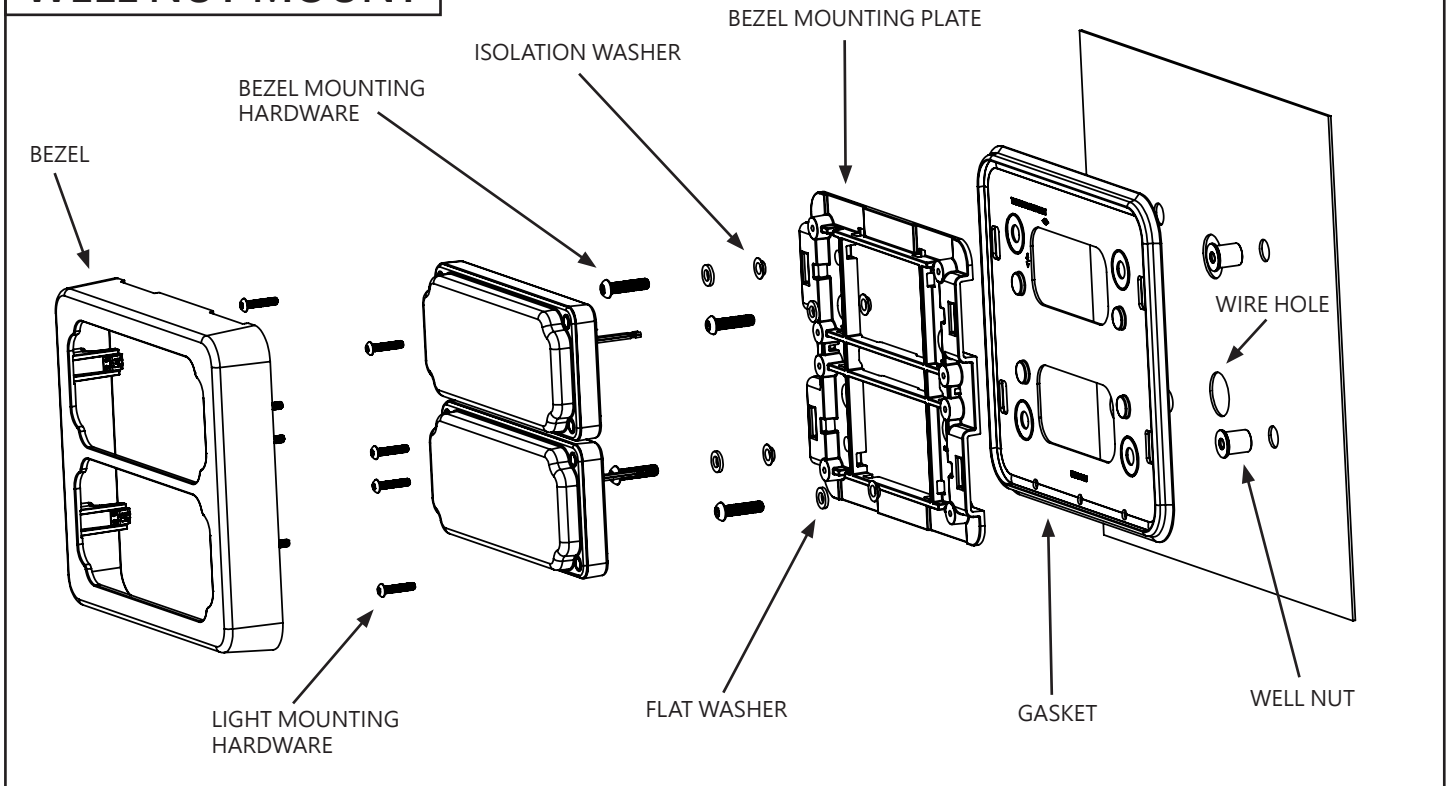


PPS7BZL14X MOUNT TEMPLATE
 NOT TO SCALE, FOR REFERENCE ONLY

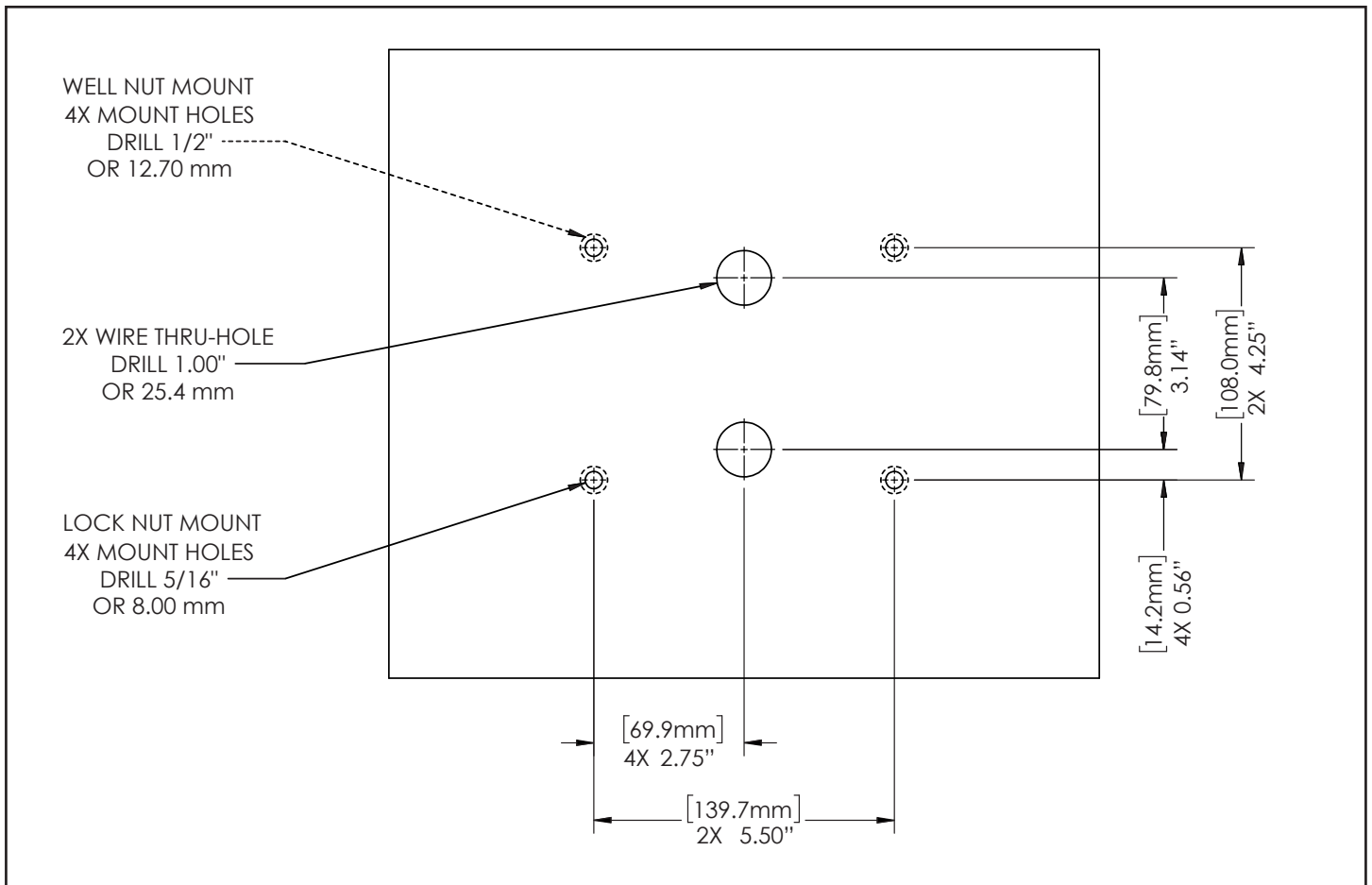
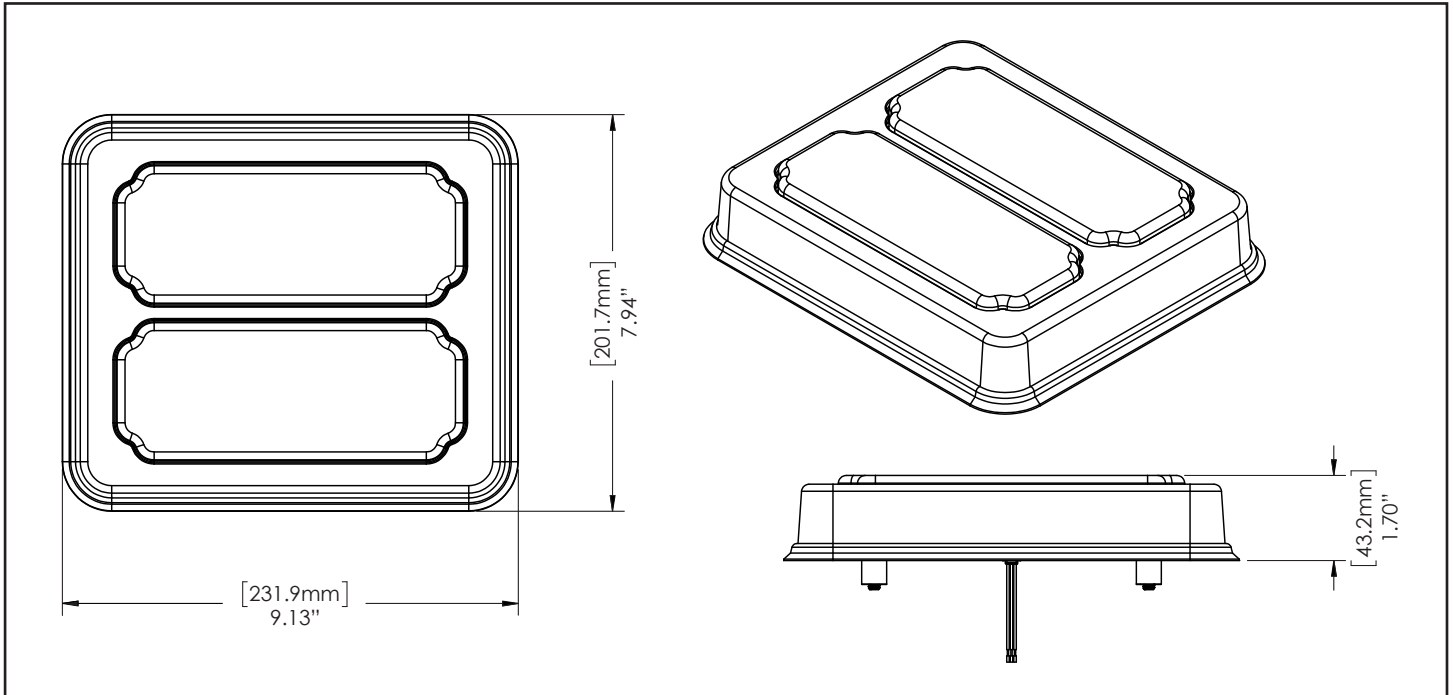
LOCK NUT MOUNT



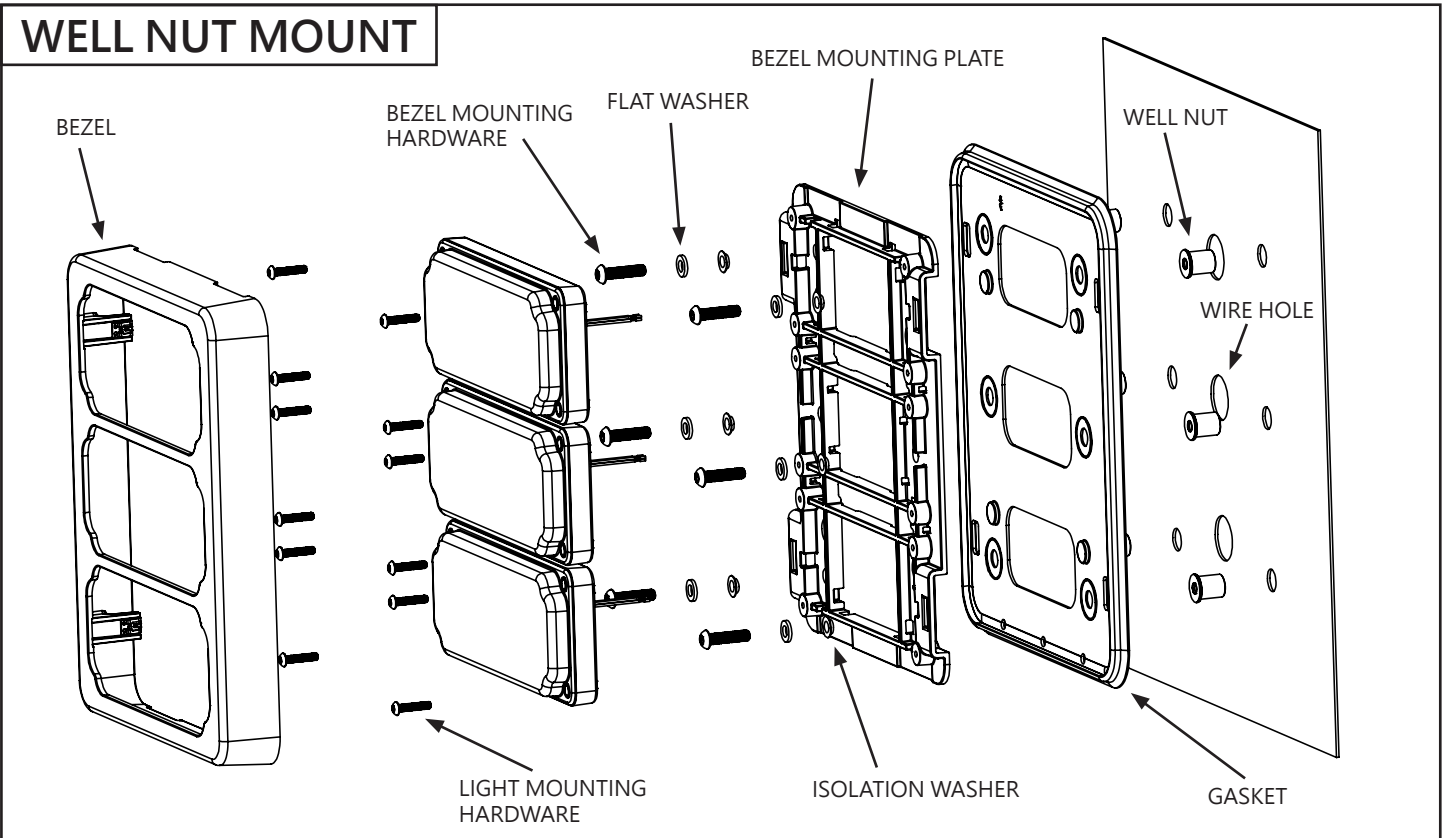
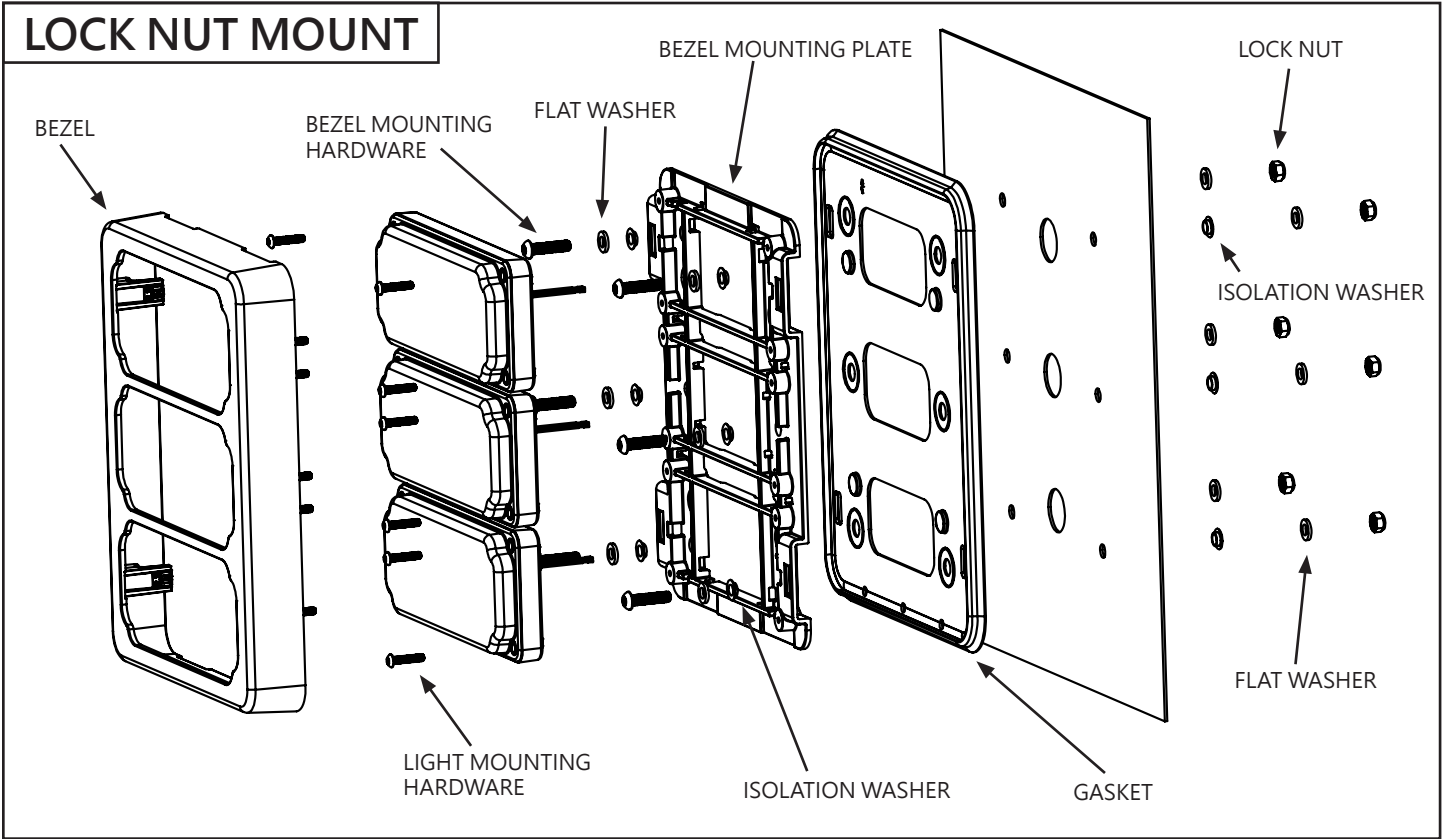
WELL NUT MOUNT



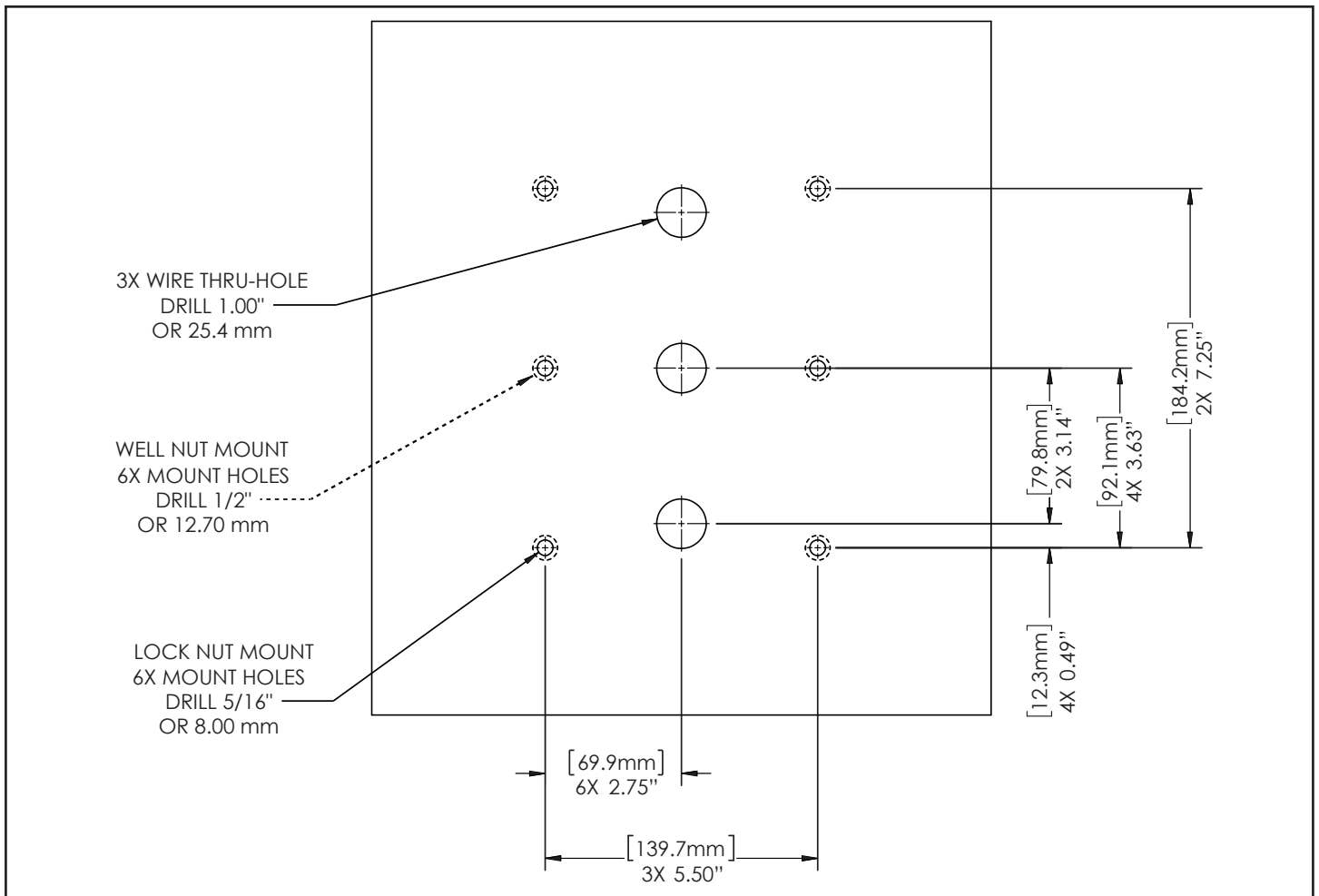
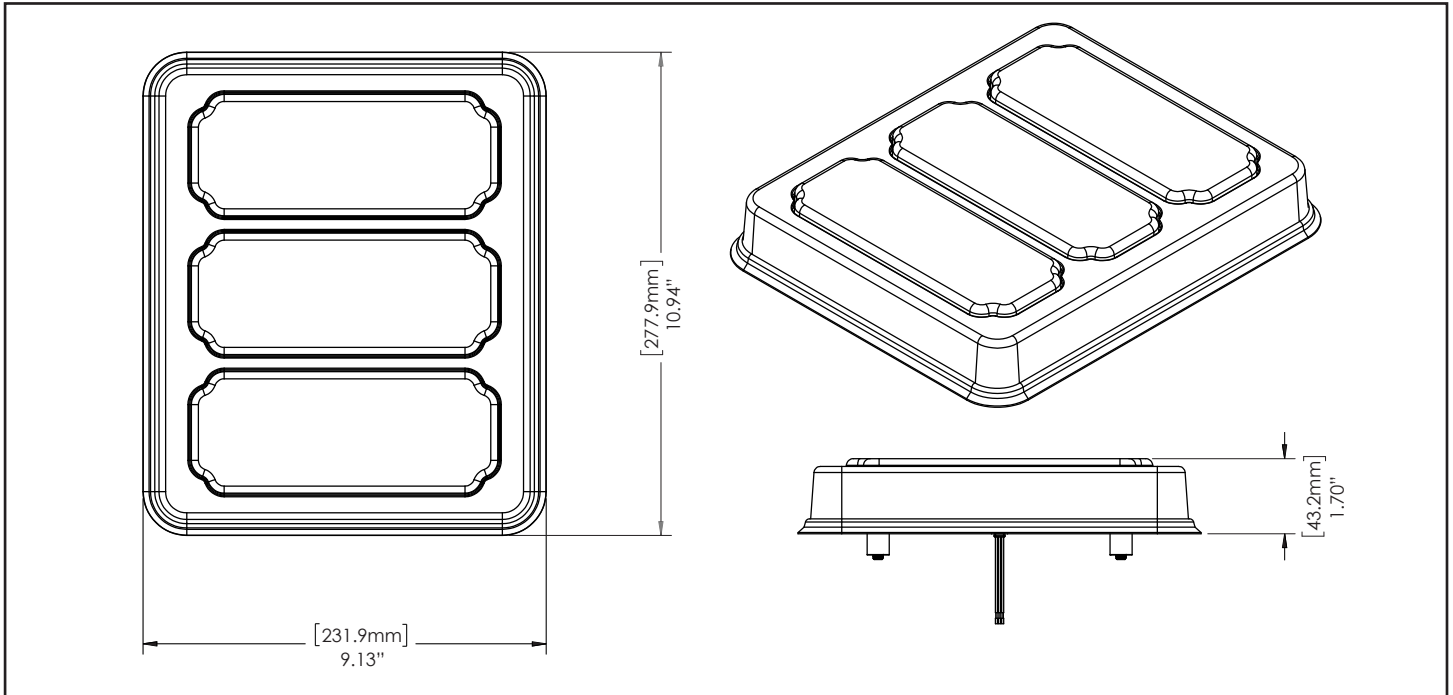
PPS8BZL12X
7X3 2 MODULE



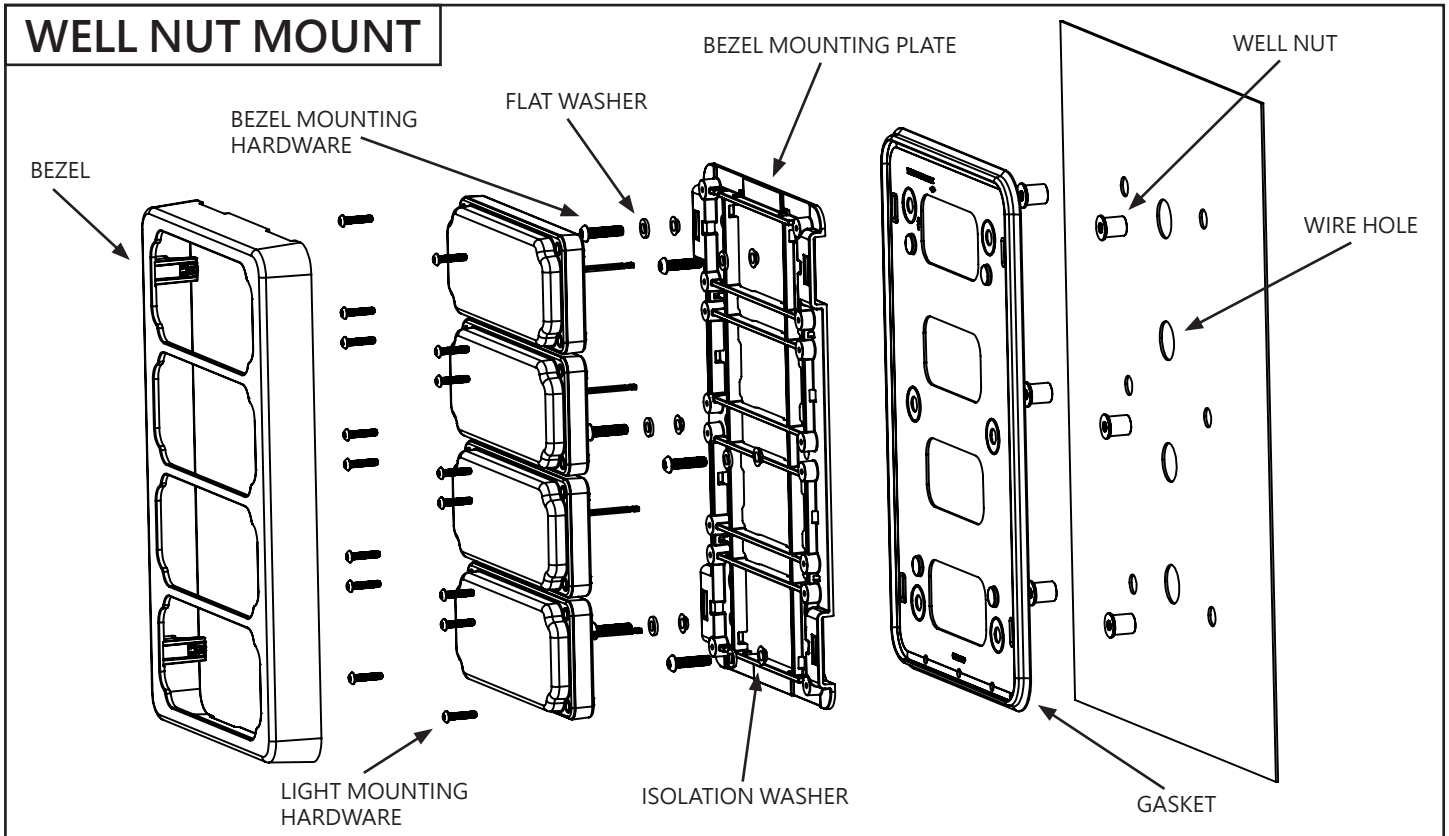
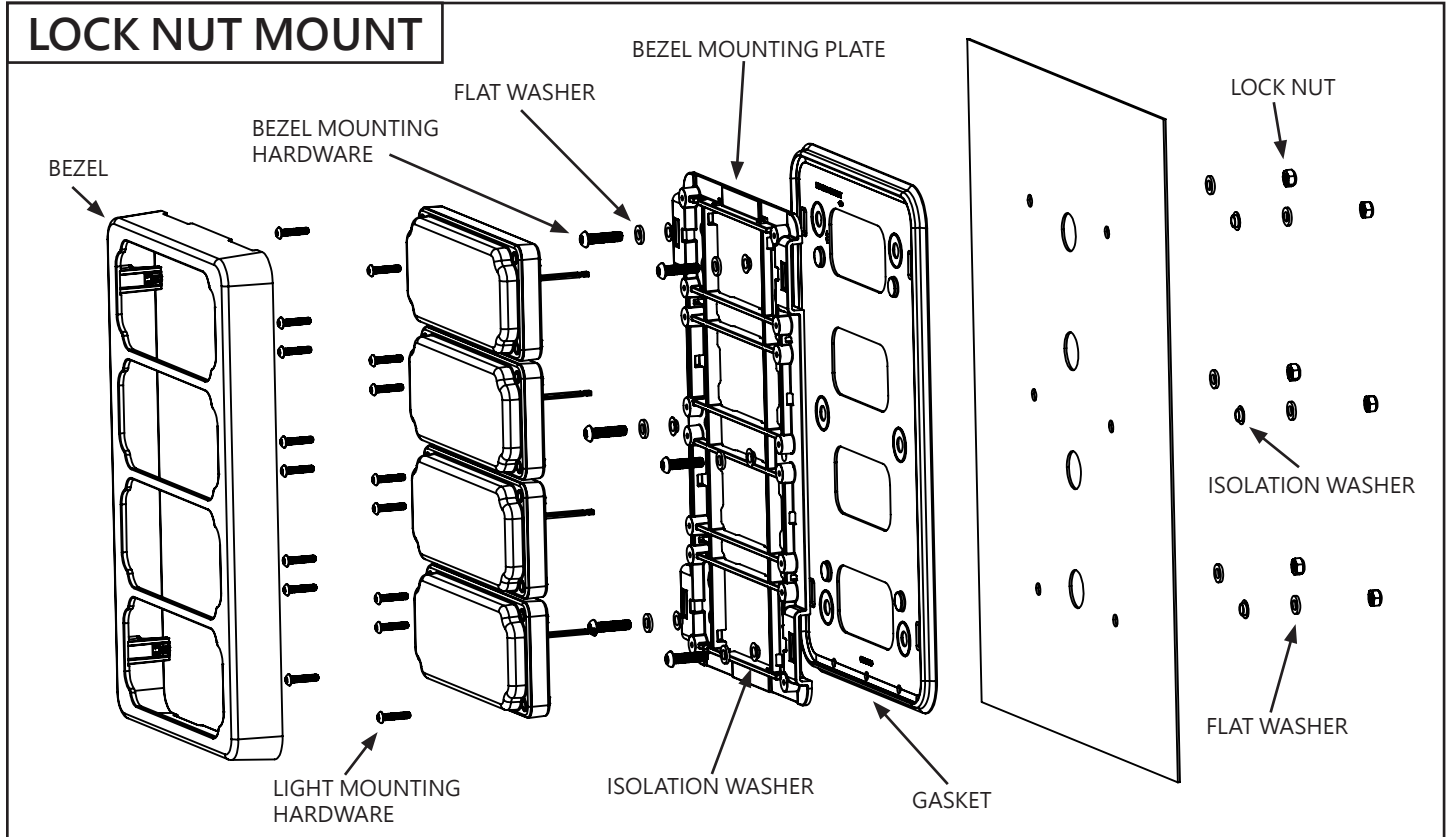
PPS8BZL12X MOUNT TEMPLATE
 NOT TO SCALE, FOR REFERENCE ONLY



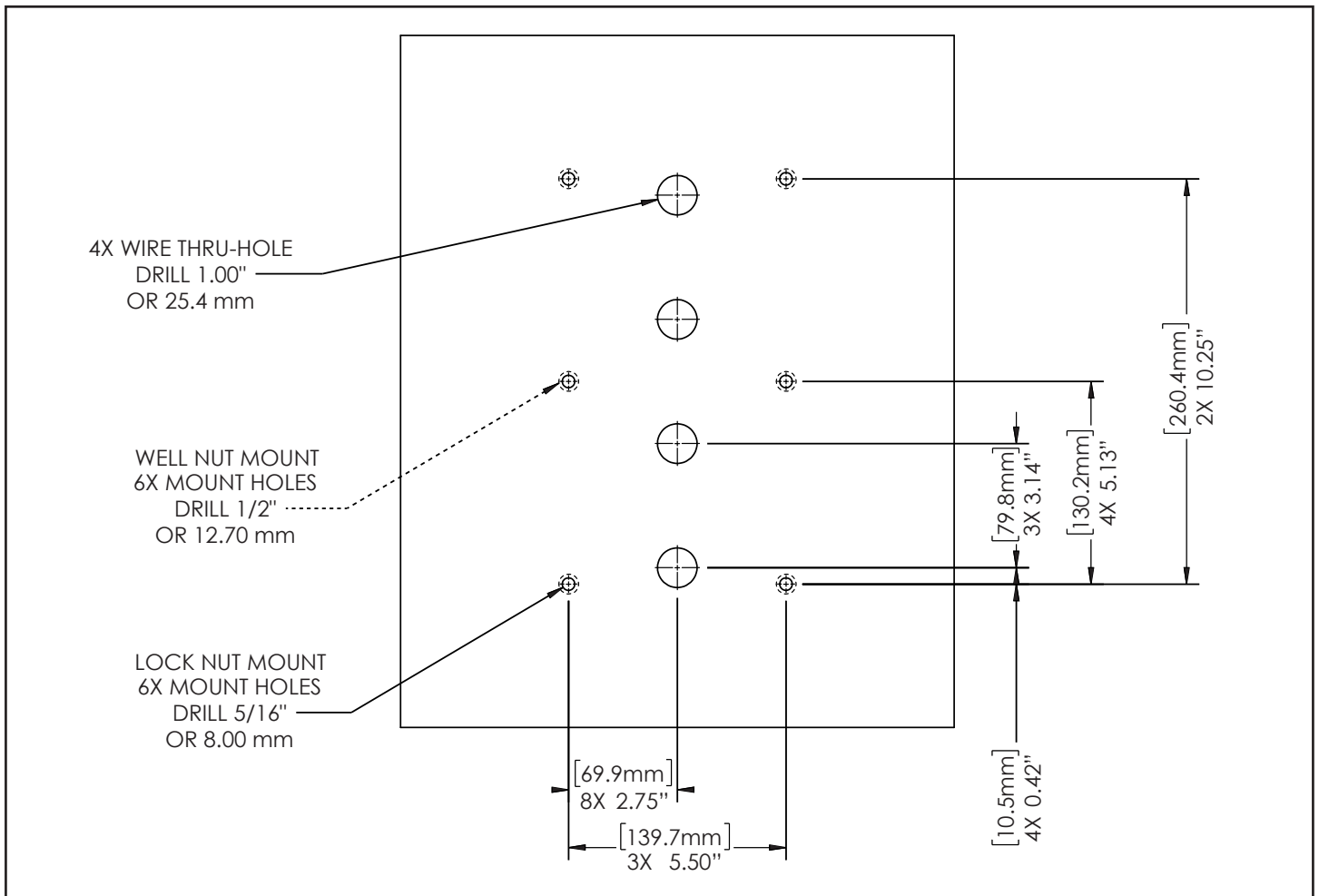
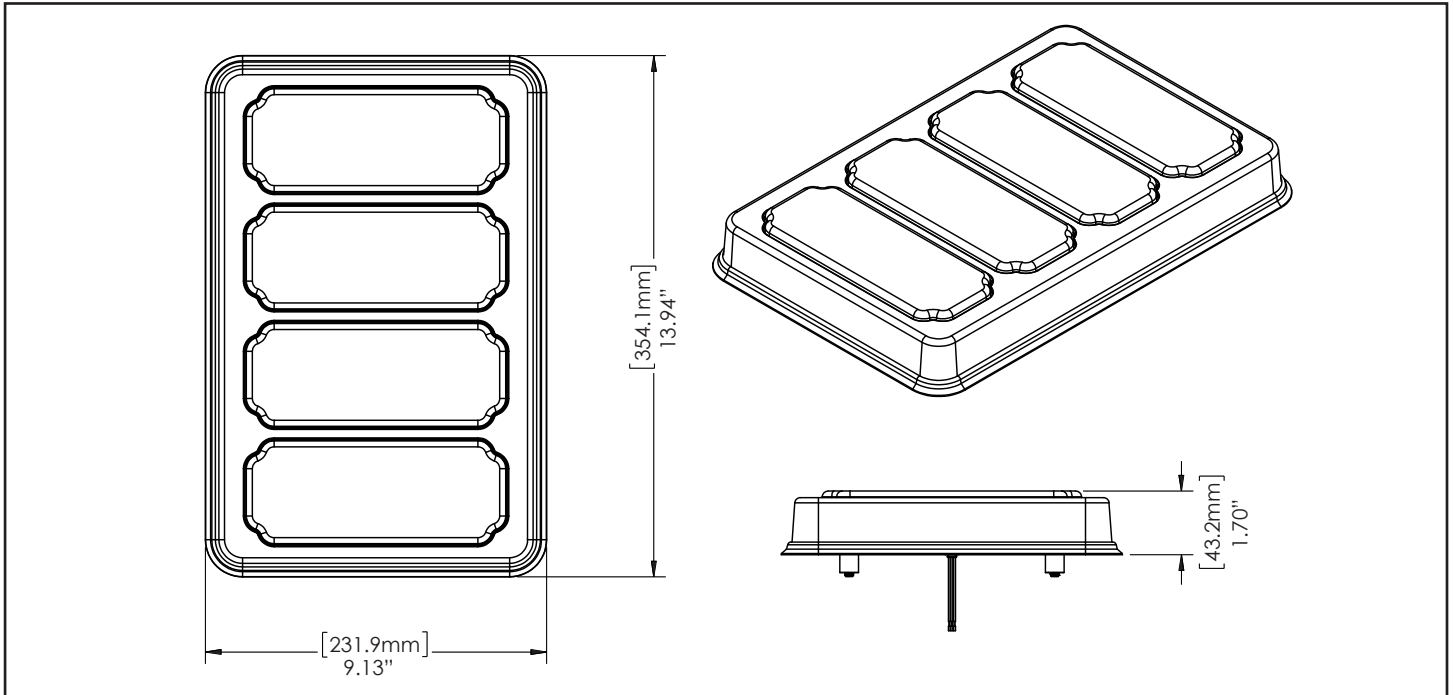
PPS8BZL13X
7X3 3 MODULE



PPS7BZL13X MOUNT TEMPLATE
NOT TO SCALE, FOR REFERENCE ONLY



PPS8BZL14X
7X3 4 MODULE



PPS8BZL14X MOUNT TEMPLATE
 NOT TO SCALE, FOR REFERENCE ONLY