

7X3 MPOWER SERIES, TIPPED BEZEL 2019 - 2022 MERCEDES SPRINTER HIGH ROOF MOUNT

PMP8BZV001C – LEFT HAND MOUNT CHROME

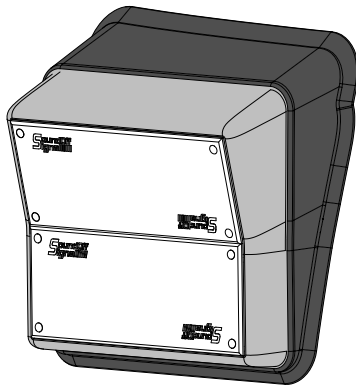
PMP8BZV001B – LEFT HAND MOUNT BLACK

PMP8BZV002C – RIGHT HAND MOUNT CHROME

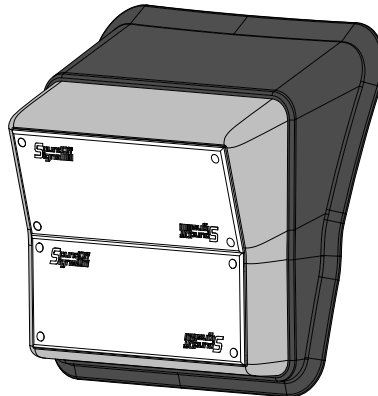
PMP8BZV002B – RIGHT HAND MOUNT BLACK

PMP8BZV003C – SIDE MOUNT CHROME

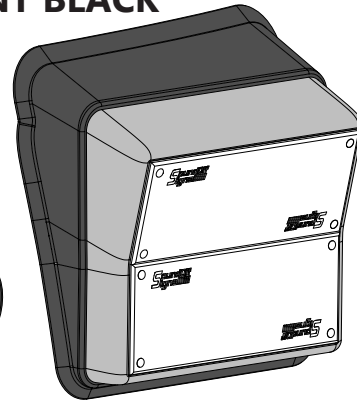
PMP8BZV003B – SIDE MOUNT BLACK



LEFT HAND MOUNT ASSEMBLY
PMP8BZV001X



SIDE MOUNT ASSEMBLY
PMP8BZV003X



RIGHT HAND MOUNT ASSEMBLY
PMP8BZV002X

WARNING

- HIGH CURRENT interconnects must be properly terminated. Poor crimp quality can cause heat build-up and fire. Follow crimp connector manufacturer instructions.
- DO NOT install this product or route any wires in the Air Bag Deployment Zone. Refer to vehicle Owner's Manual for deployment zones.
- Do NOT use system to disconnect headlights, brake lights or other safety equipment.
- Unit may become hot to touch during normal operation.
- Failure to properly install connectors, fuses or wiring may cause vehicle failure or fire.
- Installation must only be performed by trained technician. Installer must determine vehicle wiring configuration and proper integration of system.
- Use proper wire gauge. All power wires connecting to positive (+) or negative (-) battery terminal or local chassis ground (-) must be sized to supply at least 125% of max. current and properly fused at power source.
- Install protective grommets when routing wire through firewall or metal.

NOTICE:

Installers and users must comply with all applicable federal, state and local laws regarding use and installation of warning devices. *Improper use or installation may void warranty coverage. To review our Limited Warranty Statement & Return Policy for this or any SoundOff Signal product, visit our website at www.soundoffsignal.com/tech-services/returns/. If you have questions regarding this product, contact **Technical Services**, Monday - Friday, 8 a.m. to 5 p.m. ET at **1.800.338.7337** (press #4). Questions or comments that do not require immediate attention may be emailed to techservices@soundoffsignal.com.*

INTRODUCTION	2
COMPONENTS	2
INSTALLATION INSTRUCTIONS	2
LEFT HAND / RIGHT HAND ASSEMBLY VIEW	3
SIDE MOUNT ASSEMBLY VIEW	4
LEFT HAND / RIGHT HAND HOLE TEMPLATE	4
SIDE MOUNT ASSEMBLY HOLE TEMPLATE	5



mPower Series product page



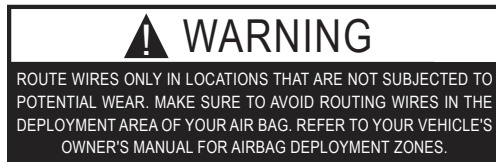
1.800.338.7337 / www.soundoffsignal.com

ENHANCING SAFETY THROUGH INNOVATION

INTRODUCTION:

- Versatile bezel with incorporated 15 degrees of down angle for improved perimeter lighting
- Seamless combination of dual 7X3 mPower series firelights
- Tough metal construction with fitted silicone gasket
- Easily mount to compatible* Mercedes Sprinter High Roof vans

*Compatible Mercedes Sprinter model year 2019-2022



CONTAINS		
ITEM #	COMPONENT	QTY.
1	MERCEDES SPRINTER MOUNT GASKET	1
2	BEZEL	1
3	LIGHT MOUNTING HARDWARE	8
4	BEZEL MOUNTING HARWARE	4
5	LOCK NUT	4
6	FLAT WASHER	8
7	ISOLATION WASHER	8
8	INSTALLATION INSTRUCTION SHEET	1
9	PRODUCT WARNING CARD	1
10	CA PROP 65 LABEL	1

INSTALLATION:

1. Identify desired location on vehicle for mounting of bezel. Reference attached mounting guide for recommended mount locations.
2. Using the provided gasket as a template, mark the (4) mounting locations. Ensure the assembly is level and that the area on the interior of the drill location is clear of wires and other obstructions. Remove any interior panels according to manufacturer recommendations prior to drilling.

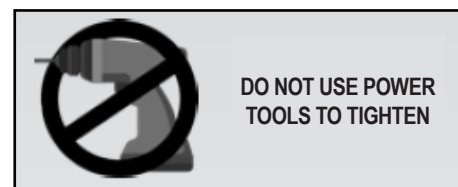
PRO TIP: Before drilling, place non-marking tape over each drill location to protect the vehicle finish.

3. Drill clearance holes for the provided 1/4-20" hardware. Ensure edges of drilled holes are cleaned and deburred.
4. While holding the gasket and bezel in place, mark the panel at the center point location of the lower light for wire pass-through. Drill a 0.75" (19mm) hole. Clean and deburr edges of drilled hole.

NOTE: The bezel incorporates cut-outs that allow the wire from the upper, tipped 7X3 mpower to be run to the lower 7X3 mpower for wire pass-through.

5. Mount the bezel and gasket to the vehicle using the provided hardware. Ensure the bezel is fully seated on the gasket and the lip of the gasket is even all the way around.

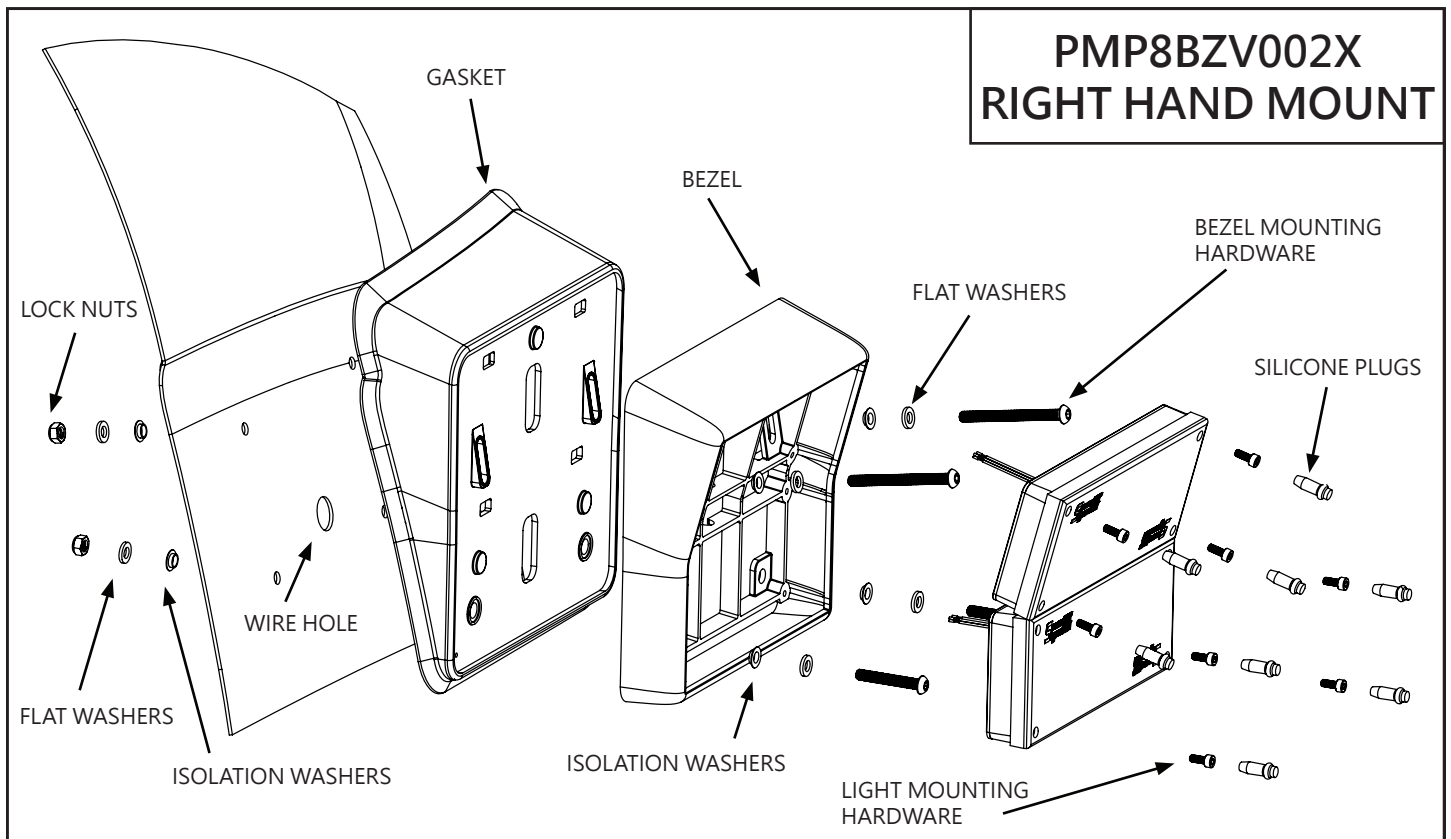
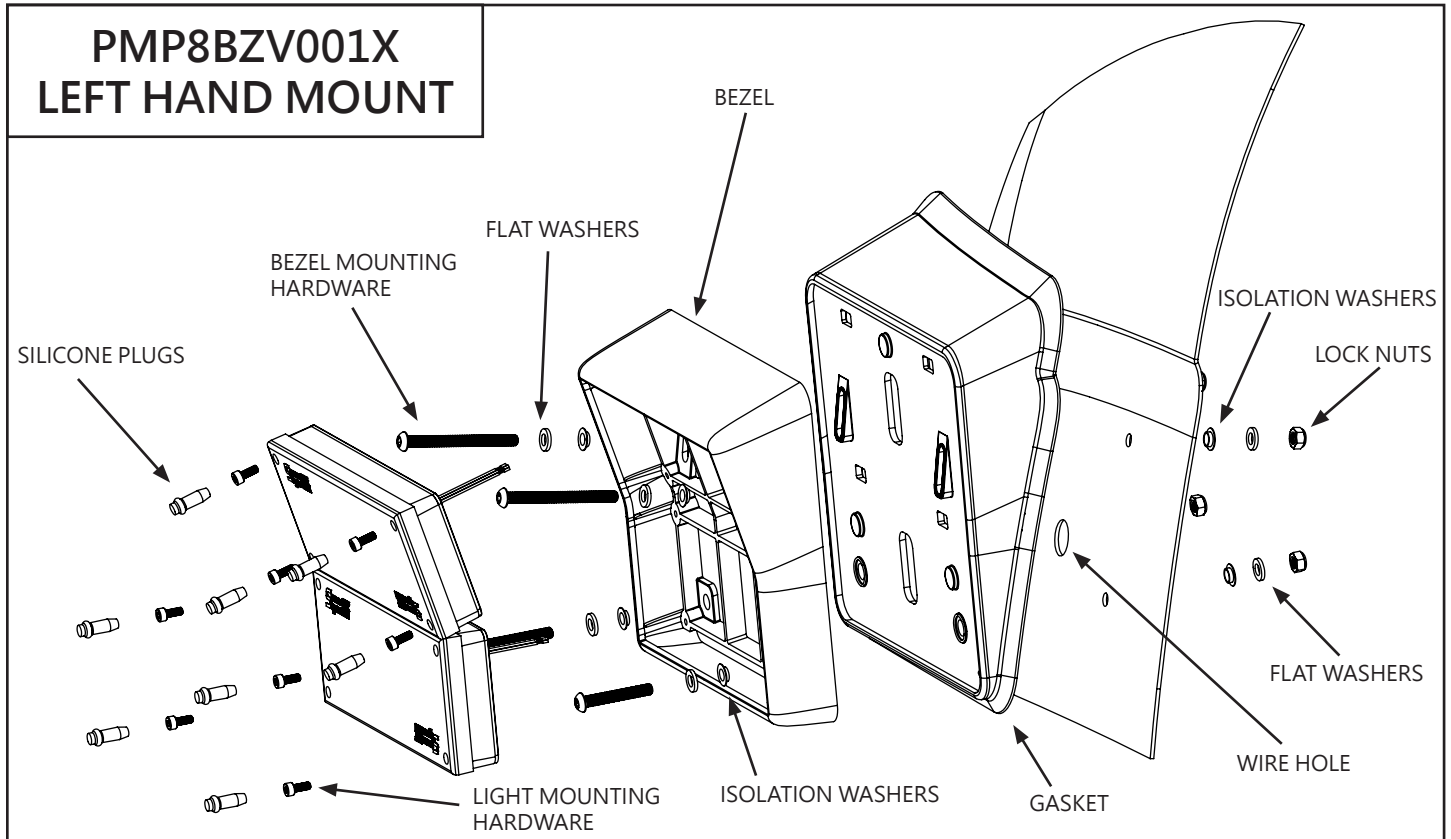
6. Torque each mounting fastener to 35 in-lbs (3.95 N-m). Do not overtighten.



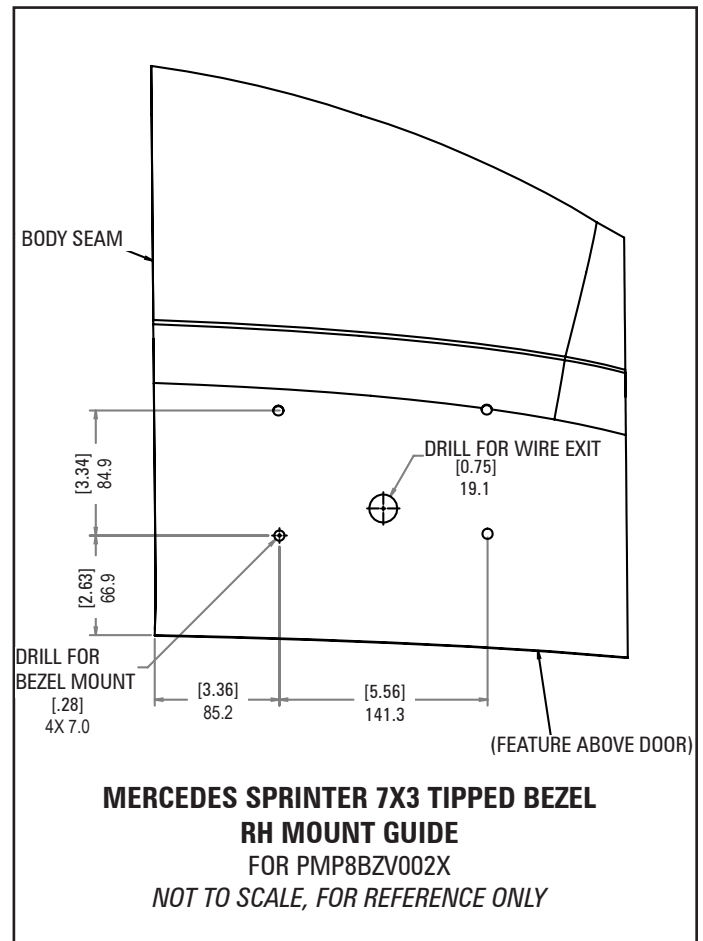
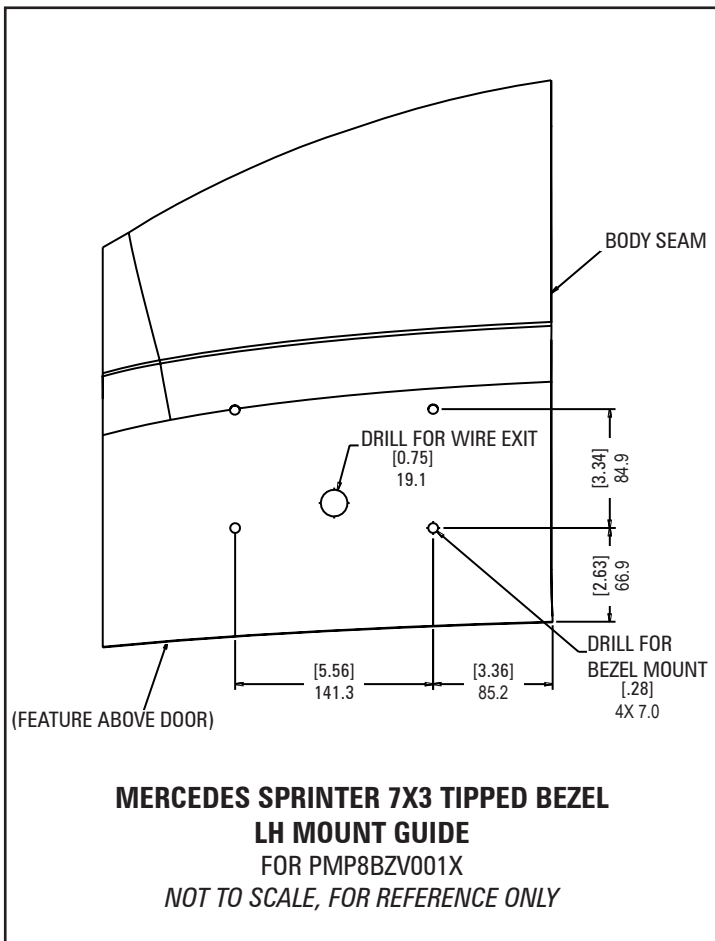
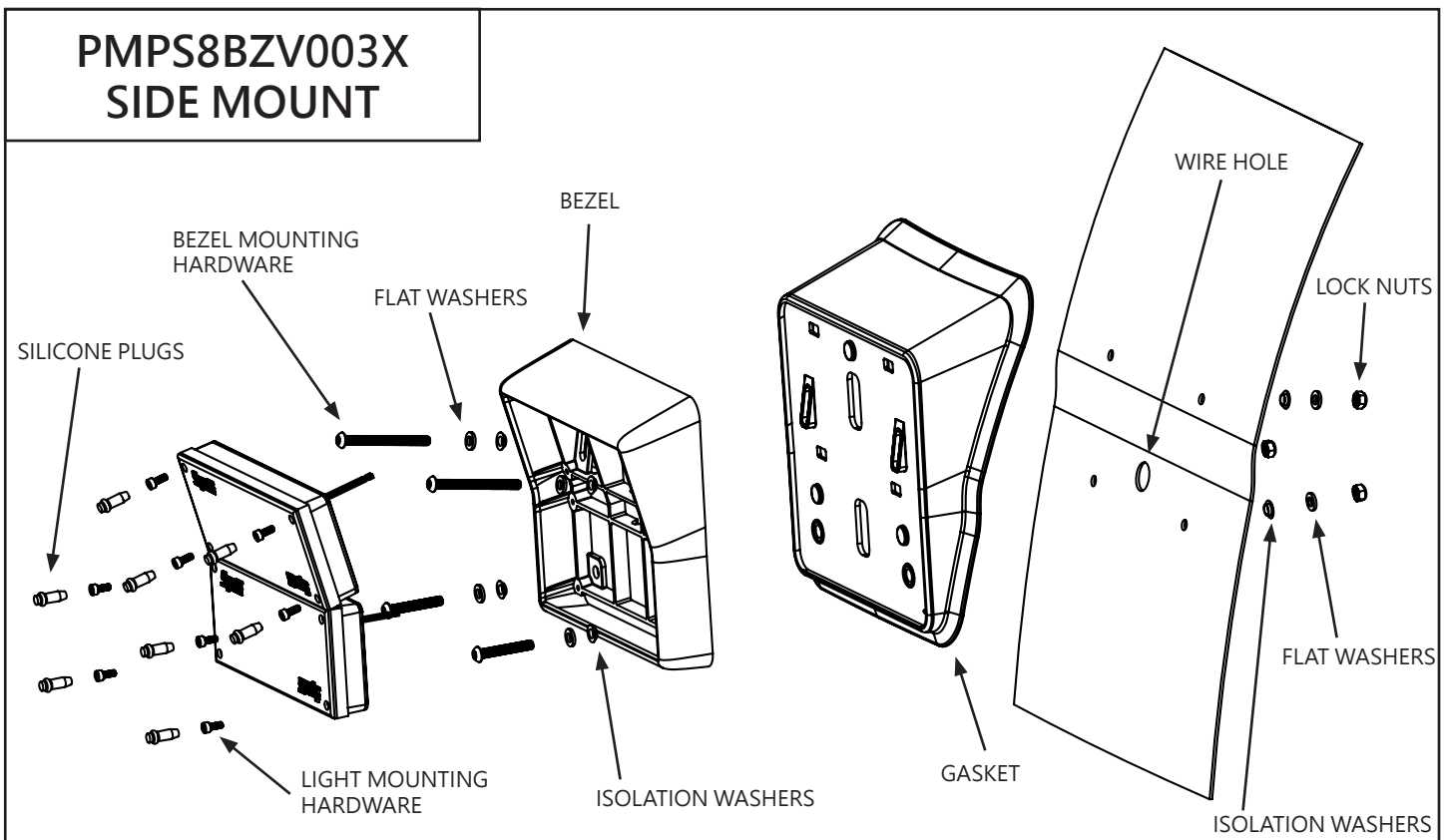
7. Attach the wire harnesses to each 7X3 mpower light, feed the wires from the upper, tipped 7X3 mpower light through the wire pass-through in the bezel, and feed both wire harnesses into the wire pass-through hole in the vehicle panel. Push both 7X3 mpower lights into place.
8. Install the (2) 7X3 mpower lights into the bezel using the provided light mounting hardware. Tighten (8) screws until fully seated. Do not overtighten.
9. Insert (8) silicone plugs into the 7X3 mpower lights to seal screw holes. (Use a 50% Isopropyl alcohol, 50% deionized water mix for lubrication if necessary).

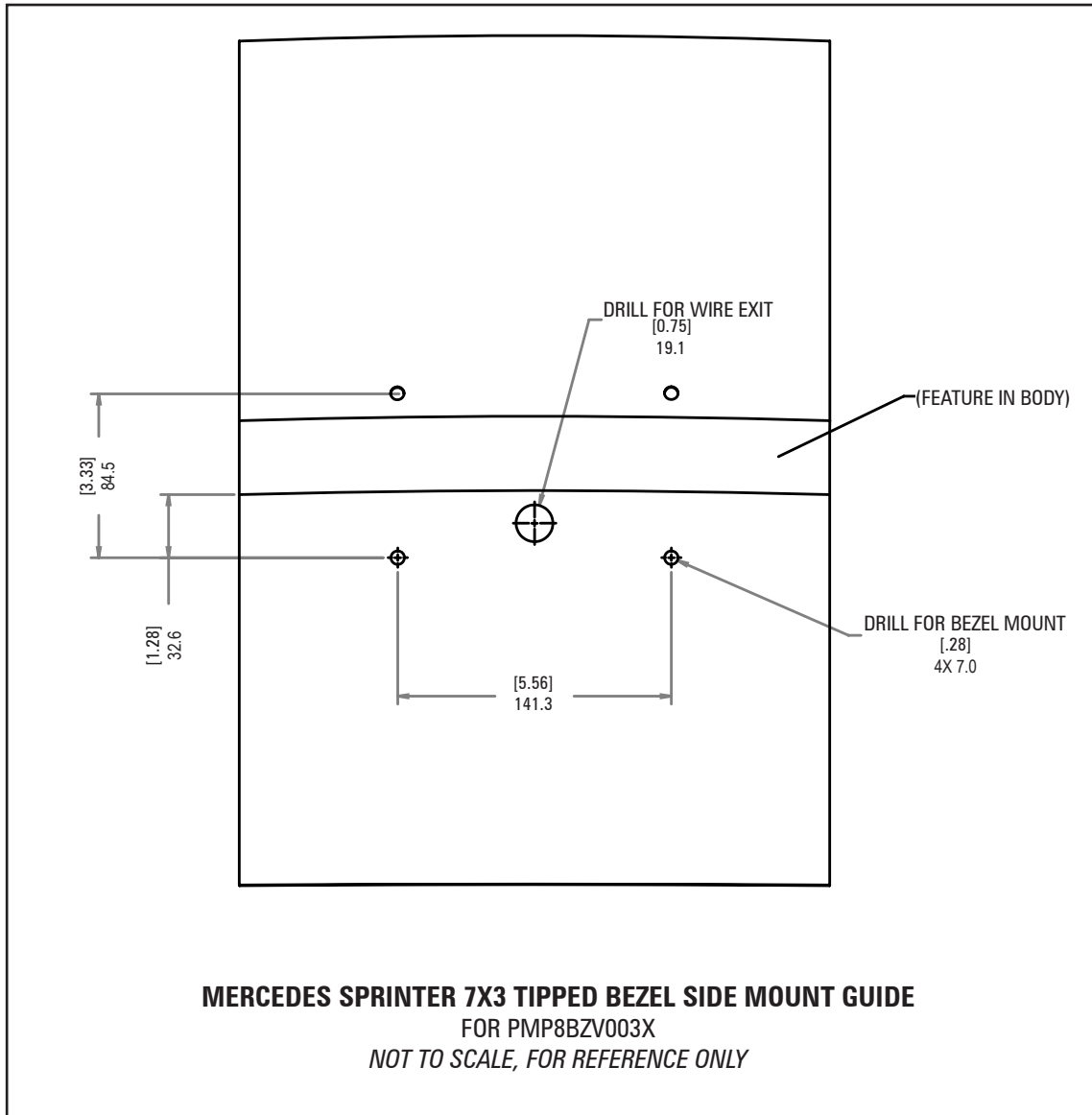
CAUTION: Petroleum/Silicone based lubricants will cause the silicone lens to discolor.

10. Ensure bezel assembly is fully seated and test function of the 7X3 mpower lights.



7X3 MPOWER SERIES, TIPPED MERCEDES SPRINTER MOUNT //





NOTICE:

Installers and users must comply with all applicable federal, state and local laws regarding use and installation of warning devices.

Improper use or installation may void warranty coverage.

To review our Limited Warranty Statement & Return Policy for this or any SoundOff Signal product, visit our website at www.soundoffsignal.com/tech-services/returns/.

If you have questions regarding this product, contact **Technical Services**, Monday - Friday, 8 a.m. to 5 p.m. ET at **1.800.338.7337** (press #4).

Questions or comments that do not require immediate attention may be emailed to techservices@soundoffsignal.com.

ENHANCING SAFETY THROUGH INNOVATION