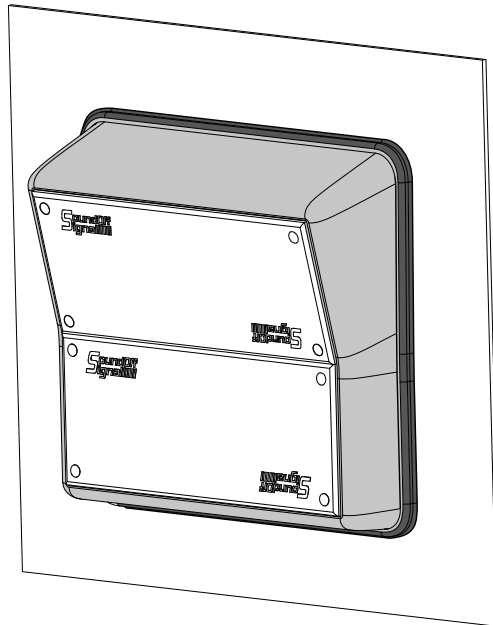


# 7X3 MPOWER SERIES, TIPPED FLAT MOUNT

PMP8BZL32C – CHROME - 7X3 MPOWER SERIES, DOUBLE-STACK, TIPPED BEZEL

PMP8BZL32B – BLACK - 7X3 MPOWER SERIES, DOUBLE-STACK, TIPPED BEZEL



## WARNING

- HIGH CURRENT interconnects must be properly terminated. Poor crimp quality can cause heat build-up and fire. Follow crimp connector manufacturer instructions.
- DO NOT install this product or route any wires in the Air Bag Deployment Zone. Refer to vehicle Owner's Manual for deployment zones.
- Do NOT use system to disconnect headlights, brake lights or other safety equipment.
- Unit may become hot to touch during normal operation.
- Failure to properly install connectors, fuses or wiring may cause vehicle failure or fire.
- Installation must only be performed by trained technician. Installer must determine vehicle wiring configuration and proper integration of system.
- Use proper wire gauge. All power wires connecting to positive (+) or negative (-) battery terminal or local chassis ground (-) must be sized to supply at least 125% of max. current and properly fused at power source.
- Install protective grommets when routing wire through firewall or metal.

### NOTICE:

Installers and users must comply with all applicable federal, state and local laws regarding use and installation of warning devices. *Improper use or installation may void warranty coverage.* To review our *Limited Warranty Statement & Return Policy* for this or any SoundOff Signal product, visit our website at [www.soundoffsignal.com/tech-services/returns/](http://www.soundoffsignal.com/tech-services/returns/). If you have questions regarding this product, contact **Technical Services**, Monday - Friday, 8 a.m. to 5 p.m. ET at **1.800.338.7337** (press #4). Questions or comments that do not require immediate attention may be emailed to [techservices@soundoffsignal.com](mailto:techservices@soundoffsignal.com).

INTRODUCTION . . . . .	2
COMPONENTS . . . . .	2
INSTALLATION INSTRUCTIONS . . . . .	2
LOCK NUT ASSEMBLY VIEW . . . . .	3
WELL NUT ASSEMBLY VIEW . . . . .	3
LOCK NUT HOLE TEMPLATE . . . . .	4
WELL NUT HOLE TEMPLATE . . . . .	4



mPower Series product page

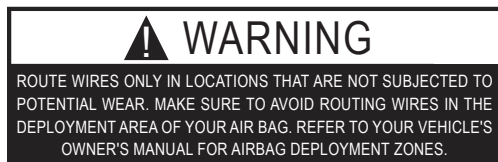


1.800.338.7337 / [www.soundoffsignal.com](http://www.soundoffsignal.com)

ENHANCING SAFETY THROUGH INNOVATION

## INTRODUCTION:

- Versatile bezel with incorporated 15 degrees of down angle for improved perimeter lighting
- Seamless combination of dual 7X3 mPower firelights
- Easily mount to any flat panel
- Tough metal construction with fitted silicone gasket



CONTAINS		
ITEM #	COMPONENT	QTY.
1	BEZEL	1
2	GASKET	1
3	LIGHT MOUNTING HARDWARE	1
4	BEZEL MOUNTING HARWARE	1
5	LOCK NUT	4
6	FLAT WASHER	8
7	ISOLATION WASHER	8
8	INSTALLATION INSTRUCTION SHEET	1
9	PRODUCT WARNING CARD	1
10	CA PROP 65 LABEL	1

## INSTALLATION:

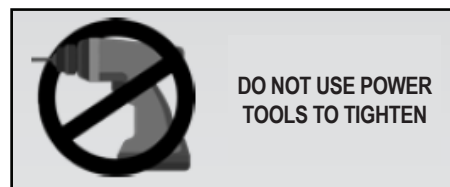
1. Identify desired location on vehicle for mounting of bezel. Reference attached mounting guide for drill instructions.
2. Identify the mounting method that will be used. Well nuts are provided for installations in which the interior of the mounting panel is inaccessible.

**NOTE: Well nuts are only intended for panels with a minimum thickness of 0.015" (0.4mm) and a maximum thickness of 0.125" (3.2mm). For all other applications, use the provided lock nuts.**

3. Using the provided gasket as a template, mark the (4) mounting locations. Ensure the assembly is level and that the area on the interior of the panel is clear of wires and other obstructions before drilling.

**PRO TIP: Before drilling, place non-marking tape over each drill location to protect the vehicle finish.**

4. For installations with lock nuts, drill clearance holes for the provided 1/4-20" hardware. For installations with well nuts, drill 0.5" (12.7mm) holes. Ensure edges of drilled holes are cleaned and deburred.
5. While holding the gasket and bezel in place, mark the panel at the center point location of the lower light for wire pass-through. Drill a 0.75" (19mm) hole. Clean and deburr edges of drilled hole.



6. Mount the bezel and gasket to the vehicle using the provided hardware. Ensure the bezel is fully seated on the gasket and the lip of the gasket is even all the way around.

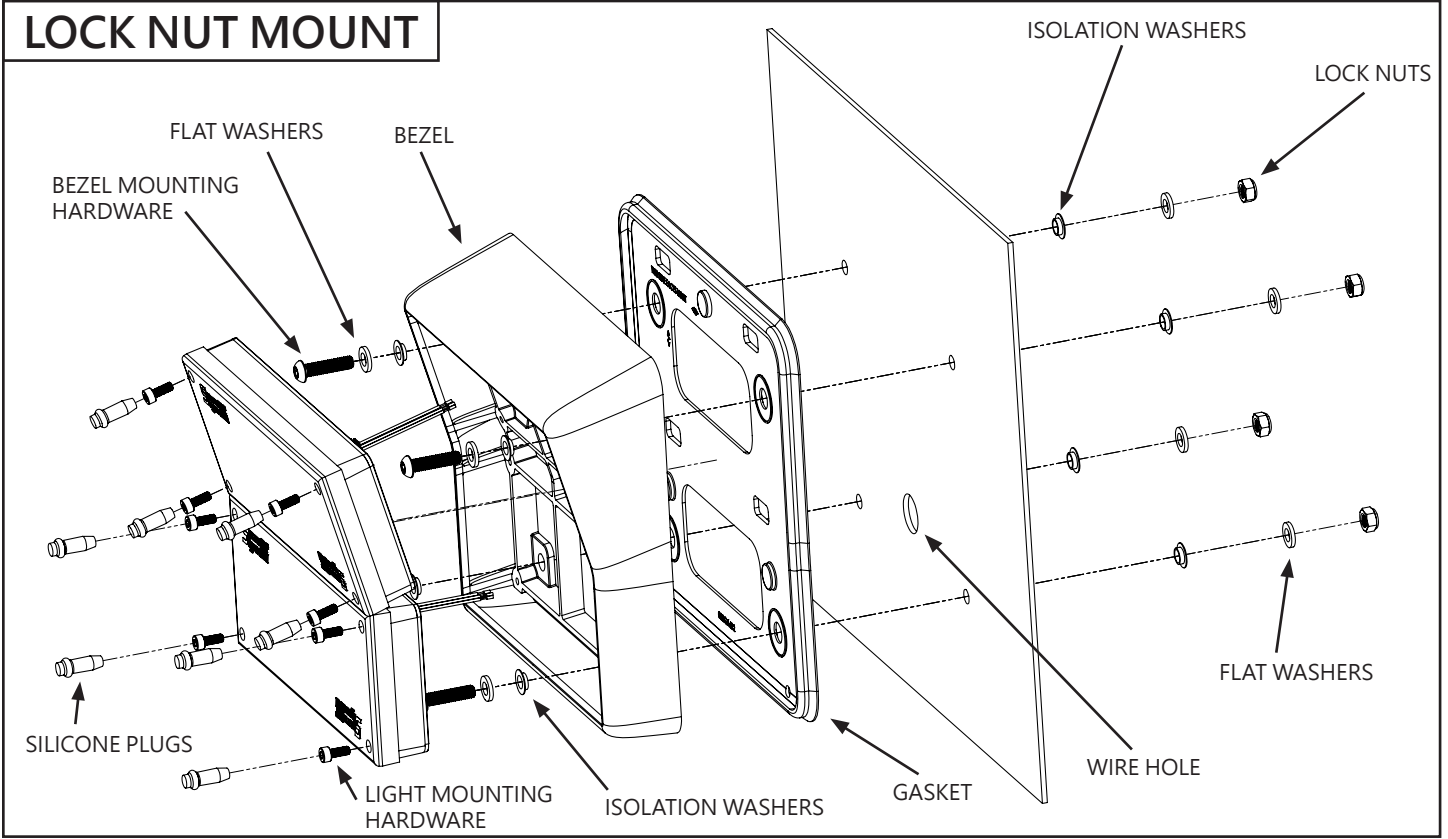
**PRO TIP: If necessary, run a small, non-marking pry tool along the base of the bezel to easily stretch the lip of the gasket around the edges of the bezel.**

7. For installations with lock nuts, torque to 35 in-lbs (3.95 N·m). For installations with well nuts, apply pressure against each fastener while tightening and torque to 10 in-lbs (1.13 N·m).
8. Attach the wire harnesses to each 7X3 mpower light, feed the wires from the upper, tipped 7X3 mpower light through the wire pass-through in the bezel, and feed both wire harnesses into the wire pass-through hole in the vehicle panel. Push both 7X3 mpower lights into place.
9. Install the (2) 7X3 mpower lights into the bezel using the provided light mounting hardware. Tighten (8) screws until fully seated. Do not overtighten.
10. Insert (8) silicone plugs into the 7X3 mpower lights to seal screw holes. (Use a 50% Isopropyl alcohol, 50% deionized water mix for lubrication if necessary).

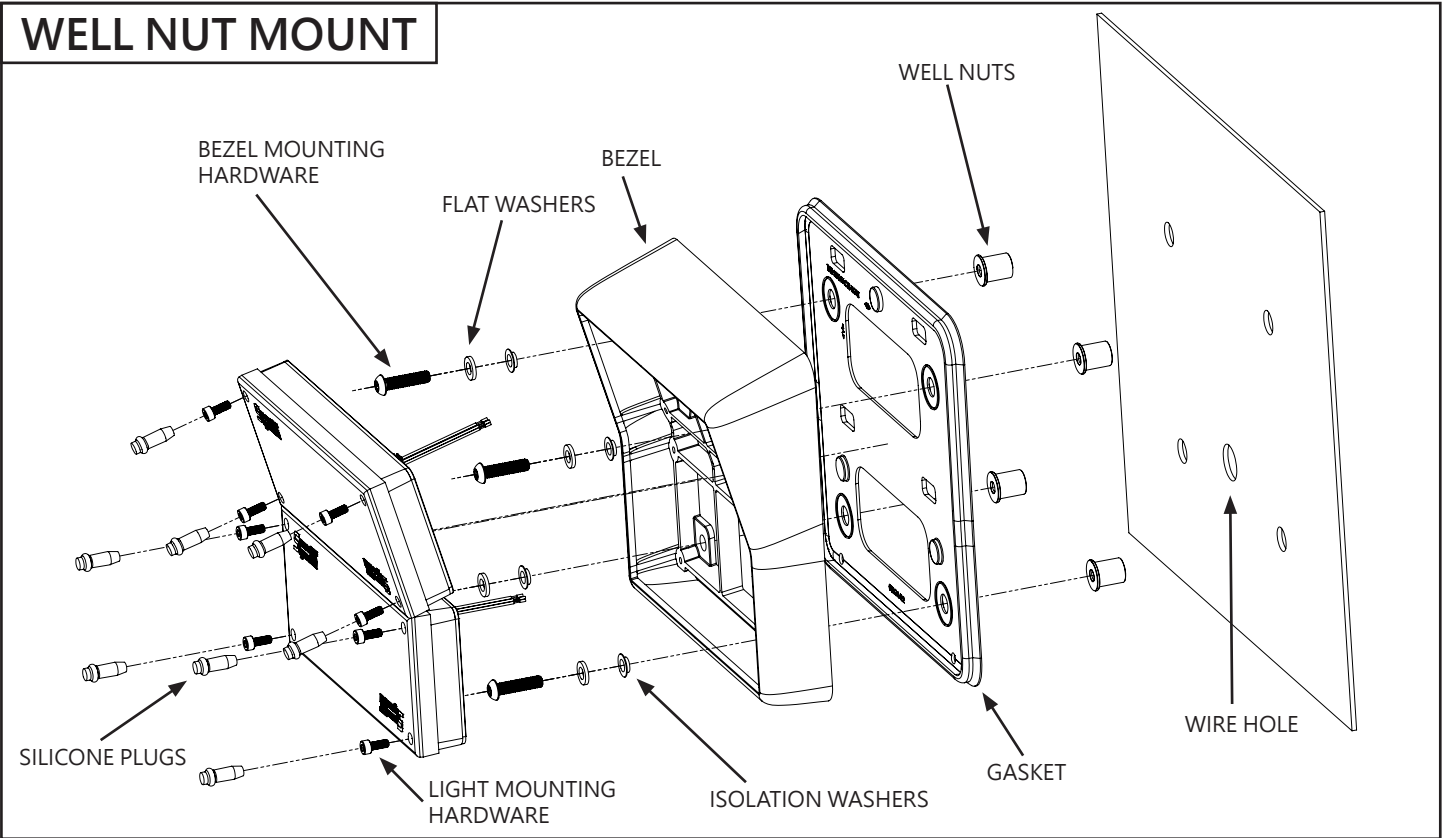
**CAUTION: Petroleum/Silicone based lubricants will cause the silicone lens to discolor.**

11. Ensure bezel assembly is fully seated and test function of the 7X3 mpower lights.

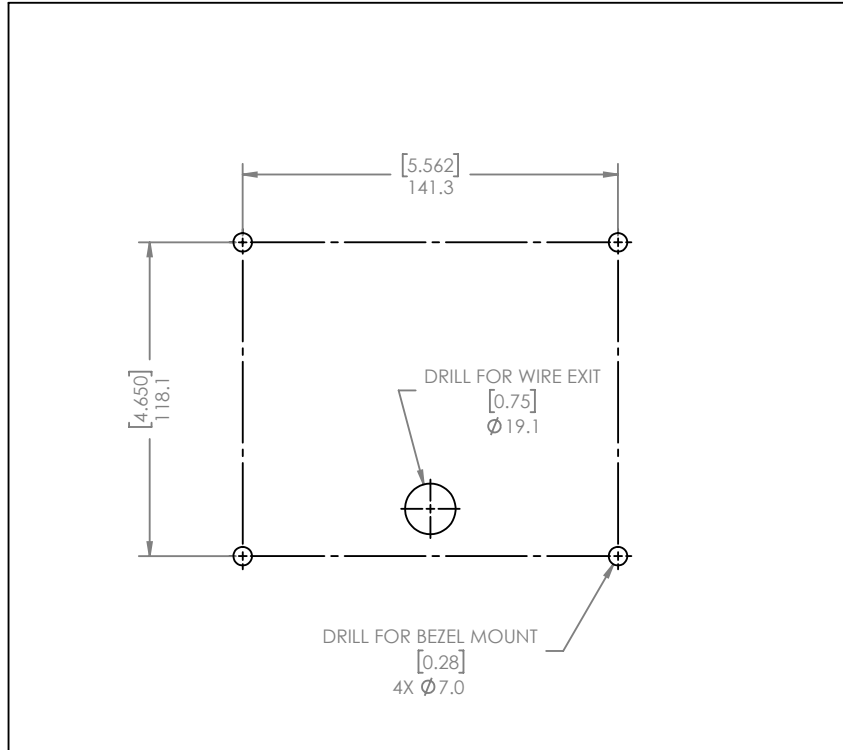
### LOCK NUT MOUNT



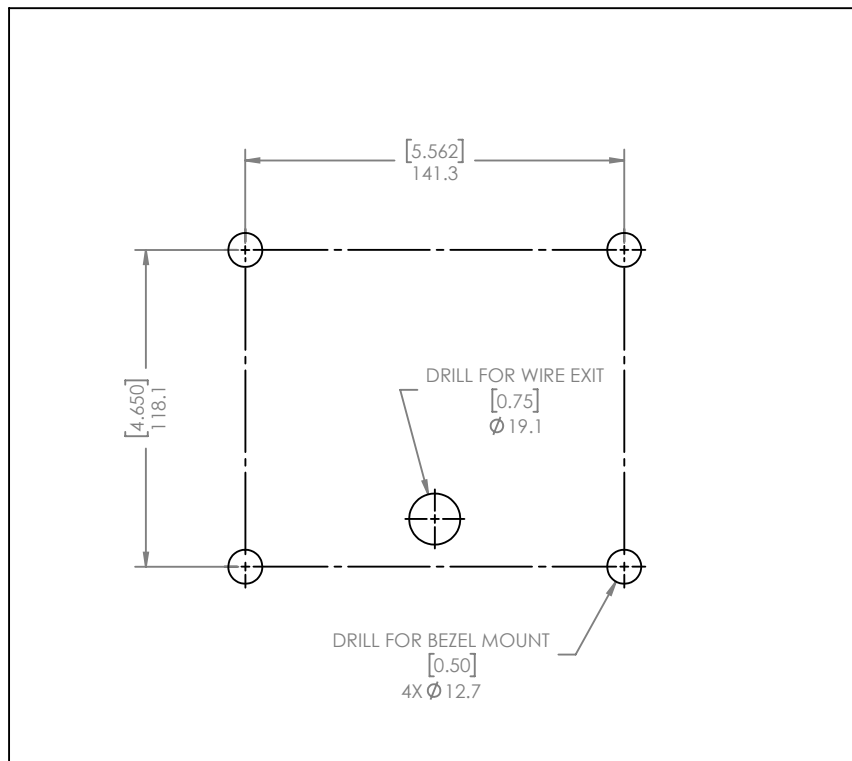
### WELL NUT MOUNT



# 7X3 MPOWER SERIES, TIPPED FLAT MOUNT



**7X3 TIPPED FLAT MOUNT, LOCK NUT MOUNT TEMPLATE  
NOT TO SCALE, FOR REFERENCE ONLY**



**7X3 TIPPED FLAT MOUNT, WELL NUT MOUNT TEMPLATE  
NOT TO SCALE, FOR REFERENCE ONLY**