

# 7X3 nFUSE® P, TIPPED BEZEL

## 2019 - 2022 MERCEDES SPRINTER HIGH ROOF MOUNT

PPS8BZV001C – LEFT HAND MOUNT CHROME

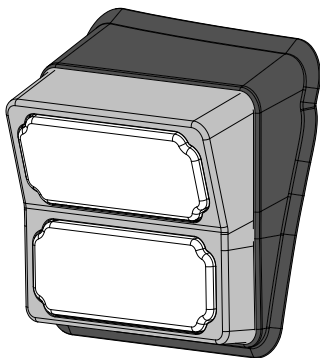
PPS8BZV001B – LEFT HAND MOUNT BLACK

PPS8BZV002C – RIGHT HAND MOUNT CHROME

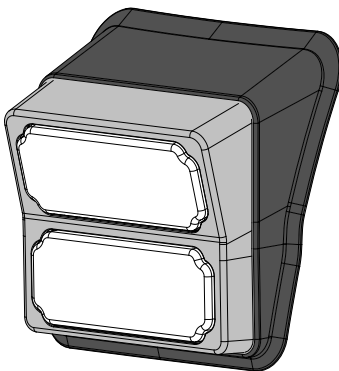
PPS8BZV002B – RIGHT HAND MOUNT BLACK

PPS8BZV003C – SIDE MOUNT CHROME

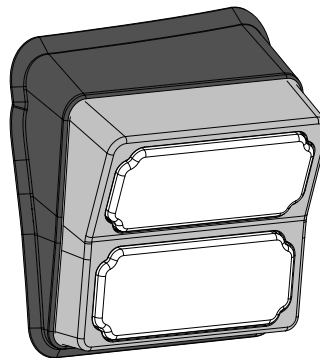
PPS8BZV003B – SIDE MOUNT BLACK



LEFT HAND MOUNT ASSEMBLY  
PPS8BZV001X



SIDE MOUNT ASSEMBLY  
PPS8BZV003X



RIGHT HAND MOUNT ASSEMBLY  
PPS8BZV002X

### **WARNING**

- HIGH CURRENT interconnects must be properly terminated. Poor crimp quality can cause heat build-up and fire. Follow crimp connector manufacturer instructions.
- DO NOT install this product or route any wires in the Air Bag Deployment Zone. Refer to vehicle Owner's Manual for deployment zones.
- Do NOT use system to disconnect headlights, brake lights or other safety equipment.
- Unit may become hot to touch during normal operation.
- Failure to properly install connectors, fuses or wiring may cause vehicle failure or fire.
- Installation must only be performed by trained technician. Installer must determine vehicle wiring configuration and proper integration of system.
- Use proper wire gauge. All power wires connecting to positive (+) or negative (-) battery terminal or local chassis ground (-) must be sized to supply at least 125% of max. current and properly fused at power source.
- Install protective grommets when routing wire through firewall or metal.

#### NOTICE:

Installers and users must comply with all applicable federal, state and local laws regarding use and installation of warning devices. *Improper use or installation may void warranty coverage. To review our Limited Warranty Statement & Return Policy for this or any SoundOff Signal product, visit our website at [www.soundoffsignal.com/tech-services/returns/](http://www.soundoffsignal.com/tech-services/returns/). If you have questions regarding this product, contact **Technical Services**, Monday - Friday, 8 a.m. to 5 p.m. ET at **1.800.338.7337** (press #4). Questions or comments that do not require immediate attention may be emailed to [techservices@soundoffsignal.com](mailto:techservices@soundoffsignal.com).*

INTRODUCTION . . . . .	2
COMPONENTS . . . . .	2
INSTALLATION INSTRUCTIONS . . . . .	2
LEFT HAND / RIGHT HAND ASSEMBLY VIEW . . . . .	3
SIDE MOUNT ASSEMBLY VIEW . . . . .	4
LEFT HAND / RIGHT HAND HOLE TEMPLATE . . . . .	4
SIDE MOUNT ASSEMBLY HOLE TEMPLATE . . . . .	5



P-Series product page



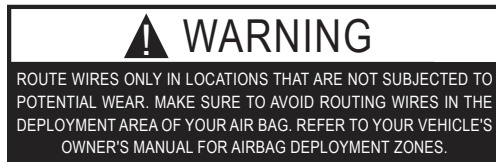
1.800.338.7337 / [www.soundoffsignal.com](http://www.soundoffsignal.com)

ENHANCING SAFETY THROUGH INNOVATION

## INTRODUCTION:

- Versatile bezel with incorporated 15 degrees of down angle for improved perimeter lighting
- Seamless combination of dual 7X3 P-series firelights
- Tough metal construction with fitted silicone gasket
- Easily mount to compatible\* Mercedes Sprinter High Roof vans

\*Compatible Mercedes Sprinter model year 2019-2022



CONTAINS		
ITEM #	COMPONENT	QTY.
1	MERCEDES SPRINTER MOUNT GASKET	1
2	MOUNTING PLATE	1
3	BEZEL	1
4	LIGHT MOUNTING HARDWARE	8
5	BEZEL MOUNTING HARWARE	4
6	LOCK NUT	4
7	FLAT WASHER	8
8	ISOLATION WASHER	8
9	INSTALLATION INSTRUCTION SHEET	1
10	PRODUCT WARNING CARD	1
11	CA PROP 65 LABEL	1

## INSTALLATION:

1. Identify desired location on vehicle for mounting Of bezel. Reference attached mounting guide for recommended mount locations.
2. Using the provided gasket as a template, mark the (4) mounting locations. Ensure the assembly is level and that the area on the interior of the drill location is clear of wires and other obstructions. Remove any interior panels according to manufacturer recommendations prior to drilling.

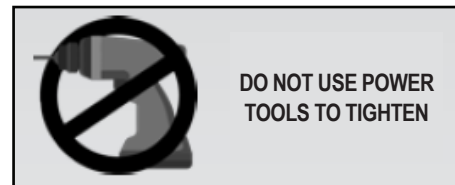
**PRO TIP: Before drilling, place non-marking tape over each drill location to protect the vehicle finish.**

3. Drill clearance holes for the provided ¼"-20 hardware. Ensure edges of drilled holes are cleaned and deburred.
4. While holding the gasket and mounting plate in place, mark the panel at the center point location of the lower light for wire pass-through. Drill a 0.75" (19mm) hole. Clean and deburr edges of drilled hole.

**NOTE: The mounting plate incorporates cut-outs that allow the wire from the upper, tipped 7X3 P series light to be run to the lower 7X3 P series light for wire pass-through.**

5. Attach the mounting plate and gasket to the vehicle using the provided hardware.

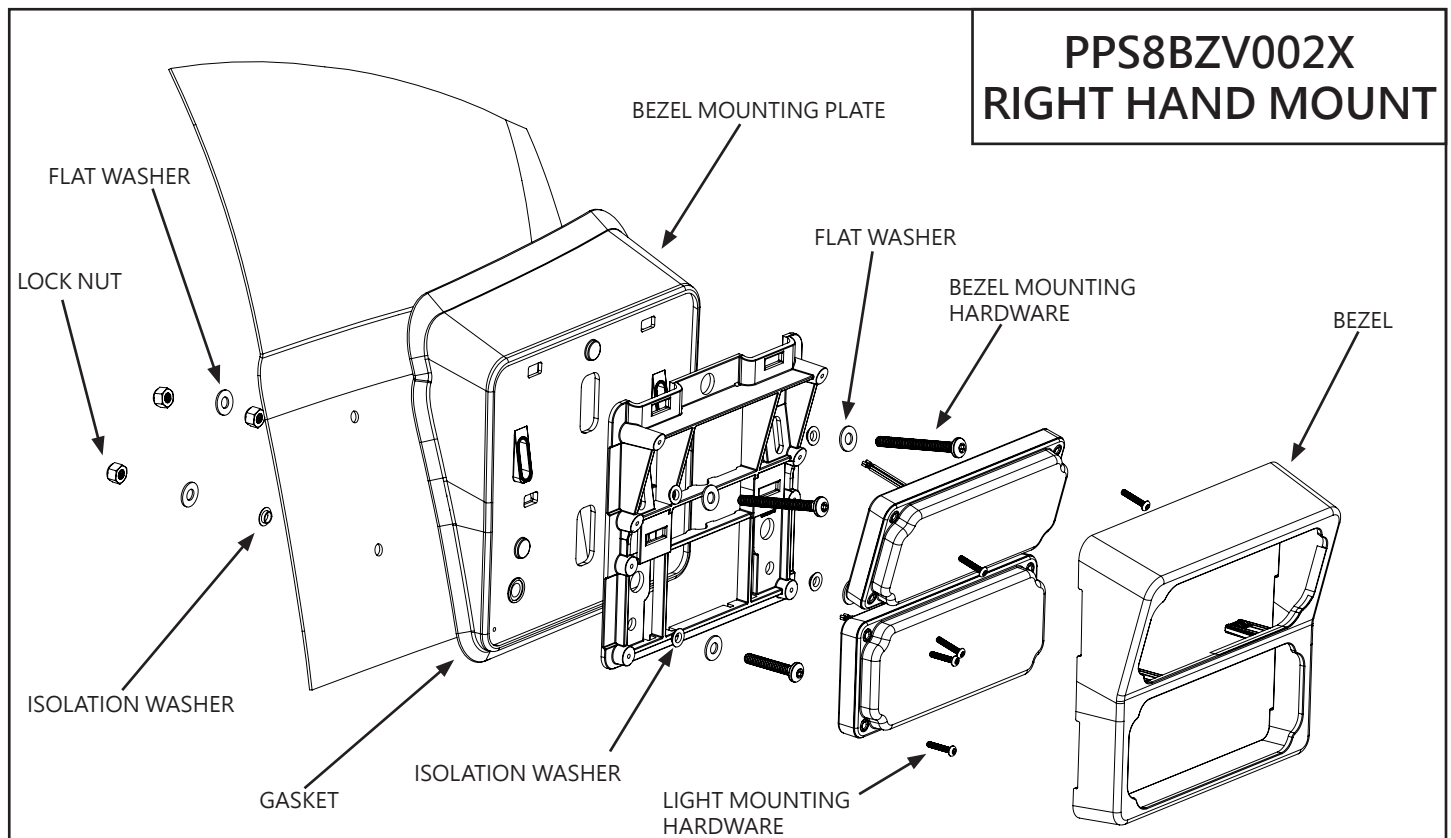
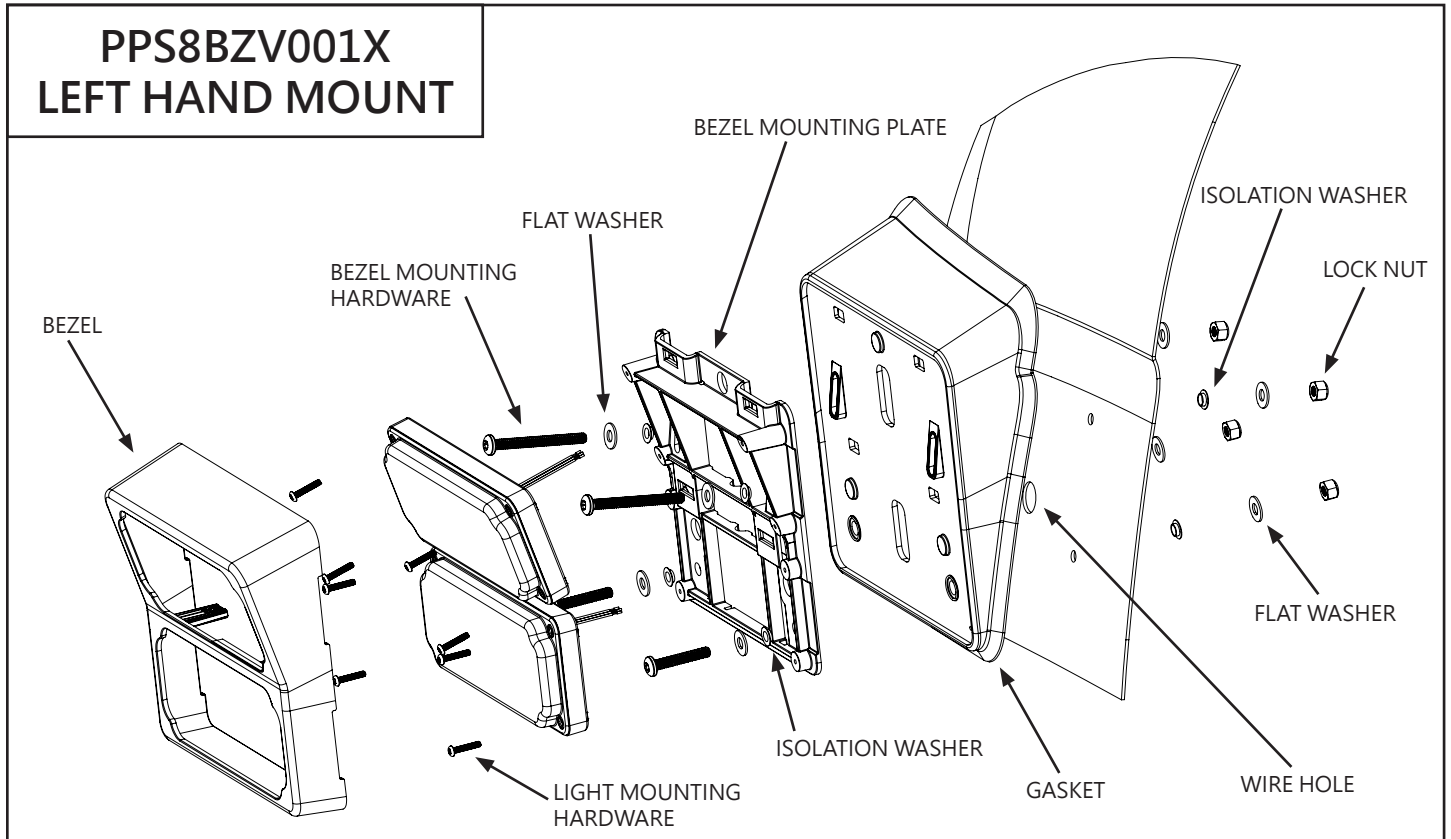
6. Torque each mounting fastener to 35 in-lbs (3.95 N·m). Do not overtighten.



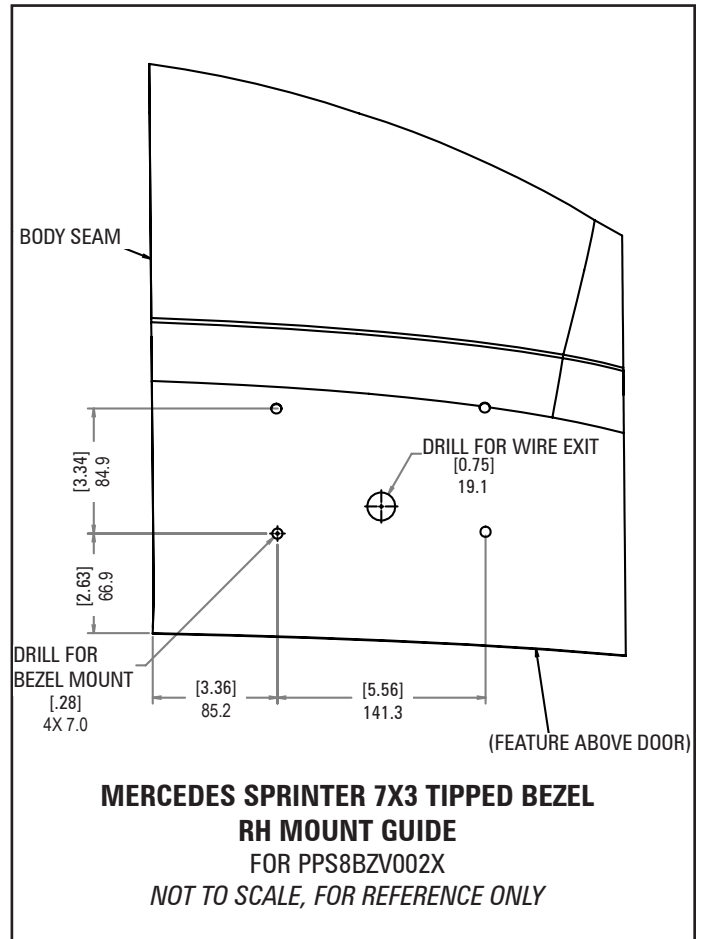
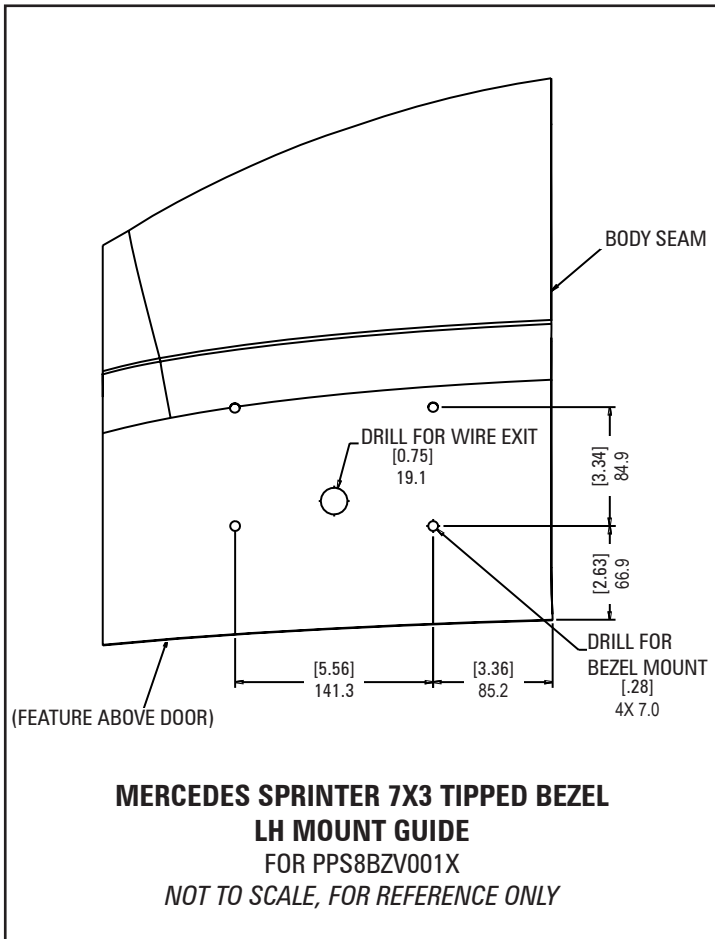
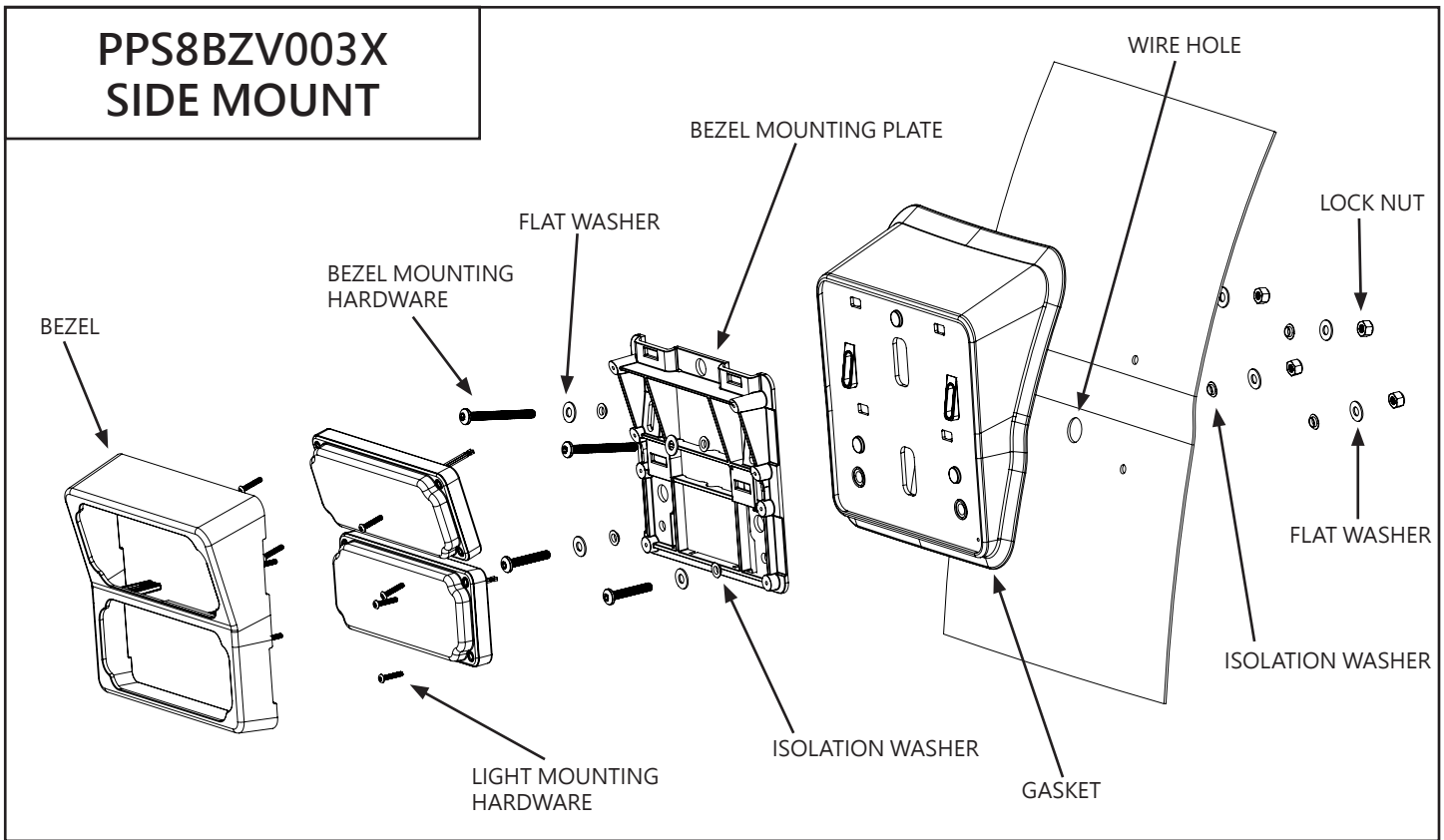
7. Attach the wire harnesses to each P series light, feed the wire harnesses into the wire pass-thru hole in the vehicle panel.
8. Attach the P series lights onto the mounting plate using the provided light mounting hardware. Tighten screws until fully seated. Do not overtighten.
9. Mount the bezel to the mounting plate by aligning the posts and clips on the bezel with the receptacles on the mounting plate. Firmly press each corner of the bezel to secure the clips. Ensure the bezel is fully seated on the mounting plate and the lip of the gasket is free and even all the way around. The cut-outs on the right and left side of the bezel should be fully covered by the lip of the gasket.

**PRO TIP: If necessary, run a small, non-marking pry tool along the base of the bezel to easily stretch the lip of the gasket around the edges of the bezel.**

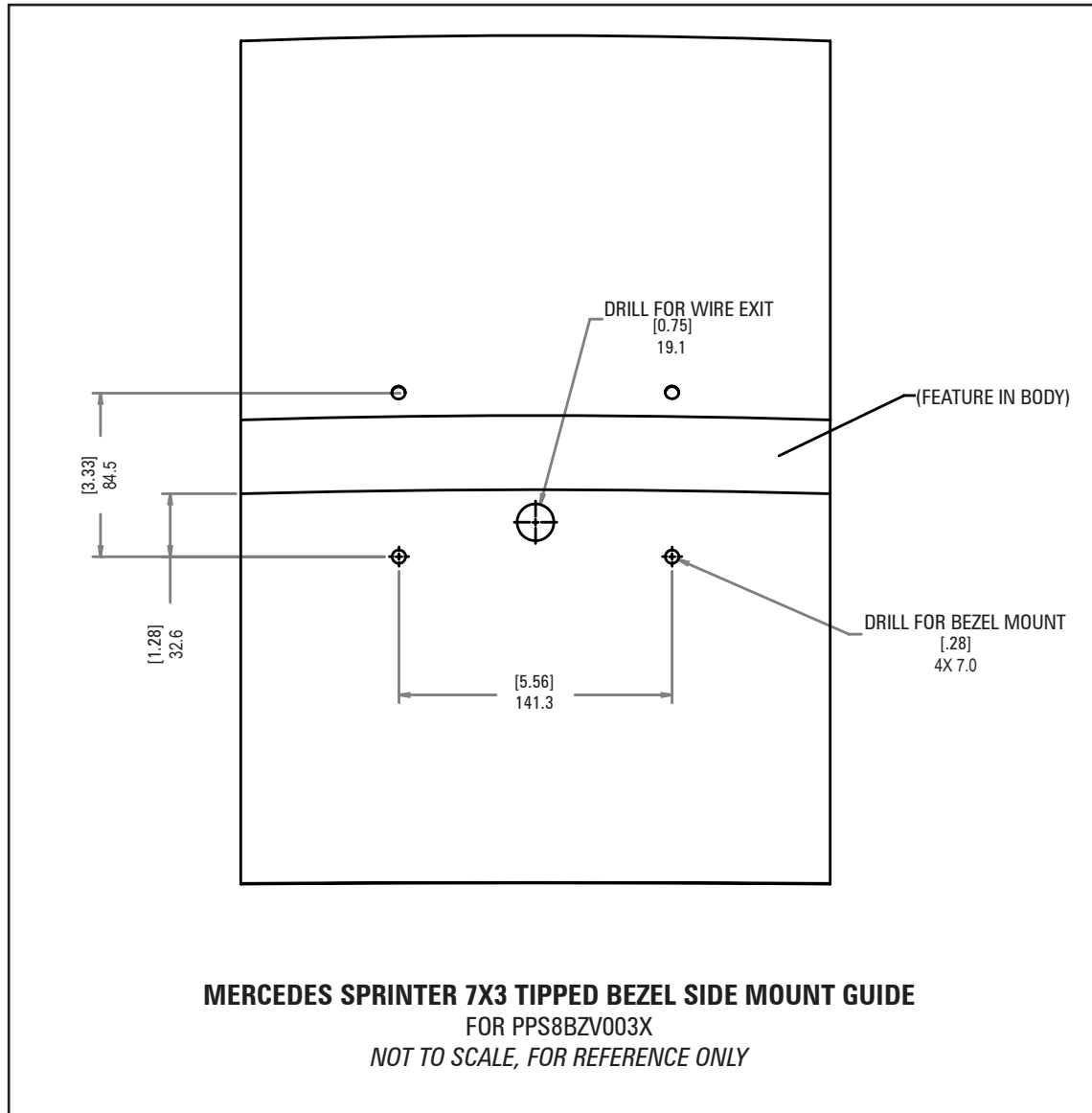
10. Ensure bezel assembly is secure and test the function of the P series lights.



**7X3 P SERIES, TIPPED MERCEDES SPRINTER MOUNT** //



# 7X3 P SERIES, TIPPED MERCEDES SPRINTER MOUNT ////////////////////////////////////



**NOTICE:**

Installers and users must comply with all applicable federal, state and local laws regarding use and installation of warning devices.

*Improper use or installation may void warranty coverage.*

To review our Limited Warranty Statement & Return Policy for this or any SoundOff Signal product, visit our website at [www.soundoffsignal.com/tech-services/returns/](http://www.soundoffsignal.com/tech-services/returns/).

If you have questions regarding this product, contact **Technical Services**, Monday - Friday, 8 a.m. to 5 p.m. ET at **1.800.338.7337** (press #4).

Questions or comments that do not require immediate attention may be emailed to [techservices@soundoffsignal.com](mailto:techservices@soundoffsignal.com).

ENHANCING SAFETY THROUGH INNOVATION