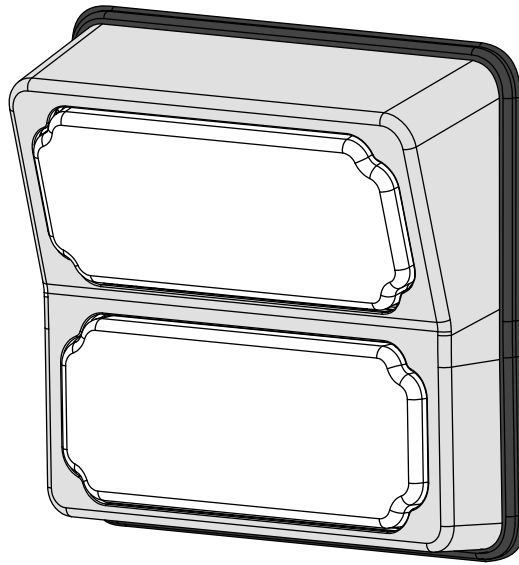


7X3 nFUSE® P, TIPPED FLAT MOUNT BEZEL

PPS8BZL32C – CHROME - 7X3 P SERIES, DOUBLE-STACK, TIPPED BEZEL

PPS8BZL32B – BLACK - 7X3 P SERIES, DOUBLE-STACK, TIPPED BEZEL



WARNING

- HIGH CURRENT interconnects must be properly terminated. Poor crimp quality can cause heat build-up and fire. Follow crimp connector manufacturer instructions.
- DO NOT install this product or route any wires in the Air Bag Deployment Zone. Refer to vehicle Owner's Manual for deployment zones.
- Do NOT use system to disconnect headlights, brake lights or other safety equipment.
- Unit may become hot to touch during normal operation.
- Failure to properly install connectors, fuses or wiring may cause vehicle failure or fire.
- Installation must only be performed by trained technician. Installer must determine vehicle wiring configuration and proper integration of system.
- Use proper wire gauge. All power wires connecting to positive (+) or negative (-) battery terminal or local chassis ground (-) must be sized to supply at least 125% of max. current and properly fused at power source.
- Install protective grommets when routing wire through firewall or metal.

INTRODUCTION	2
COMPONENTS	2
INSTALLATION INSTRUCTIONS	2
LOCK NUT ASSEMBLY VIEW	3
WELL NUT ASSEMBLY VIEW	3
LOCK NUT HOLE TEMPLATE	4
WELL NUT HOLE TEMPLATE	4



P Series product page



NOTICE:

Installers and users must comply with all applicable federal, state and local laws regarding use and installation of warning devices. *Improper use or installation may void warranty coverage.* To review our Limited Warranty Statement & Return Policy for this or any SoundOff Signal product, visit our website at www.soundoffsignal.com/tech-services/returns/. If you have questions regarding this product, contact **Technical Services**, Monday - Friday, 8 a.m. to 5 p.m. ET at **1.800.338.7337** (press #4). Questions or comments that do not require immediate attention may be emailed to techservices@soundoffsignal.com.

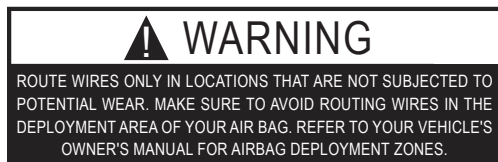
1.800.338.7337 / www.soundoffsignal.com

ENHANCING SAFETY THROUGH INNOVATION

7X3 nFUSE P TIPPED FLAT MOUNT
0000JL 0623 REV B

INTRODUCTION:

- Versatile bezel with incorporated 15 degrees of down angle for improved perimeter lighting
- Seamless combination of dual 7X3 P series firelights
- Easily mount to any flat panel
- Tough metal construction with fitted silicone gasket



CONTAINS		
ITEM #	COMPONENT	QTY.
1	BEZEL	1
2	MOUNTING PLATE	1
3	GASKET	1
4	LIGHT MOUNTING HARDWARE	1
5	BEZEL MOUNTING HARWARE	1
6	LOCK NUT	4
7	FLAT WASHER	8
8	ISOLATION WASHER	8
9	INSTALLATION INSTRUCTION SHEET	1
10	PRODUCT WARNING CARD	1
11	CA PROP 65 LABEL	1

INSTALLATION:

1. Identify desired location on vehicle for mounting of bezel. Although this bezel can be installed without access to the inside panel of the vehicle, ensure that there is sufficient space for wire routing.
2. Identify the mounting method that will be used. Well nuts are provided for installations in which the interior of the mounting panel is inaccessible.

NOTE: Well nuts are only intended for panels with a minimum thickness of 0.015" (0.4mm) and a maximum thickness of 0.125" (3.2mm). For all other applications, use the provided lock nuts.

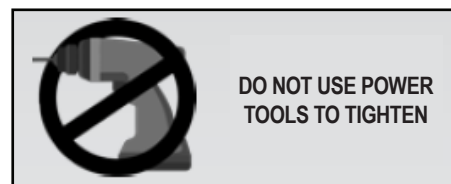
3. Using the provided gasket as a template, mark the mounting locations. Ensure the assembly is level and that the area on the interior of the panel is clear of wires and other obstructions before drilling.

PRO TIP: Before drilling, place non-marking tape over each drill location to protect the vehicle finish.

4. For installations with lock nuts, drill 5/16" (8.00mm) clearance holes for the provided 1/4"-20 hardware. For installations with well nuts, drill 0.5" (12.7mm) holes. The wire pass-thru hole should be 0.75" (19mm). Refer to the provided drill templates for hole spacing. Ensure edges of drilled holes are cleaned and deburred.

NOTE: The mounting plate incorporates cut-outs that allow the wire from the upper, tipped 7X3 P series light to be run to the lower 7X3 P series light for wire pass-through so only one hole is required.

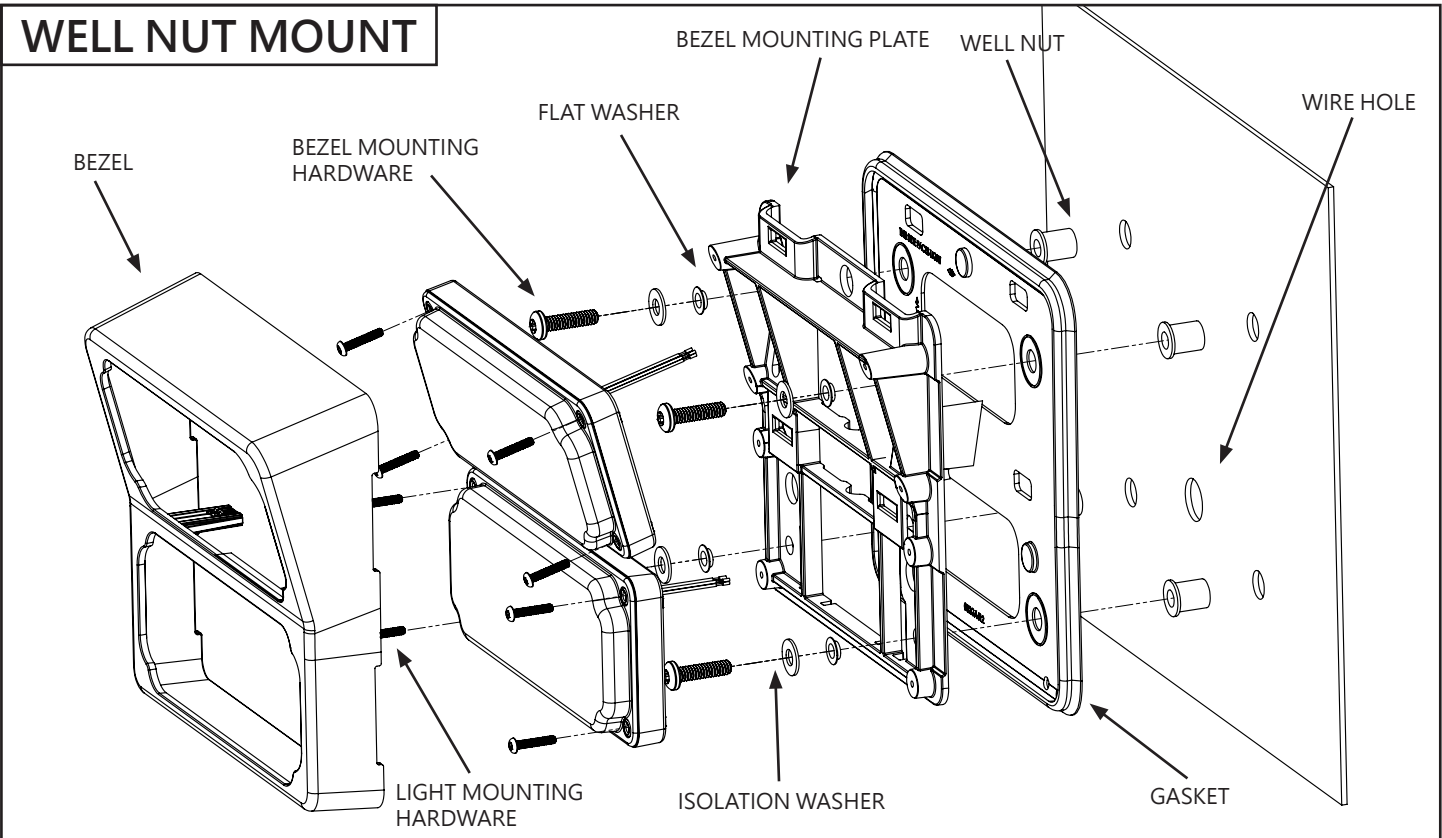
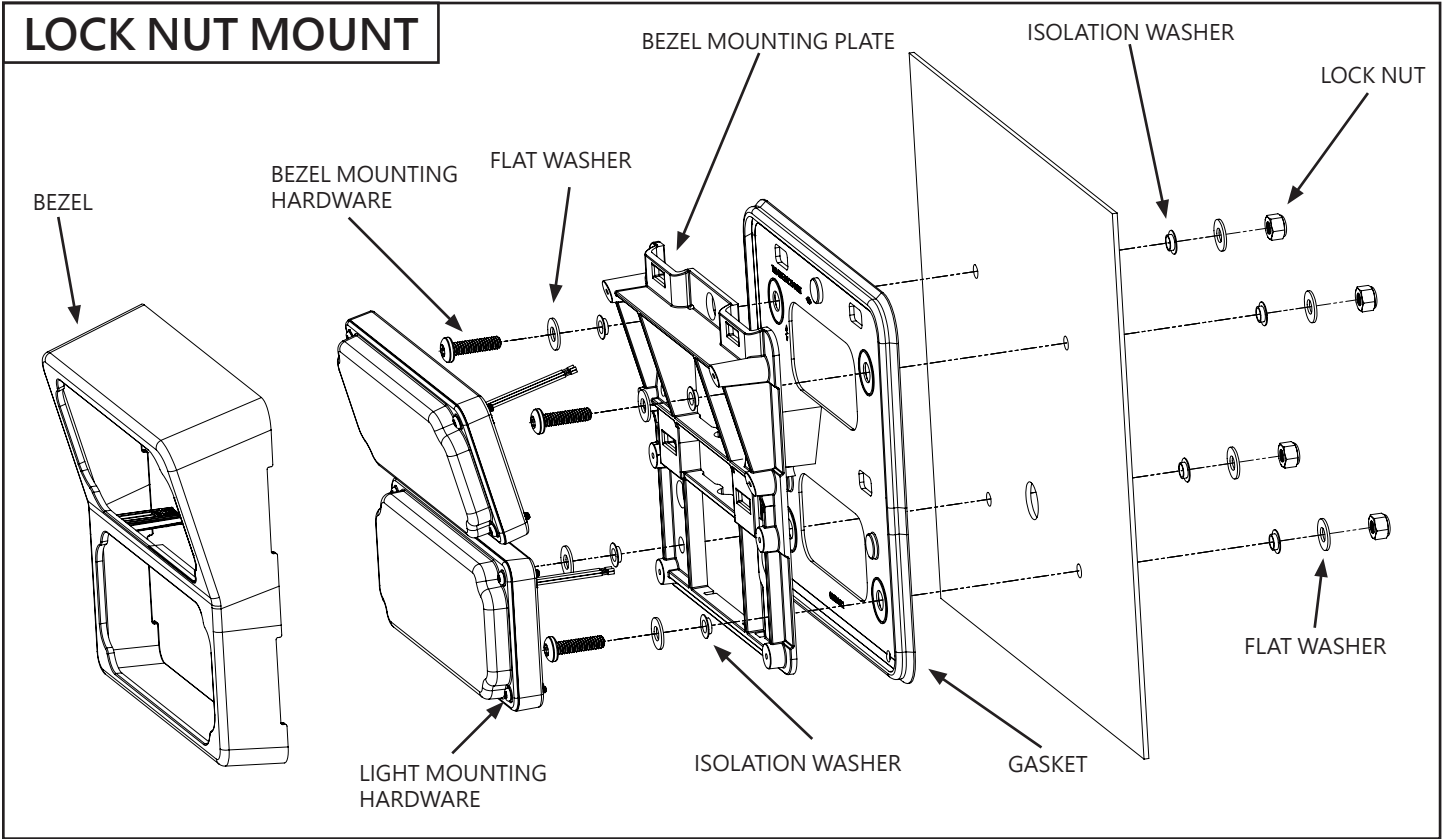
5. Attach the mounting plate and gasket to the vehicle using the provided hardware. For installations with lock nuts, torque to 35 in-lbs (3.95 N·m). For installations with well nuts, apply pressure against each fastener while tightening and torque to 10 in-lbs (1.13 N·m).

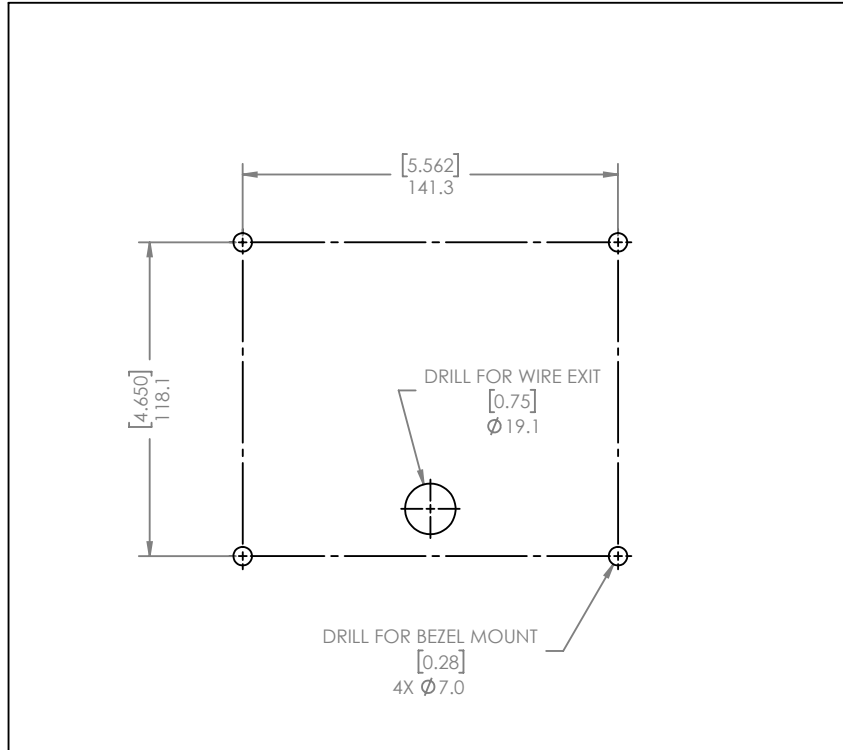


6. Attach the wire harnesses to each P series light, feed the wire harnesses into the wire pass-thru hole in the vehicle panel.
7. Attach the P series lights onto the mounting plate using the provided light mounting hardware. Tighten screws until fully seated. Do not overtighten.
8. Mount the bezel to the mounting plate by aligning the posts and clips on the bezel with the receptacles on the mounting plate. Firmly press each corner of the bezel to secure the clips. Ensure the bezel is fully seated on the mounting plate and the lip of the gasket is free and even all the way around. The cut-outs on the right and left side of the bezel should be fully covered by the lip of the gasket.

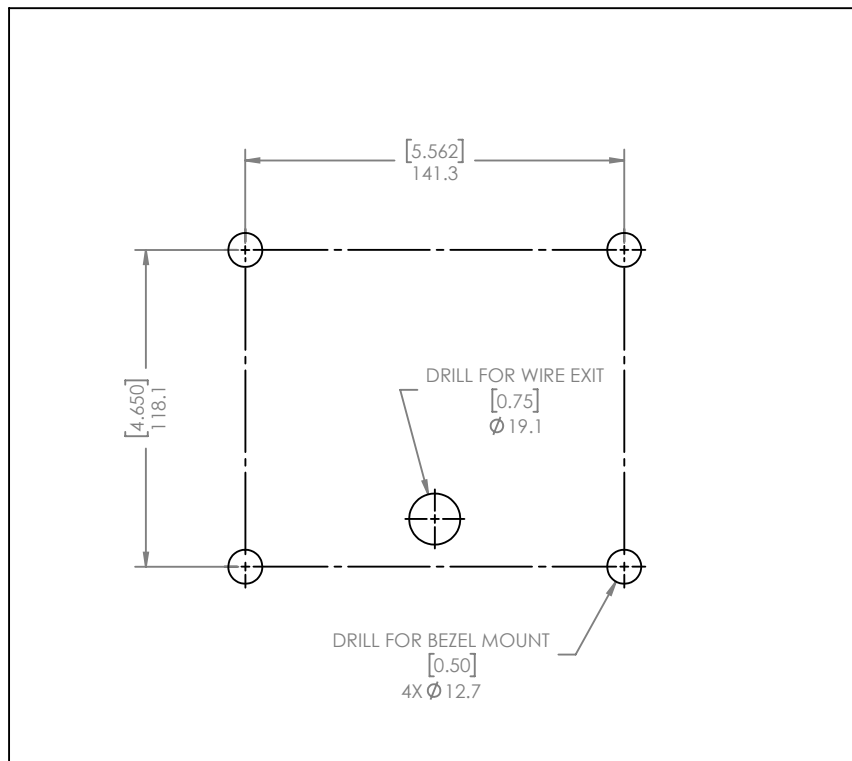
PRO TIP: If necessary, run a small, non-marking pry tool along the base of the bezel to easily stretch the lip of the gasket around the edges of the bezel.

9. Ensure bezel assembly is secure and test the function of the P series lights.





7X3 TIPPED FLAT MOUNT, LOCK NUT MOUNT TEMPLATE
NOT TO SCALE, FOR REFERENCE ONLY



7X3 TIPPED FLAT MOUNT, WELL NUT MOUNT TEMPLATE
NOT TO SCALE, FOR REFERENCE ONLY