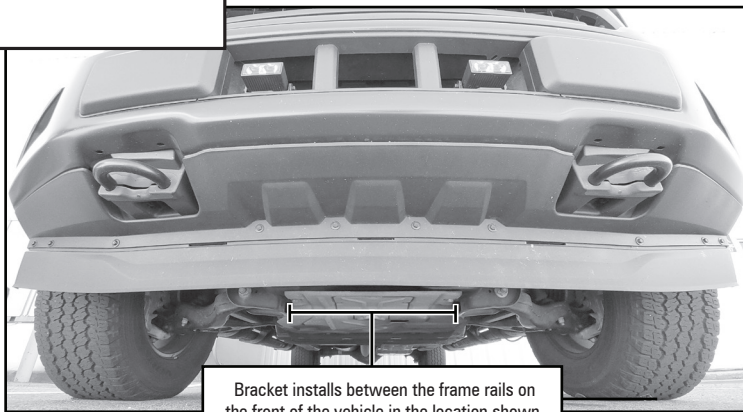
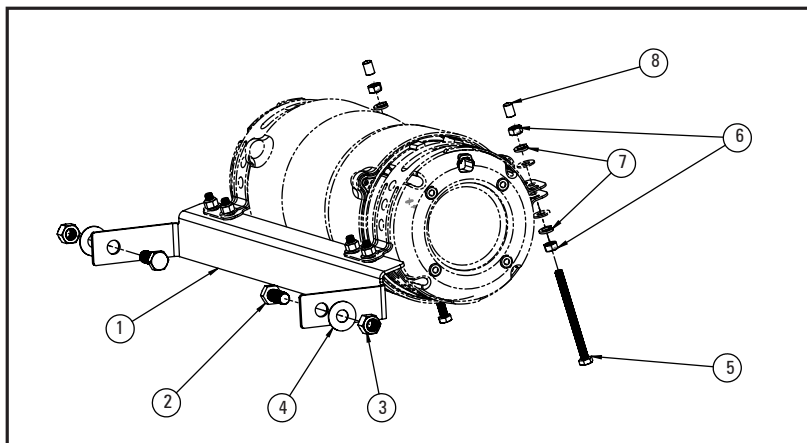


AFTERSHOCK SPEAKER BRACKET (NO DRILL) CAPABLE OF HOLDING UP TO TWO SPEAKERS FOR THE FORD F-150 2018 - 2023, FRAME MOUNT CENTER

ETSSLFVBK11



Bracket installs between the frame rails on the front of the vehicle in the location shown.

⚠ WARNING

- HIGH CURRENT interconnects must be properly terminated. Poor crimp quality can cause heat build-up and fire. Follow crimp connector manufacturer instructions.
- DO NOT install this product or route any wires in the Air Bag Deployment Zone. Refer to vehicle Owner's Manual for deployment zones.
- Do NOT use system to disconnect headlights, brake lights or other safety equipment.
- Unit may become hot to touch during normal operation.
- Failure to properly install connectors, fuses or wiring may cause vehicle failure or fire.
- Installation must only be performed by trained technician. Installer must determine vehicle wiring configuration and proper integration of system.
- Use proper wire gauge. All power wires connecting to positive (+) or negative (-) battery terminal or local chassis ground (-) must be sized to supply at least 125% of max. current and properly fused at power source.
- Install protective grommets when routing wire through firewall or metal.

NOTICE:

Installers and users must comply with all applicable federal, state and local laws regarding use and installation of warning devices.

Improper use or installation may void warranty coverage.

To review our Limited Warranty Statement & Return Policy for this or any SoundOff Signal product, visit our website at www.soundoffsignal.com/tech-services/returns/.

If you have questions regarding this product, contact **Technical Services**, Monday - Friday, 8 a.m. to 5 p.m. ET at 1.800.338.7337 (press #4).

Questions or comments that do not require immediate attention may be emailed to techservices@soundoffsignal.com.

INSTALLATION:

1. Attach the speakers to the low frequency bracket using the Universal Mount Brackets and hardware provided with the aftershock speaker kits, as shown in Fig. 1 on Page 2. The grills of the speakers should face downward as shown.

NOTE: ONLY INSTALL THE BOLTS NECESSARY TO FASTEN THE UNIVERSAL MOUNT BRACKETS TO THE SPEAKER BRACKET.

Do not install the single bolt on the opposite side of the speaker. The speaker bracket should be sandwiched between the Universal Mount Brackets. Tighten to 15 ft-lbs.

CONTENTS		
ITEM#	QTY	COMPONENT
1	1	LOW FREQUENCY BRACKET
2	2	1/2-20 HEX HEAD BOLT
3	2	1/2-20 NYLON LOCK NUT
4	2	1/2" FLAT WASHER
5	2	5/16-18 x 4" HEX HEAD BOLT
6	4	5/16-18 HEX NUT
7	4	5/16 LOCK WASHER
8	2	RUBBER BOLT CAP

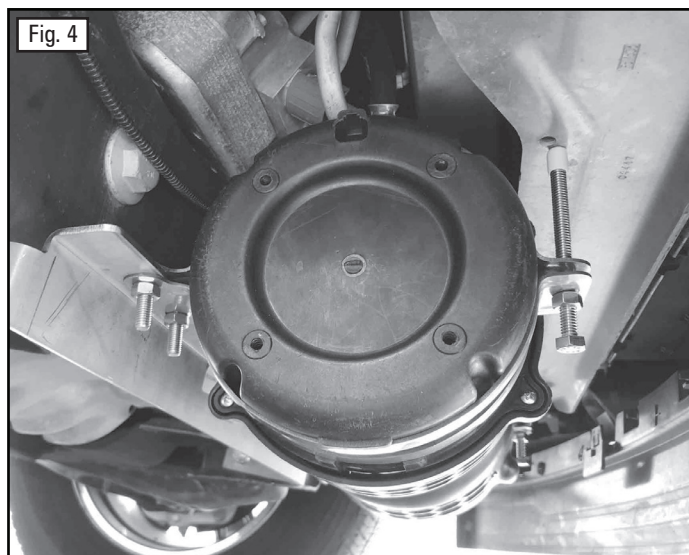
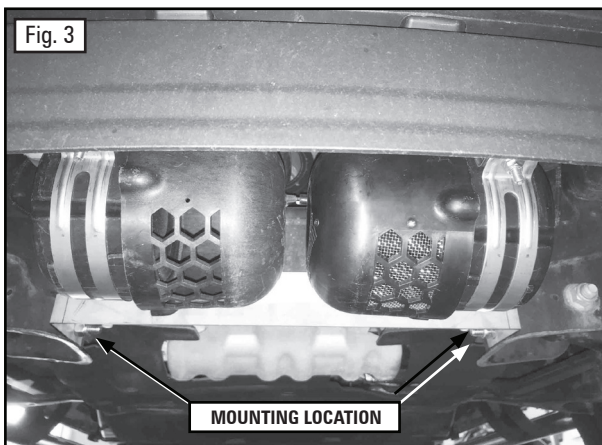
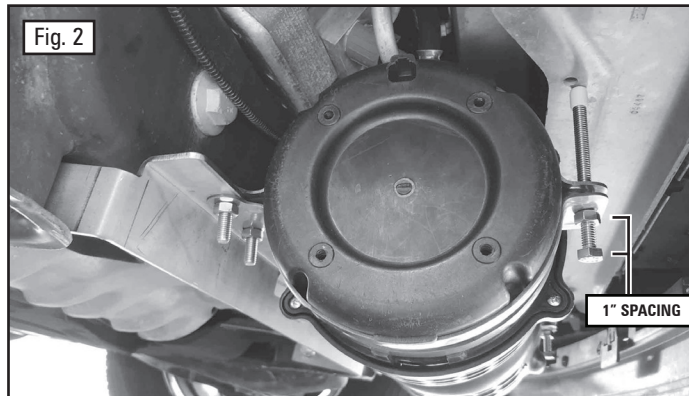
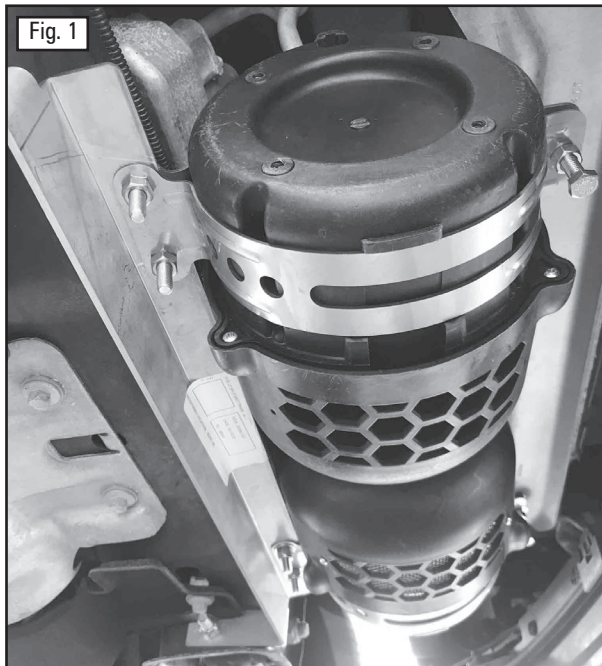
*Speaker and Speaker Hardware Sold Separately

SoundOff Signal

1.800.338.7337 / www.soundoffsignal.com

AFTERSHOCK SPEAKER BRACKET (NO DRILL) CAPABLE OF HOLDING UP TO TWO SPEAKERS FOR THE FORD F-150 2018 - 2023, FRAME MOUNT CENTER

ETSSLFVBK11



INSTALLATION:

2. Use the provided 5/16 - 4" hex bolts in place of the remaining bolts that were provided with the aftershock speaker kits. The 5/16 hex nuts, washers, and end caps should be installed, as shown in Fig. 2.

NOTE: BEGIN BY INSTALLING THE HEAD OF THE 4" HEX BOLT APPROXIMATELY 1" FROM THE LOWER NUT.

3. Install the bracket and speaker assembly to the underside of the front of the vehicle using the existing frame holes, as shown in Fig. 3.
4. Ensure that the bracket and speaker assembly is orientated, as shown in Fig. 4. Fasten the assembly to the frame of the vehicle using the provided 1/2-20 bolts, lock nuts, and washers. Tighten to 20 ft-lbs.
5. Tighten the 2 X 5/16 - 4" hex bolts until the end caps contact the cross member on the bottom of the vehicle. Once contact is made, further tighten in order to apply tension to the bracket and speaker assembly. The final assembly should appear, as shown in Fig. 4.
6. Plug in wire harnesses on both speakers. Test to ensure proper functionality.

NOTICE:

Installers and users must comply with all applicable federal, state and local laws regarding use and installation of warning devices.

Improper use or installation may void warranty coverage.

To review our Limited Warranty Statement & Return Policy for this or any SoundOff Signal product, visit our website at www.soundoffsignal.com/tech-services/returns/.

If you have questions regarding this product, contact **Technical Services**, Monday - Friday, 8 a.m. to 5 p.m. ET at 1.800.338.7337 (press #4).

Questions or comments that do not require immediate attention may be emailed to techservices@soundoffsignal.com.

SoundOff Signal

1.800.338.7337 / www.soundoffsignal.com