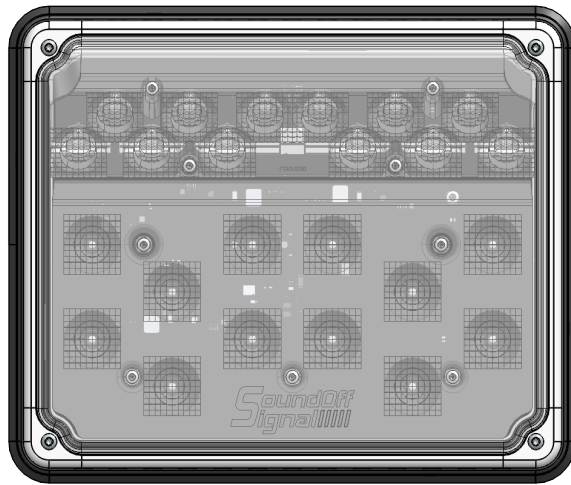




# 9X7 POLYCARB SCENE LIGHT BEZEL

PPS9BZL02C: 9x7P Scene Bezel Kit - Chrome

PPS9BZL02B: 9x7P Scene Bezel Kit - Black



Protected by U.S. Patent 10,703,260 and Patents Pending  
<https://soundoffsignal.com/legal/patent-notification/>


## **WARNING**

- HIGH CURRENT interconnects must be properly terminated. Poor crimp quality can cause heat build-up and fire. Follow the crimp connector manufacturer instructions.
- DO NOT install this product or route any wires in the Air Bag Deployment Zone. Refer to vehicle Owner's Manual for deployment zones.
- Do NOT use system to disconnect headlights, brake lights or other safety equipment.
- Unit may become hot to touch during normal operation.
- Failure to properly install connectors, fuses or wiring may cause vehicle failure or fire.
- Installation must only be performed by trained technician. Installer must determine vehicle wiring configuration and proper integration of system.
- Use proper wire gauge. All power wires connecting to positive (+) or negative (-) battery terminal or local chassis ground (-) must be sized to supply at least 125% of max. current and properly fused at power source.
- Install protective grommets when routing wire through firewall or metal.

STUD MOUNT INSTALLATION . . . . . 2

SCREW MOUNT INSTALLATION . . . 3-4

REPLACEMENT PARTS LIST . . . . . 5

 **WARNING**

ROUTE WIRES ONLY IN LOCATIONS THAT ARE NOT SUBJECTED TO POTENTIAL WEAR. MAKE SURE TO AVOID ROUTING WIRES IN THE DEPLOYMENT AREA OF YOUR AIR BAG. REFER TO YOUR VEHICLE'S OWNER'S MANUAL FOR AIRBAG DEPLOYMENT ZONES.

### NOTICE:

Installers and users must comply with all applicable federal, state and local laws regarding use and installation of warning devices. *Improper use or installation may void warranty coverage.* To review our Limited Warranty Statement & Return Policy for this or any SoundOff Signal product, visit our website at [www.soundoffsignal.com/tech-services/returns/](http://www.soundoffsignal.com/tech-services/returns/). If you have questions regarding this product, contact **Technical Services**, Monday - Friday, 8 a.m. to 5 p.m. ET at **1.800.338.7337** (press #4). Questions or comments that do not require immediate attention may be emailed to [techservices@soundoffsignal.com](mailto:techservices@soundoffsignal.com).



1.800.338.7337 / [www.soundoffsignal.com](http://www.soundoffsignal.com)

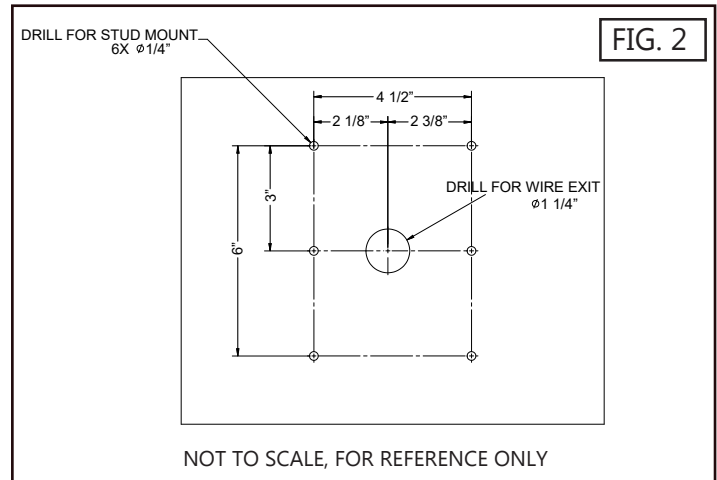
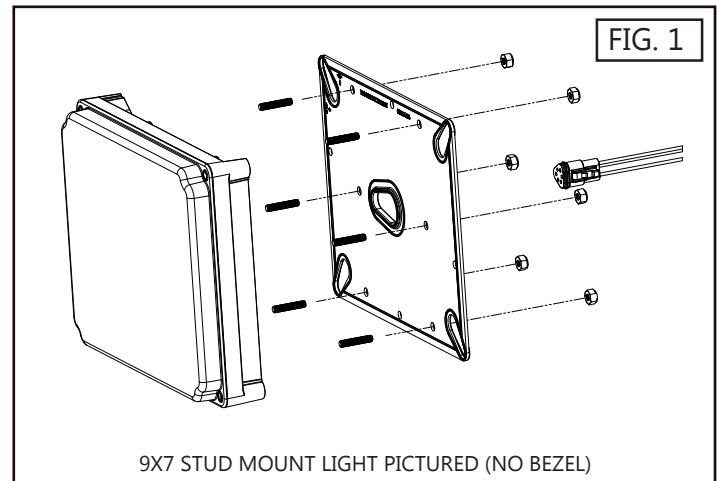
ENHANCING SAFETY THROUGH INNOVATION

## STUD MOUNT INSTALLATION: //

1. Drill (6) 1/4" holes to mount light and 1 1/4" wire hole (see **Fig. 2**).
2. Thread studs into the back of light.
3. Align the gasket to the mounting surface. Horizontal and vertical orientations are indicated on gasket for proper seal.
4. Press light assembly against gasket, against mount surface.
5. Secure the light to mounting surface using (6) supplied nuts, on the back side of vehicle mount surface.

**NOTE:** Tighten until gasket is compressed. DO NOT over tighten and strip casting threads. **DO NOT USE POWER TOOLS TO TIGHTEN.**

6. Plug the wire harness into the back of the light.

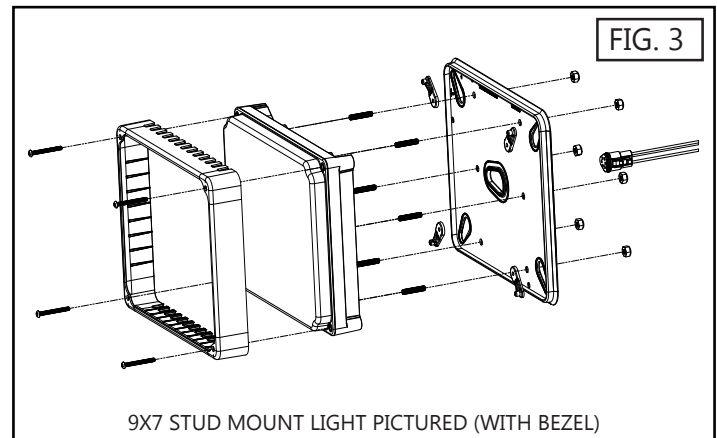


## STUD MOUNT (WITH BEZEL) INSTALLATION: //

1. Drill (6) 1/4" holes to mount light and 1 1/4" wire hole (see **Fig. 2**).
2. Thread studs into the back of light.
3. Place (4) adapter castings into back of light.
4. Place bezel over front of light.
5. Insert (4) screws through bezel, light, and into adapter castings. Tighten to secure bezel to light.
6. Align the gasket to the mounting surface. Horizontal and vertical orientations are indicated on gasket for proper seal.
7. Press light/bezel assembly against gasket, against mount surface.
8. Secure the light to mounting surface using (6) supplied nuts, on the back side of vehicle mount surface.

**NOTE:** Tighten until gasket is compressed. DO NOT over tighten and strip casting threads. **DO NOT USE POWER TOOLS TO TIGHTEN.**

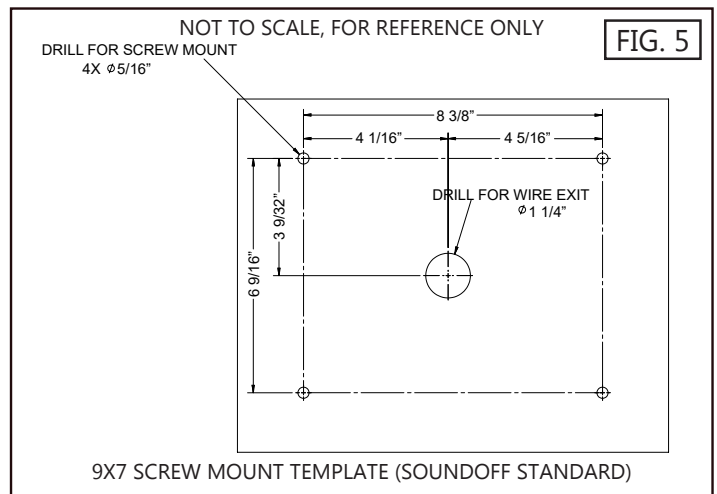
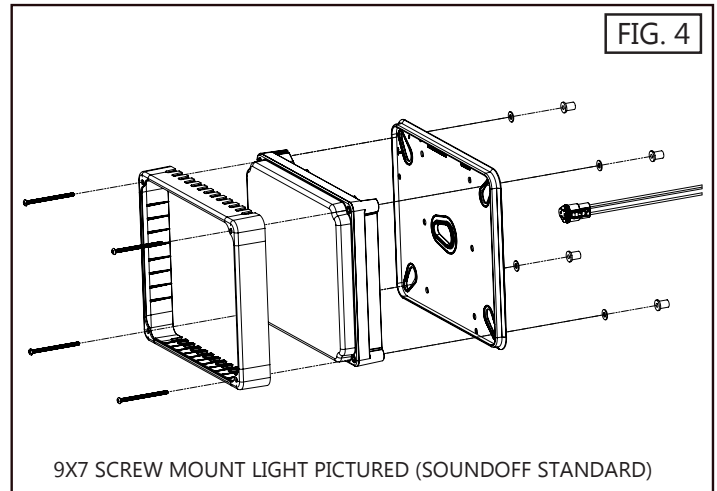
9. Plug the wire harness into the back of the light.



# SCREW MOUNT (SOUNDOFF STANDARD) INSTALLATION: //

1. Drill for SoundOff Signal mount pattern. Reference **Fig. 5** for hole sizes.
2. Place Bezel over light.
3. Place Bezel and light onto gasket.
4. Insert supplied screws through the bezel, light, and gasket.
5. Place flat washers onto inserted screws.
6. Secure bezel and light together by attaching the well nuts to the screws. Hold the screws in place and hand tighten the well nuts against the flat washers to secure. Ensure the lip of the bezel is properly seated in the gasket.
7. Pull the wire harness through the opening and plug into the back of the light (see wiring diagram).
8. Secure the entire light assembly to the mounting surface. Insert the well nuts into the drilled holes and tighten to 7 turns past full contact.

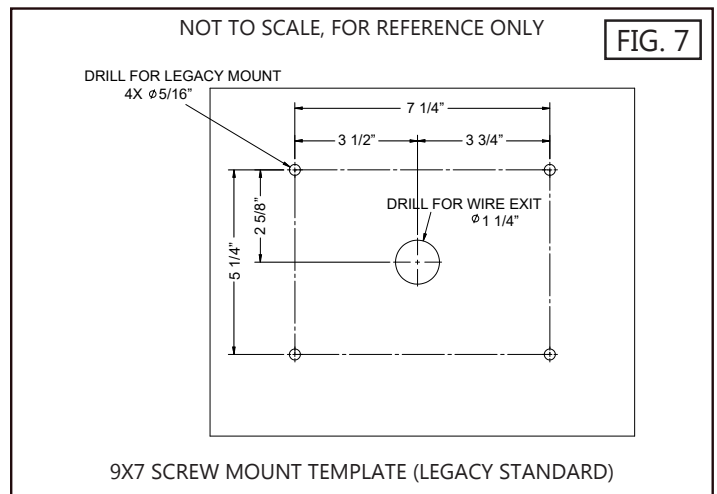
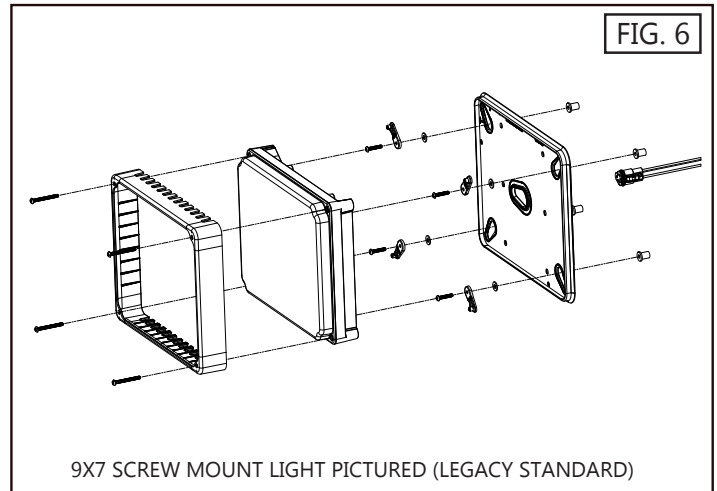
**NOTE:** Tighten until gasket is compressed. **DO NOT** over tighten. **DO NOT USE POWER DRIVER.** Horizontal and vertical orientations indicated on gasket for proper drainage.



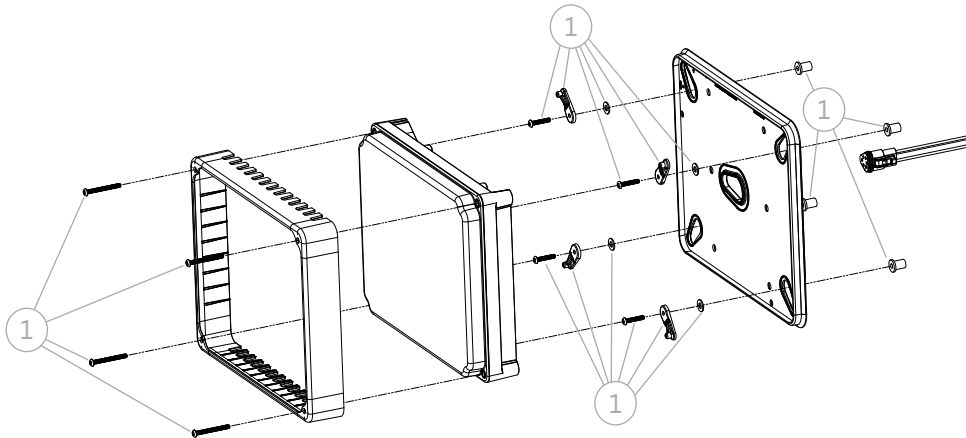
# SCREW MOUNT (LEGACY STANDARD) INSTALLATION: //

1. Drill for Legacy Standard hole pattern. Reference **Fig. 7** for hole sizes.
2. Insert well nuts into drilled holes, fully seat to mount surface.
3. Align gasket to mount surface (note horizontal and vertical orientations indicated on gasket for proper seal).
4. Place (4) adapter castings into gasket openings.
5. Insert (4) screws through (4) adapter castings into (4) washers and (4) well nuts and tighten to secure to vehicle surface. Tighten to 7 turns past full contact (Press screw into well nut to improve bite and prevent spinning. Hand tighten until well nut is secure).
6. Pull the wire harness through the opening and plug into the back of the light (see wiring diagram).
7. Place light into gasket, pressing light and gasket against mount surface.
8. Place bezel over light.
9. Secure the bezel/light mount surface using (4) supplied screws. Tighten to 1/8 turn past full contact.

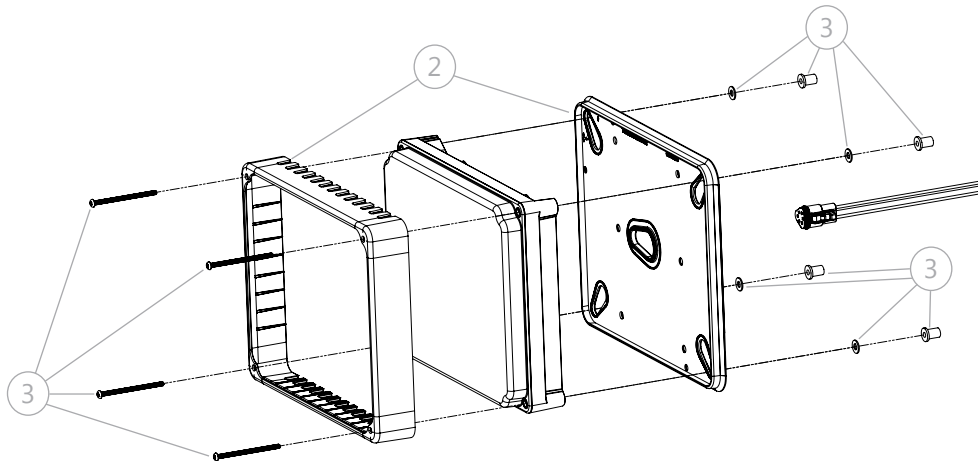
**NOTE:** Tighten until gasket is compressed. **DO NOT** over tighten. **DO NOT USE POWER DRIVER.** Horizontal and vertical orientations indicated on gasket for proper drainage.



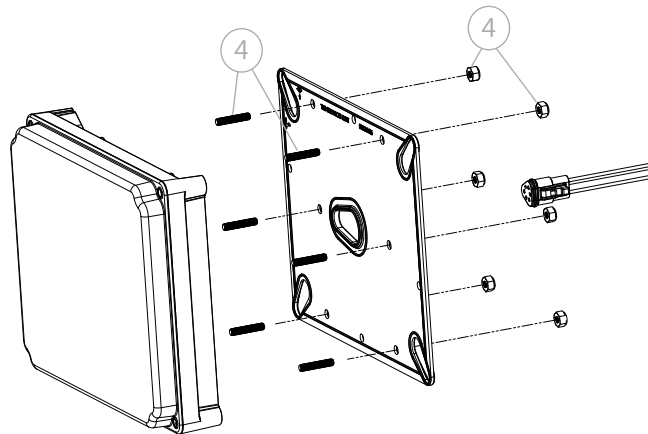
# 9X7 P SERIES REPLACEMENT PARTS & ACCESSORIES: //



LEGACY STANDARD  
SCREW MOUNT



SOUNDOFF STANDARD  
SCREW MOUNT



STUD MOUNT

ITEM #	PART#	DESCRIPTION
1	PPS9HK05-SM	LEGACY MOUNT ADAPTER KIT
2	PPS9BZL02B	P-SERIES 9X7 SINGLE BLACK
2	PPS9BZL02C	P-SERIES 9X7 SINGLE CHROME
3	PPS9HK01-SM	SCREW MOUNT KIT - CHROME (FOR SUBSTRATE UP TO 0.157" THICK)
3	PPS9HK02-SM	SCREW MOUNT KIT - BLACK (FOR SUBSTRATE UP TO 0.157" THICK)
3	PPS9HK03-SM	SCREW MOUNT KIT - CHROME (FOR SUBSTRATE 0.157" TO 0.354" THICK)
3	PPS9HK04-SM	SCREW MOUNT KIT - BLACK (FOR SUBSTRATE 0.157" TO 0.354" THICK)
4	PPS8HK01-ST	STUD MOUNT KIT*

\*Stud mount kit (PPS8HK01-ST) includes only 2 studs. If 6 studs are needed, 3 stud mount kits must be ordered.