

obSERVE+ DOME LIGHT, 3" INSTALLATION SHEET

EBSDL0001-W



Single Color

EBSDL0001-W (WHITE)

Dual Color

EBSDL0002-D (WHITE/RED)

EBSDL0002-E (WHITE/BLUE)


Accessory Grommet

PBSDLGM01 (FLUSH MOUNT GROMMET)

WARNING

- HIGH CURRENT interconnects must be properly terminated. Poor crimp quality can cause heat build-up and fire. Follow the crimp connector manufacturer instructions.
- DO NOT install this product or route any wires in the Air Bag Deployment Zone. Refer to vehicle Owner's Manual for deployment zones.
- Do NOT use system to disconnect headlights, brake lights or other safety equipment.
- Unit may become hot to touch during normal operation.
- Failure to properly install connectors, fuses or wiring may cause vehicle failure or fire.
- Installation must only be performed by trained technician. Installer must determine vehicle wiring configuration and proper integration of system.
- Use proper wire gauge. All power wires connecting to positive (+) or negative (-) battery terminal or local chassis ground (-) must be sized to supply at least 125% of max. current and properly fused at power source.
- Install protective grommets when routing wire through firewall or metal.

DIMENSIONS / TECHNICAL SPECIFICATIONS	2
ELECTRICAL INSTALLATION / INFORMATION	2
LIGHT INSTALLATION	3
WARRANTY INFORMATION	4

 **WARNING**

ROUTE WIRES ONLY IN LOCATIONS THAT ARE NOT SUBJECTED TO POTENTIAL WEAR. MAKE SURE TO AVOID ROUTING WIRES IN THE DEPLOYMENT AREA OF YOUR AIR BAG. REFER TO YOUR VEHICLE'S OWNER'S MANUAL FOR AIRBAG DEPLOYMENT ZONES.



1.800.338.7337 / www.soundoffsignal.com

NOTICE:

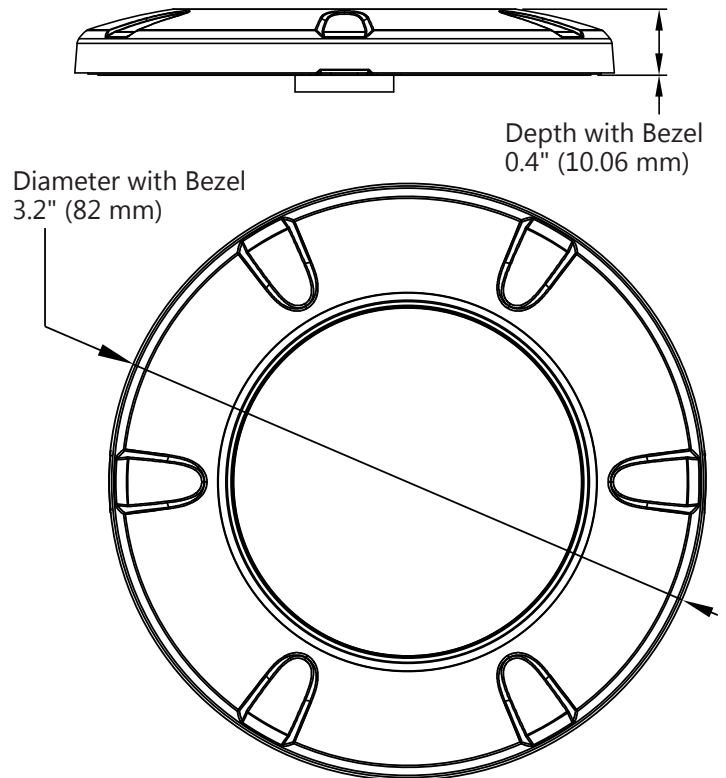
Installers and users must comply with all applicable federal, state and local laws regarding use and installation of warning devices. *Improper use or installation may void warranty coverage. To review our Limited Warranty Statement & Return Policy for this or any SoundOff Signal product, visit our website at www.soundoffsignal.com/tech-services/returns/. If you have questions regarding this product, contact **Technical Services**, Monday - Friday, 8 a.m. to 5 p.m. ET at **1.800.338.7337** (press #4). Questions or comments that do not require immediate attention may be emailed to techservices@soundoffsignal.com.*

ENHANCING SAFETY THROUGH INNOVATION

obSERVE+ DOME LIGHT, 3"
0000JL 0723 REV A

SPECIFICATIONS:

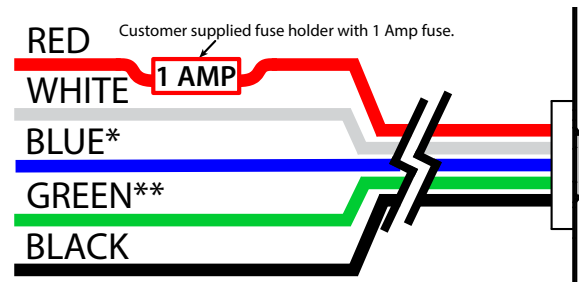
TECHNICAL SPECIFICATIONS				
Input Voltage:		10-32Vdc		
Single & Dual Color Max Power		5.4 Watts		
Lumen Values				
Single White	Dual White/Red		Dual White/Blue	
390 lm	White 350 lm	Red 110 lm	White 350 lm	Blue 100 lm
Single Color Current Consumption	Max Current 12Vdc		Max Current 24Vdc	
White	.45		.23	
Standby Current		<0.125mA		
Electrical Protection		Reverse Polarity Transient Protection		
Operating Temperature		-40°C to +65°C		
Materials / Finish		Lens: Polycarbonate Heatsink: Aluminum Bezel: ABS Plastic		
Dimensions		0.4"(10 mm) Depth 3.2"(82 mm) Diameter		
Wire Length		8" (200 mm)		
IP Rating		IPx8		
Certifications		ECE R10, CISPR25 Class 3		



WIRE INFORMATION:

WIRE HOOK-UP TABLE	
WIRE COLOR:	FUNCTION:
20 AWG RED	Power (Primary)
20 AWG WHITE	Trigger Color 1 (White)
20 AWG BLUE	Trigger Color 2 (Red or Blue)*
20 AWG GREEN	Low Power / Dim
20 AWG BLACK	Ground

*Only used on dual color dome lights **Used for Programming (See below)



LIGHT PROGRAMMING:

Table 1 (Soft ON/OFF Ramp Speed)

Items	Mode	Up	Down
1	Instant ON/OFF	0s	0s
2	Fast ON/OFF	0.25s	0.25s
3	Fast ON/SLOW OFF	0.25s	1s
4	Slow ON/OFF	0.75s	1.5s

Table 2 (Dim Level)

Items	Mode	Dim
1	Low	5%
2	Low/Medium	10%
3	Medium	20%
4	High	40%

Change Soft ON/OFF Ramp Speed

Change Color 1 Soft ON/OFF Speed	Apply Power to RED wire, then apply Power to WHITE wire to activate Color 1 LED. Apply GREEN wire to Ground (0.3 - 2 seconds) to advance to next mode (Table 1). Light head demonstrate Soft Off → Soft On → Normal Operation once the GREEN wire is released.
Change Color 2 Soft ON/OFF Speed	Apply Power to RED wire, then apply Power to BLUE wire to activate Color 2 LED. Apply GREEN wire to Ground (0.3 - 2 seconds) to advance to next mode (Table 1). Light head demonstrate Soft Off → Soft ON → Normal Operation once the GREEN wire is released.

Change Dim Level

Change Color 1 DIM Level	Apply Power to RED wire, then apply Power to WHITE wire to activate COLOR 1 LED. Apply GREEN wire to Ground (3 - 5 seconds) to advance to next DIM level (Table 2). Once the GREEN wire is released light head will demonstrate the selected Dim Level for 3 seconds.
Change Color 2 DIM Level	Apply Power to RED wire, then apply Power to BLUE wire to activate COLOR 2 LED. Apply GREEN wire to Ground (3 - 5 seconds) to advance to next DIM level (Table 2). Once the GREEN wire is released light head will demonstrate the selected Dim Level for 3 seconds.

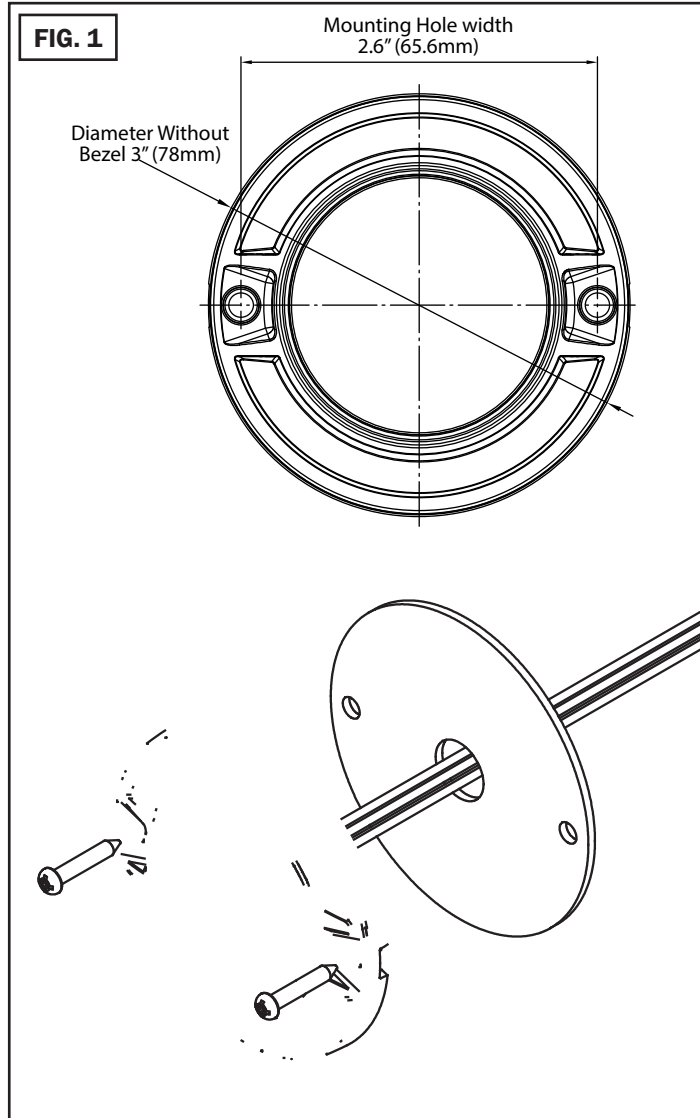
Factory Reset

Apply Power to RED wire, then apply Power to WHITE or BLUE wire. Apply GREEN wire to GROUND (>8 seconds), the light head will Flash 3 times, then turn OFF until GROUND is removed.

INSTALLATION:

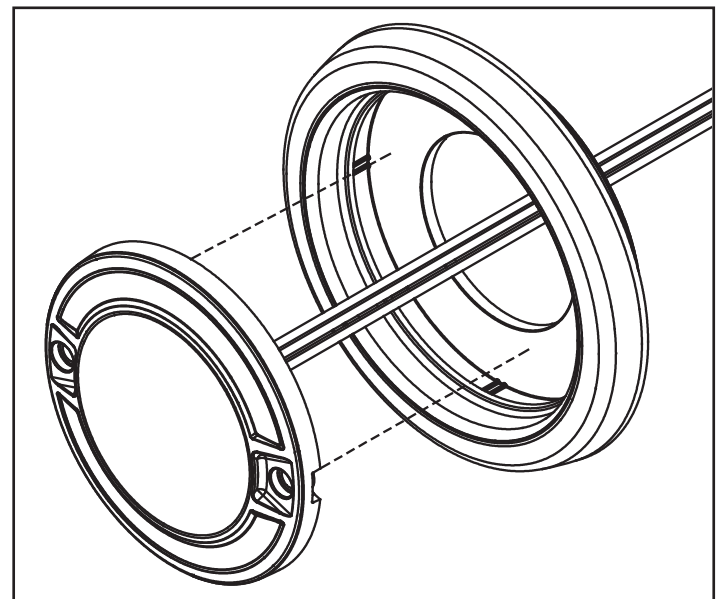
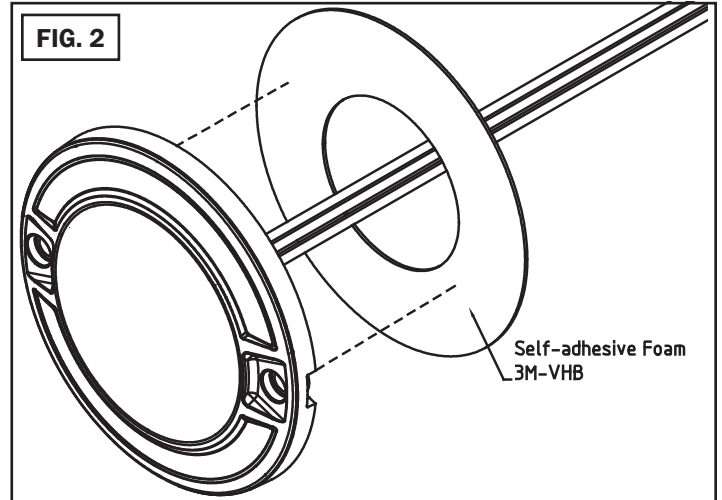
Screw Mount (FIG. 1)

1. Ensure surface is flat and space behind mounting surface is open and free of obstacles.
2. Choose mounting location and drill a 5/8" (16 mm) hole for the wire harness pass through.
3. Drill the 2 screw mounting holes (if needed)
4. Place Foam gasket onto the back of the light and feed wires through wire hole.
5. Mount the light onto the surface making sure to line up all holes on the light, foam gasket and mounting surface. Do not over tighten.
6. Clip Bezel onto light



Adhesive Mount (FIG. 2)

1. Ensure surface is flat and space behind mounting surface is open and free of obstacles.
2. Choose mounting location and drill a 5/8" (16 mm) hole for the wire harness to pass through.
3. Clean the surface with an alcohol wipe to prep surface for adhesive mounting.
4. Feed wires through the wire hole and line up light and firmly apply pressure for 30 seconds.
5. Clip Bezel onto light.



WARRANTY & RETURN GOODS PROCEDURE

WARNING MESSAGES - PLEASE READ:

WARNING - DRILLING ANY HOLES INTO THE DOME LIGHT IS NOT RECOMMENDED! THE RISK OF DAMAGING INTERNAL COMPONENTS AND THE RESULTING FAILURE OF THE DOME LIGHT WILL VOID ANY WARRANTY OF THIS PRODUCT.

WARNING - CARE MUST BE TAKEN WHEN DRILLING THROUGH THE VEHICLE NOT TO DRILL INTO ANY EXISTING WIRING CHECK BOTH SIDES OF THE MOUNTING SERVICE PRIOR TO DRILLING. DE-BURR ANY HOLES AND REMOVE ANY METAL SHARDS OR REMNANTS. INSTALL GROMMETS INTO ALL WIRE PASSAGE HOLES.

WARNING - ROUTE WIRES ONLY IN LOCATIONS THAT ARE NOT SUBJECTED TO POTENTIAL WEAR. MAKE SURE TO AVOID ROUTING WIRES IN THE DEPLOYMENT AREA OF YOUR AIR BAG. REFER TO YOUR VEHICLE OWNER'S MANUAL FOR AIR BAG DEPLOYMENT ZONES.

WARNING - ALL CUSTOMER SUPPLIED POWER WIRES CONNECTING TO THE POSITIVE (+) OR NEGATIVE (-) BATTERY TERMINAL OR LOCAL CHASSIS GROUND (-) MUST BE SIZED TO SUPPLY AT LEAST 125% OF THE MAXIMUM CURRENT AND PROPERLY FUSED AT THE POWER SOURCE WITH APPROPRIATELY RATED FUSE.

WARRANTY RETURN PROCESS:

Please scan QR code or visit <https://soundoffsignal.com/support-page/returns/>.



Alternatively contact your SoundOff Signal Sales Representative, Customer Services staff or our Technical Department (800.338.7337) for a RMA #, Return Merchandise Authorization Number.

The following information is required for issuance of the RMA #:

- Reason for returning the product*
- Address where replacement product is to be shipped*
- Telephone number where you may be reached*
- SoundOff Signal invoice number on which product was purchased**
- SoundOff Signal part number and serial number**
- E-mail address where RMA # should be e-mailed**
- Fax number where RMA # should be faxed**

* RMA # will not be given without this information.

** If available, please provide this information.

SoundOff Signal will NOT accept returns without an RMA #. Each RMA # is good for only one (1) return and will expire (30) days after the date it was issued. Products must be shipped back to SoundOff Signal and the RMA # clearly marked on the outside of the package near the shipping label. Please use the following address on your shipping label:

SoundOff Signal
ATTN: RMA # / Technical Services
3900 Central Parkway
Hudsonville, MI 49426

WARRANTY EXCLUSIONS:

Shipping & Handling, labor and service fees are non-refundable. SoundOff Signal is not liable for any damage due to installation or personal injury as a result of using SoundOff Signal product.

WARRANTY FORFEITURE:

Warranty will not be granted if the Warranty Return Policy & Procedure rules are not strictly followed. Physical damage resulting from customer abuse will void warranty. Warranty will also be voided if any SoundOff Signal and/or manufacturer serial tags, product stickers, seals, or the like, are removed, altered or tampered with. Returned product that is damaged by shipping via the RMA # procedure is not the responsibility of SoundOff Signal.

Document effective date on cover and below supersedes previously dated policies and statements.

There are no other warranties, expressed or implied, including, but not limited to, any implied merchantability or fitness for a particular use. SoundOff Signal reserves the right to modify this warranty statement at any time; or to discontinue, modify, or upgrade any products of its manufacture with design improvements without prior notice.