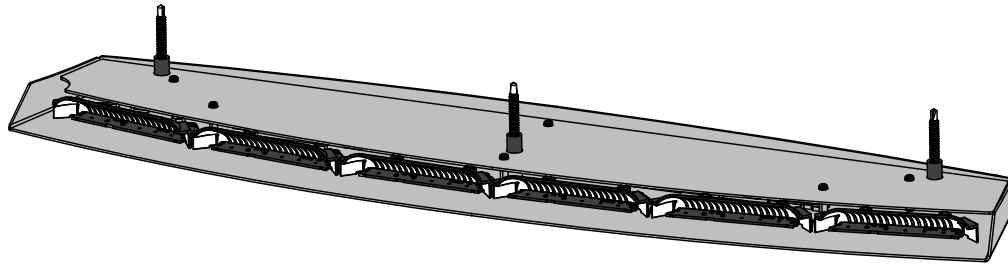




Interior Rear Lightbar Dodge Durango (2021-2023)



⚠️ WARNING

- HIGH CURRENT interconnects must be properly terminated. Poor crimp quality can cause heat build-up and fire. Follow crimp connector manufacturer instructions.
- DO NOT install this product or route any wires in the Air Bag Deployment Zone. Refer to vehicle Owner's Manual for deployment zones.
- Do NOT use system to disconnect headlights, brake lights or other safety equipment.
- Unit may become hot to touch during normal operation.
- Failure to properly install connectors, fuses or wiring may cause vehicle failure or fire.
- Installation must only be performed by trained technician. Installer must determine vehicle wiring configuration and proper integration of system.
- Use proper wire gauge. All power wires connecting to positive (+) or negative (-) battery terminal or local chassis ground (-) must be sized to supply at least 125% of max. current and properly fused at power source.
- Install protective grommets when routing wire through firewall or metal.

NOTICE:

Installers and users must comply with all applicable federal, state and local laws regarding use and installation of warning devices.

Improper use or installation may void warranty coverage.

To review our Limited Warranty Statement & Return Policy for this or any SoundOff Signal product, visit our website at www.soundoffsignal.com/tech-services/returns/. If you have questions regarding this product, contact **Technical Services**, Monday - Friday, 8 a.m. to 5 p.m. or after hours 5 p.m. to 8 p.m. ET at **1.800.338.7337** (press #4). Questions or comments that do not require immediate attention may be emailed to techservices@soundoffsignal.com.



1.800.338.7337 / www.soundoffsignal.com

INTRODUCTION:

Design highlights for 2021-2023 Dodge Durango nFORCE Lightbar for Rear Interior:

- 6 module, full shroud design
- Improved wire management incorporated into the design
- Top cover incorporated into this rear interior lightbar design, for improved look and Installation
- Smooth powder coat finish to blend in with vehicle interior

CONTENTS

QTY	COMPONENT
1	SHROUD
3	1/4"-20 x 3" SELF DRILLING SCREW
3	PLASTIC STANDOFF
1	THIN TRIM
1	DRILL TEMPLATES
1	PRODUCT WARNING CARD
1	INSTALLATION SHEET
1	CA PROP 65 CARD

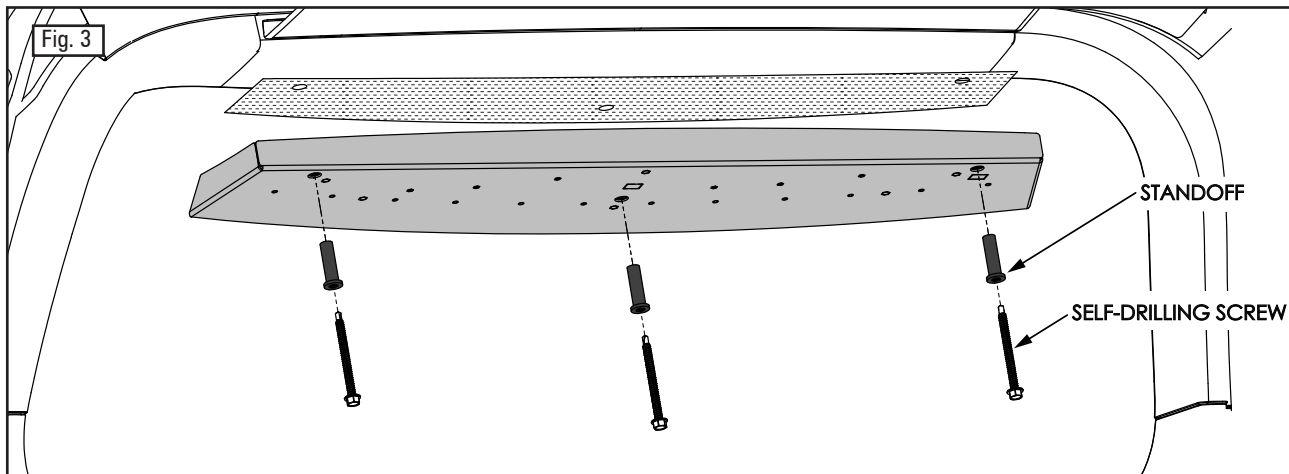
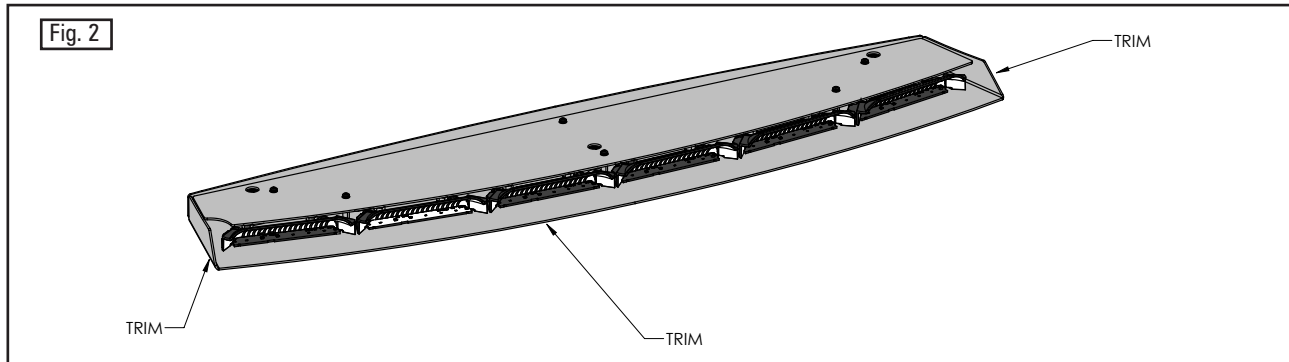
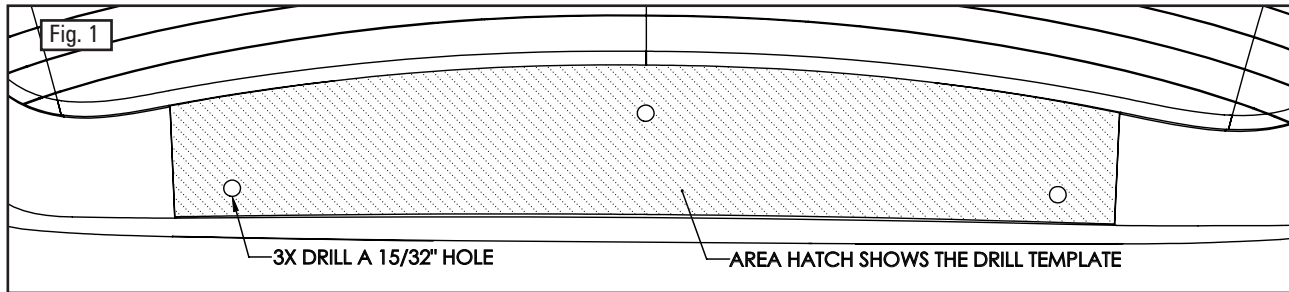
⚠️ WARNING

This product contains high intensity LED devices. To prevent eye damage, DO NOT stare into the light beam at close range.

SUPERIOR CUSTOMER RELATIONSHIPS. SMARTLY DESIGNED LIGHTING & ELECTRONIC SOLUTIONS.

nFORCE Interior Lightbar 2021-2023 Dodge Durango REAR 0523

Interior Rear Lightbar Dodge Durango (2021-2023)



INSTALLATION:

1. Open rear hatch of the Dodge Durango.
2. Attach the provided drill template to the interior trim of the vehicle using non-marking tape, as shown in Fig. 1. Align the drill template with the straight edge of the interior trim and use the curved edge to help centrally position the template. Measure side-to-side to ensure that the drill template is centered on the rear trim.
3. Install the provided thin trim material to the edges specified in Fig. 2.
4. Hold the lightbar assembly into place, ensuring that all edges of the shroud are in contact with a surface. Ensure that the mounting holes in the lightbar assembly line-up with the drill locations indicated on the drill template. Adjust the position of the drill template as needed.
5. Remove the interior trim piece before drilling. Consult your local Dodge dealer on recommended disassembly method.
6. With the interior trim piece removed, drill out the 3 holes in the interior trim as indicated on the drill template.
7. Reinstall the interior trim piece according to manufacturer specifications.

PRO TIP: Before mounting the lightbar, mark and drill pilot holes in the sheet metal for the 1/4" self-drilling screws in each of the 3 mounting locations.

8. While installing the lightbar, feed the power harness into the gap between the rear window and the interior trim. With the lightbar properly positioned, insert a plastic standoff into the centermost mounting location and secure with a 1/4", 3" self-drilling screw. Do not overtighten.
9. Line-up the two outermost mounting locations and insert the remaining standoffs and self-drilling screws, as shown in Fig. 3. Adjust as necessary.
10. Test to ensure proper functionality.

NOTICE:

Installers and users must comply with all applicable federal, state and local laws regarding use and installation of warning devices.

Improper use or installation may void warranty coverage.

To review our Limited Warranty Statement & Return Policy for this or any SoundOff Signal product, visit our website at www.soundoffsignal.com/tech-services/returns/. If you have questions regarding this product, contact **Technical Services**, Monday - Friday, 8 a.m. to 5 p.m. or after hours 5 p.m. to 8 p.m. ET at 1.800.338.7337 (press #4). Questions or comments that do not require immediate attention may be emailed to techservices@soundoffsignal.com.

**SoundOff
Signal**

1.800.338.7337 / www.soundoffsignal.com

SUPERIOR CUSTOMER RELATIONSHIPS. SMARTLY DESIGNED LIGHTING & ELECTRONIC SOLUTIONS.

nFORCE Interior Lightbar 2021-2023 Dodge Durango REAR 0523