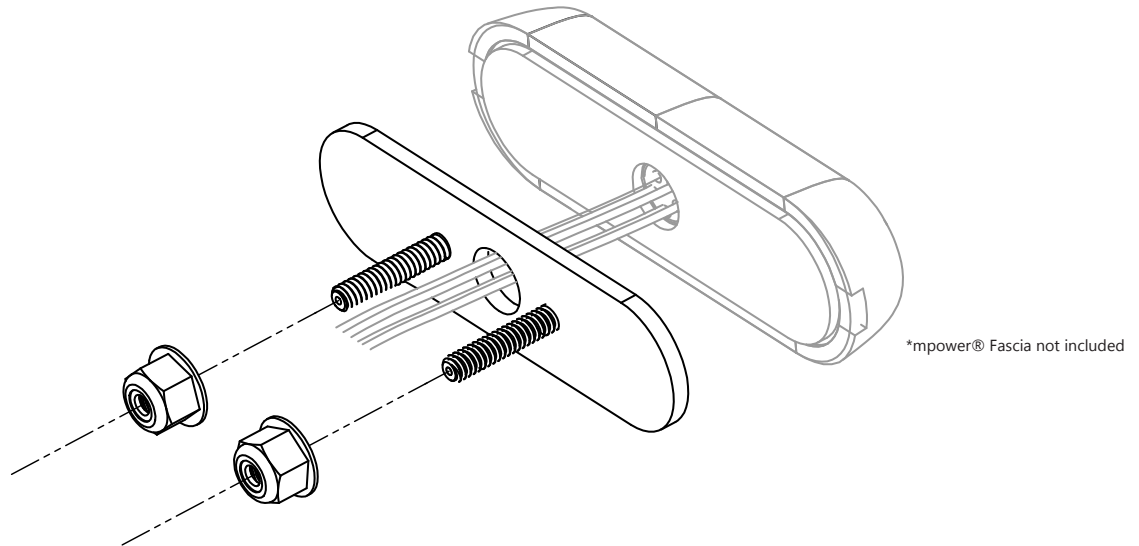


3" MPOWER FASCIA QUICK MOUNT TO STUD MOUNT CONVERSION BRACKET

PMP1BK005

For use with 3" mpower® Fascia Quick Mount lights



⚠ WARNING ⚠

- HIGH CURRENT interconnects must be properly terminated. Poor crimp quality can cause heat build-up and fire. Follow crimp connector manufacturer instructions.
- DO NOT install this product or route any wires in the Air Bag Deployment Zone. Refer to vehicle Owner's Manual for deployment zones.
- Do NOT use system to disconnect headlights, brake lights or other safety equipment.
- Unit may become hot to touch during normal operation.
- Failure to properly install connectors, fuses or wiring may cause vehicle failure or fire.
- Installation must only be performed by trained technician. Installer must determine vehicle wiring configuration and proper integration of system.
- Use proper wire gauge. All power wires connecting to positive (+) or negative (-) battery terminal or local chassis ground (-) must be sized to supply at least 125% of max. current and properly fused at power source.
- Install protective grommets when routing wire through firewall or metal.

INTRODUCTION..... 2
 COMPONENTS 2
 INSTALLATION INSTRUCTIONS 2

⚠ WARNING

ROUTE WIRES ONLY IN LOCATIONS THAT ARE NOT SUBJECTED TO POTENTIAL WEAR. MAKE SURE TO AVOID ROUTING WIRES IN THE DEPLOYMENT AREA OF YOUR AIR BAG. REFER TO YOUR VEHICLE'S OWNER'S MANUAL FOR AIRBAG DEPLOYMENT ZONES.



1.800.338.7337 / www.soundoffsignal.com

NOTICE:

Installers and users must comply with all applicable federal, state and local laws regarding use and installation of warning devices. *Improper use or installation may void warranty coverage. To review our Limited Warranty Statement & Return Policy for this or any SoundOff Signal product, visit our website at www.soundoffsignal.com/tech-services/returns/. If you have questions regarding this product, contact **Technical Services**, Monday - Friday, 8 a.m. to 5 p.m. ET at **1.800.338.7337** (press #4). Questions or comments that do not require immediate attention may be emailed to techservices@soundoffsignal.com.*

INTRODUCTION:

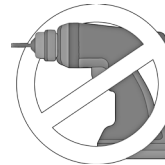
Thank you for purchasing the PMP1BK005 conversion bracket. This will allow a 3" mPower Fascia Quick Mount** to be converted to a Stud Mount application.

CONTAINS		
ITEM #	COMPONENT	QTY
1	CONVERSION BRACKET	1
2	6-32 HEX FLANGE NYLON LOCKING NUTS	2
3	PRODUCT WARNING CARD	1
4	CA PROP 65 LABEL	1

**3" mpower® Fascia Quick Mount not included

INSTALLATION:

1. Clean surface of bracket with supplied* alcohol wipe.
2. Feed wire through the wire hole in the bracket.
3. Remove adhesive backer and align light onto bracket. Apply to surface and hold firmly for 30 seconds. CAUTION! APPLY UNIFORM PRESSURE ACROSS FULL FACE OF LIGHT.
4. Use nylon locking nuts to secure bracket to install surface. Tighten the locking nuts by hand (DO NOT use power tools)



DO NOT USE POWER TOOLS TO TIGHTEN

*Wipe is provided with mpower quick mount light (sold separately)