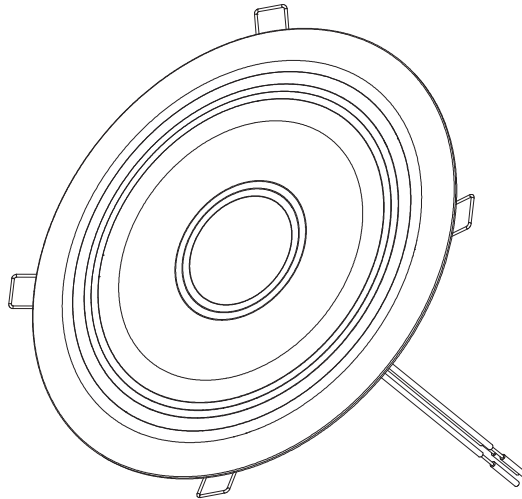


# obSERVE DOME LIGHT, 8” INSTALLATION SHEET

EBSDL0003-W (WHITE)



## WARNING


- HIGH CURRENT interconnects must be properly terminated. Poor crimp quality can cause heat build-up and fire. Follow the crimp connector manufacturer instructions.
- DO NOT install this product or route any wires in the Air Bag Deployment Zone. Refer to vehicle Owner’s Manual for deployment zones.
- Do NOT use system to disconnect headlights, brake lights or other safety equipment.
- Unit may become hot to touch during normal operation.
- Failure to properly install connectors, fuses or wiring may cause vehicle failure or fire.
- Installation must only be performed by trained technician. Installer must determine vehicle wiring configuration and proper integration of system.
- Use proper wire gauge. All power wires connecting to positive (+) or negative (-) battery terminal or local chassis ground (-) must be sized to supply at least 125% of max. current and properly fused at power source.
- Install protective grommets when routing wire through firewall or metal.

DIMENSIONS / TECHNICAL SPECIFICATIONS . . . . 2

ELECTRICAL INSTALLATION / INFORMATION . . . . 2

LIGHT INSTALLATION . . . . . 3

WARRANTY INFORMATION . . . . . 4

 **W A R N I N G**

ROUTE WIRES ONLY IN LOCATIONS THAT ARE NOT SUBJECTED TO POTENTIAL WEAR. MAKE SURE TO AVOID ROUTING WIRES IN THE DEPLOYMENT AREA OF YOUR AIR BAG. REFER TO YOUR VEHICLE’S OWNER’S MANUAL FOR AIRBAG DEPLOYMENT ZONES.



1.800.338.7337 / [www.soundoffsignal.com](http://www.soundoffsignal.com)

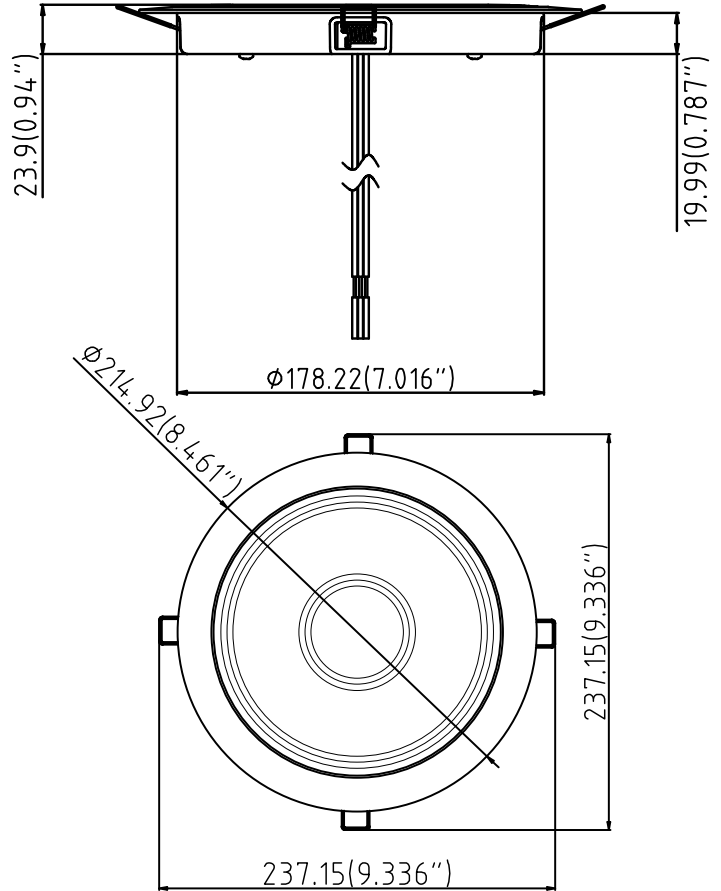
**NOTICE:**

Installers and users must comply with all applicable federal, state and local laws regarding use and installation of warning devices. *Improper use or installation may void warranty coverage. To review our Limited Warranty Statement & Return Policy for this or any SoundOff Signal product, visit our website at [www.soundoffsignal.com/tech-services/returns/](http://www.soundoffsignal.com/tech-services/returns/). If you have questions regarding this product, contact **Technical Services**, Monday - Friday, 8 a.m. to 5 p.m. ET at 1.800.338.7337 (press #4). Questions or comments that do not require immediate attention may be emailed to [techservices@soundoffsignal.com](mailto:techservices@soundoffsignal.com).*

ENHANCING SAFETY THROUGH INNOVATION

# obSERVE DOME LIGHT, 8" / SPECIFICATIONS: //

TECHNICAL SPECIFICATIONS			
Input Voltage:		10-16Vdc	
Single Color Max Power		13.2 Watts	
Max Lumen Values			
Full Power	1107 lm	Low Power	102 lm
Current Consumption		Max Current 12Vdc	
White		1.1 Amps	
Standby Current		<0.125mA	
Electrical Protection		Reverse Polarity Transient Protection	
Operating Temperature		-40°C to +65°C	
Materials / Finish		Lens: Polycarbonate Heatsink: Aluminum	
Dimensions		0.94"(23.9 mm) Depth 8.5"(215 mm) Diameter	
Wire Length		8" (200 mm)	
Certifications		ECE R10	



# obSERVE DOME LIGHT, 8" WIRE INFORMATION: //

WIRE HOOK-UP TABLE	
WIRE COLOR:	FUNCTION:
20 AWG RED	Power (Primary)
20 AWG WHITE	Low Power / Dim
20 AWG BLACK	Ground

### OPERATION:

Each unit may be operated in one of the two modes:

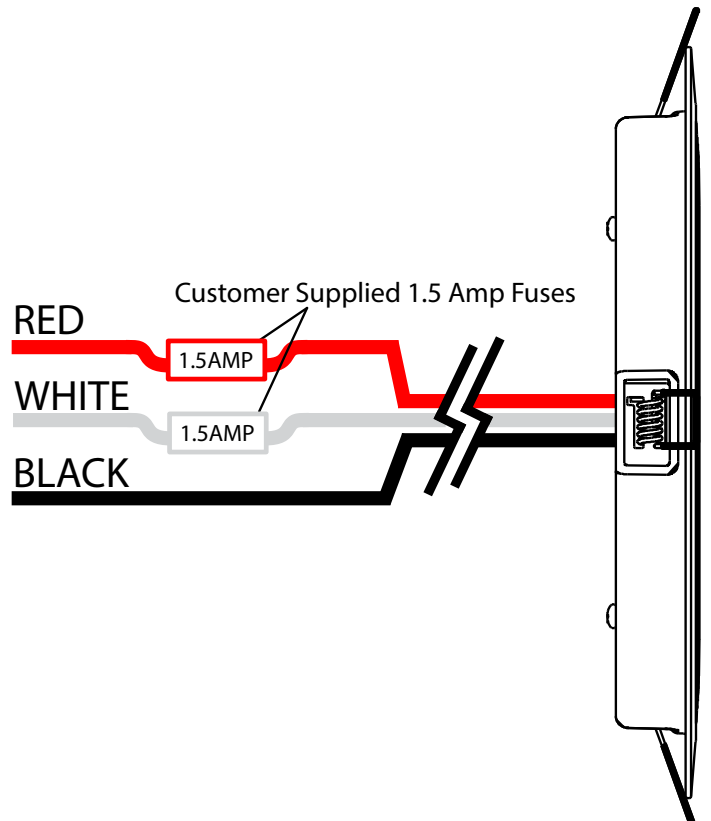
#### Operating in Bright Mode:

With the black wire connected to chassis ground, connect the red wire to +12VDC to illuminate the light at full intensity (Bright mode).

#### Operating in Dim Mode:

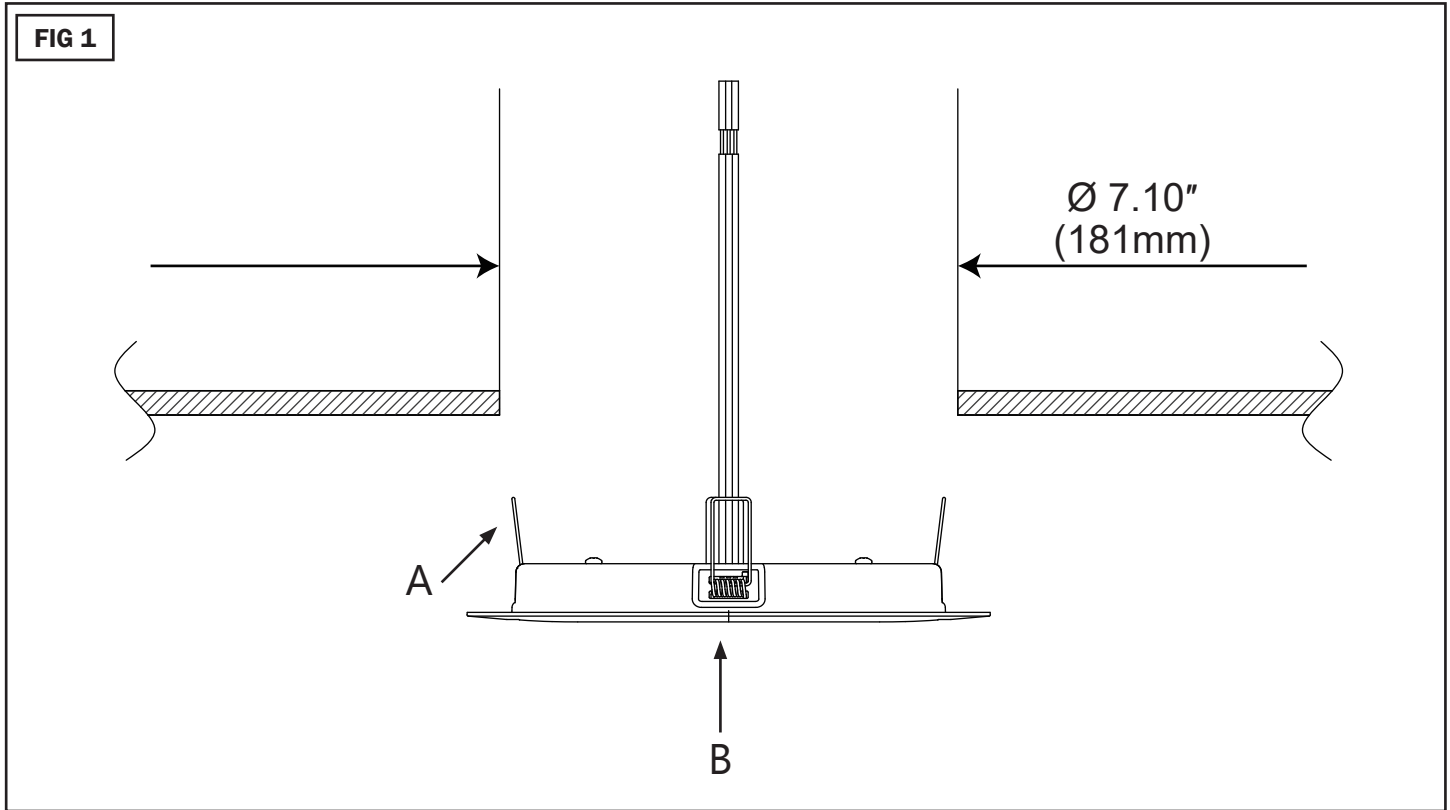
With the black wire connected to chassis ground, connect the white wire to +12VDC to illuminate the light in Dim Mode.

**NOTE: Bright Mode has priority over Dim Mode.**



# obSERVE DOME LIGHT, 8" INSTALLATION:

1. Create a  $\text{\O} 7.10''$  (181mm) cut-out on the selected mounting surface.
2. Make all wiring connections.
3. (A) Push the 4 snap-springs inward (B), and insert the light into cut-out; the snap-springs will fix the light into the position.
4. Test for proper operation.



# WARRANTY & RETURN GOODS PROCEDURE

**WARNING MESSAGES - PLEASE READ:**

**WARNING** - DRILLING ANY HOLES INTO THE DOME LIGHT IS NOT RECOMMENDED! THE RISK OF DAMAGING INTERNAL COMPONENTS AND THE RESULTING FAILURE OF THE DOME LIGHT WILL VOID ANY WARRANTY OF THIS PRODUCT.

**WARNING** - CARE MUST BE TAKEN WHEN DRILLING THROUGH THE VEHICLE NOT TO DRILL INTO ANY EXISTING WIRING CHECK BOTH SIDES OF THE MOUNTING SERVICE PRIOR TO DRILLING. DE-BURR ANY HOLES AND REMOVE ANY METAL SHARDS OR REMNANTS. INSTALL GROMMETS INTO ALL WIRE PASSAGE HOLES.

**WARNING** - ROUTE WIRES ONLY IN LOCATIONS THAT ARE NOT SUBJECTED TO POTENTIAL WEAR. MAKE SURE TO AVOID ROUTING WIRES IN THE DEPLOYMENT AREA OF YOUR AIR BAG. REFER TO YOUR VEHICLE OWNER'S MANUAL FOR AIR BAG DEPLOYMENT ZONES.

**WARNING** - ALL CUSTOMER SUPPLIED POWER WIRES CONNECTING TO THE POSITIVE (+) OR NEGATIVE (-) BATTERY TERMINAL OR LOCAL CHASSIS GROUND (-) MUST BE SIZED TO SUPPLY AT LEAST 125% OF THE MAXIMUM CURRENT AND PROPERLY FUSED AT THE POWER SOURCE WITH APPROPRIATELY RATED FUSE.

**IMPORTANT:** When passing cables through fire wall or other sheet metal, insert grommet to protect the cable!

**WARRANTY RETURN PROCESS:**

Please scan QR code or visit <https://soundoffsignal.com/support-page/returns/>.



Alternatively contact your SoundOff Signal Sales Representative, Customer Services staff or our Technical Department (800.338.7337) for a RMA #, Return Merchandise Authorization Number.

The following information is required for issuance of the RMA #:

- Reason for returning the product\*
- Address where replacement product is to be shipped\*
- Telephone number where you may be reached\*
- SoundOff Signal invoice number on which product was purchased\*\*
- SoundOff Signal part number and serial number\*\*
- E-mail address where RMA # should be e-mailed\*\*
- Fax number where RMA # should be faxed\*\*

\* RMA # will not be given without this information.

\*\* If available, please provide this information.

SoundOff Signal will NOT accept returns without an RMA #. Each RMA # is good for only one (1) return and will expire (30) days after the date it was issued. Products must be shipped back to SoundOff Signal and the RMA # clearly marked on the outside of the package near the shipping label. Please use the following address on your shipping label:

SoundOff Signal  
ATTN: RMA # / Technical Services  
3900 Central Parkway  
Hudsonville, MI 49426

**WARRANTY EXCLUSIONS:**

Shipping & Handling, labor and service fees are non-refundable. SoundOff Signal is not liable for any damage due to installation or personal injury as a result of using SoundOff Signal product.

**WARRANTY FORFEITURE:**

Warranty will not be granted if the Warranty Return Policy & Procedure rules are not strictly followed. Physical damage resulting from customer abuse will void warranty. Warranty will also be voided if any SoundOff Signal and/or manufacturer serial tags, product stickers, seals, or the like, are removed, altered or tampered with. Returned product that is damaged by shipping via the RMA # procedure is not the responsibility of SoundOff Signal.

Document effective date on cover and below supersedes previously dated policies and statements.

There are no other warranties, expressed or implied, including, but not limited to, any implied merchantability or fitness for a particular use. SoundOff Signal reserves the right to modify this warranty statement at any time; or to discontinue, modify, or upgrade any products of its manufacture with design improvements without prior notice.