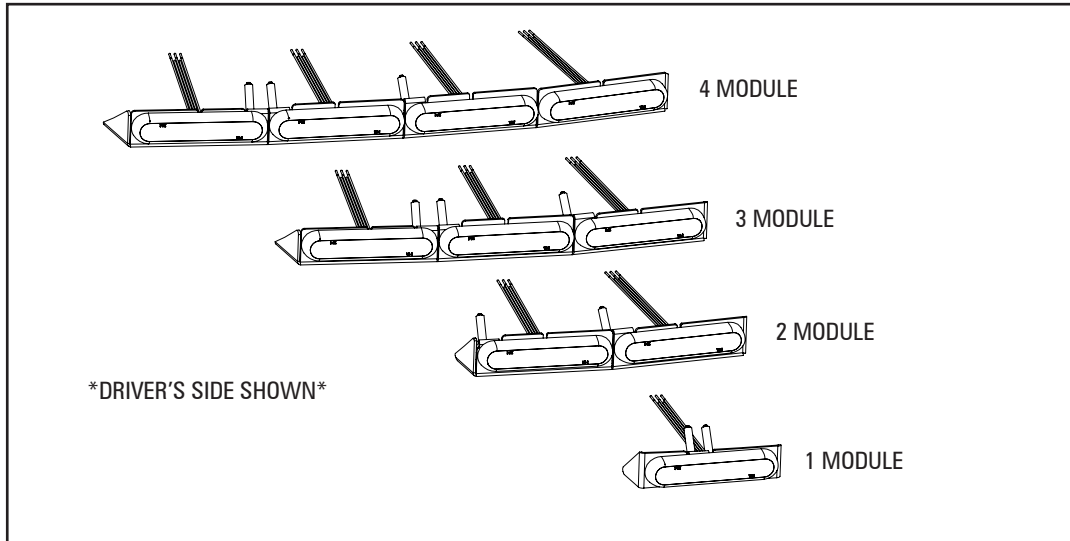




## 2021-2023 DODGE DURANGO SPOILER BRACKET

PMP2RS(X)05 - For use with 4" mpower fascia Stud Mount Lights



### ⚠ WARNING

- HIGH CURRENT interconnects must be properly terminated. Poor crimp quality can cause heat build-up and fire. Follow crimp connector manufacturer instructions.
- DO NOT install this product or route any wires in the Air Bag Deployment Zone. Refer to vehicle Owner's Manual for deployment zones.
- Do NOT use system to disconnect headlights, brake lights or other safety equipment.
- Unit may become hot to touch during normal operation.
- Failure to properly install connectors, fuses or wiring may cause vehicle failure or fire.
- Installation must only be performed by trained technician. Installer must determine vehicle wiring configuration and proper integration of system.
- Use proper wire gauge. All power wires connecting to positive (+) or negative (-) battery terminal or local chassis ground (-) must be sized to supply at least 125% of max. current and properly fused at power source.
- Install protective grommets when routing wire through firewall or metal.



1.800.338.7337 / www.soundoffsignal.com

### FEATURES:

- Warning arrow greatly reduces install time through use of 3-wire technology
- Functionality mimics the rear of a lightbar
- Integrates under the spoiler of the vehicle for a seamless look
- Available in single, dual or tricolor

### PART NUMBERS:

- **PMP2RS105:** Rear Spoiler Bracket, 1 Module Kit, Black, for use with mpower 4" Fascia Stud Mount Light – 2021 + Dodge Durango
- **PMP2RS205:** Rear Spoiler Bracket, 2 Module Kit, Black, for use with mpower 4" Fascia Stud Mount Light – 2021 + Dodge Durango
- **PMP2RS305:** Rear Spoiler Bracket, 3 Module Kit, Black, for use with mpower 4" Fascia Stud Mount Light – 2021 + Dodge Durango
- **PMP2RS405:** Rear Spoiler Bracket, 4 Module Kit, Black, for use with mpower 4" Fascia Stud Mount Light – 2021 + Dodge Durango

COMPONENT	QUANTITY			
	PMP2RS105	PMP2RS205	PMP2RS305	PMP2RS405
2021 + Dodge Durango Left Bracket	1	1	1	1
2021 + Dodge Durango Right Bracket	1	1	1	1
6-32 Rivnut	4	4	6	6
6-32 Allen Screw	4	4	6	6
Installation Instruction Sheet	1	1	1	1
Product Warning Card	1	1	1	1

### NOTICE:

Installers and users must comply with all applicable federal, state and local laws regarding use and installation of warning devices.

*Improper use or installation may void warranty coverage.*

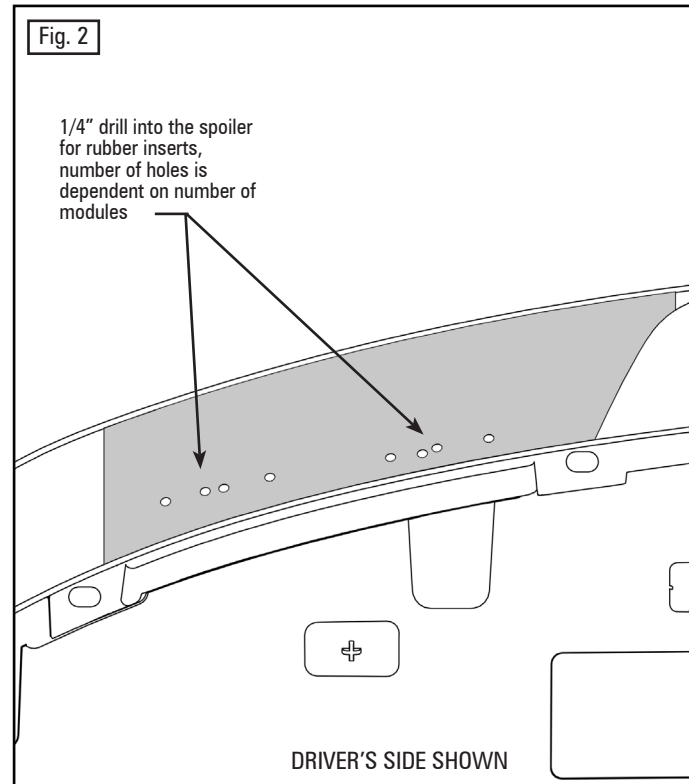
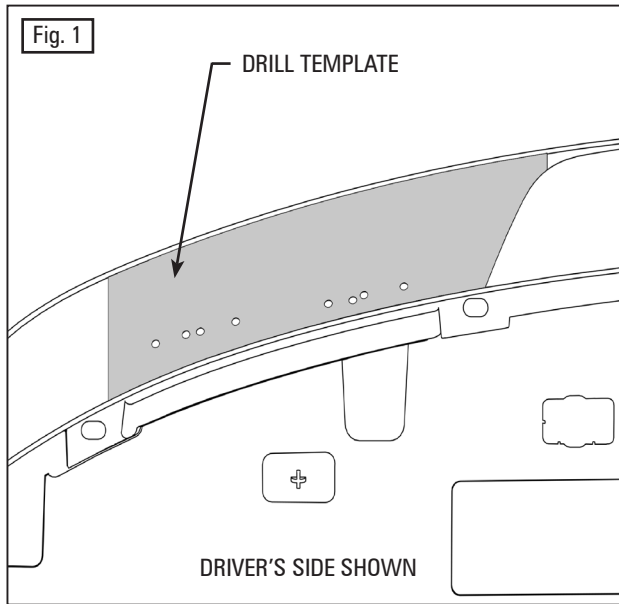
To review our Limited Warranty Statement & Return Policy for this or any SoundOff Signal product, visit our website at [www.soundoffsignal.com/tech-services/returns/](http://www.soundoffsignal.com/tech-services/returns/).

If you have questions regarding this product, contact **Technical Services**, Monday - Friday, 8 a.m. to 5 p.m. ET at 1.800.338.7337 (press #4).

Questions or comments that do not require immediate attention may be emailed to [techservices@soundoffsignal.com](mailto:techservices@soundoffsignal.com).

ENHANCING SAFETY THROUGH INNOVATION

## 2021-2023 DODGE DURANGO SPOILER BRACKET



### INSTALLATION:

1. Remove rear spoiler from the vehicle using the manufacturer's recommended method. Lay the included drill template onto the driver's side of the spoiler, as shown in Fig.1. Line up the template with the edge of the spoiler that would be closest to the glass to properly position it. The template will fit nicely on the approximately flat areas of the spoiler.
2. Secure the template in place with non-marking tape.
3. Refer to the chart below and to the included template for drill instructions:

BRACKET TYPE	MOUNTING HOLES
1 MODULE	E, F
2 MODULE	D, H
3 MODULE	C, D, H
4 MODULE	A, B, G

4. Scribe the drill locations indicated by the template, remove the template, and drill, as shown in Fig. 2.

### NOTICE:

Installers and users must comply with all applicable federal, state and local laws regarding use and installation of warning devices.

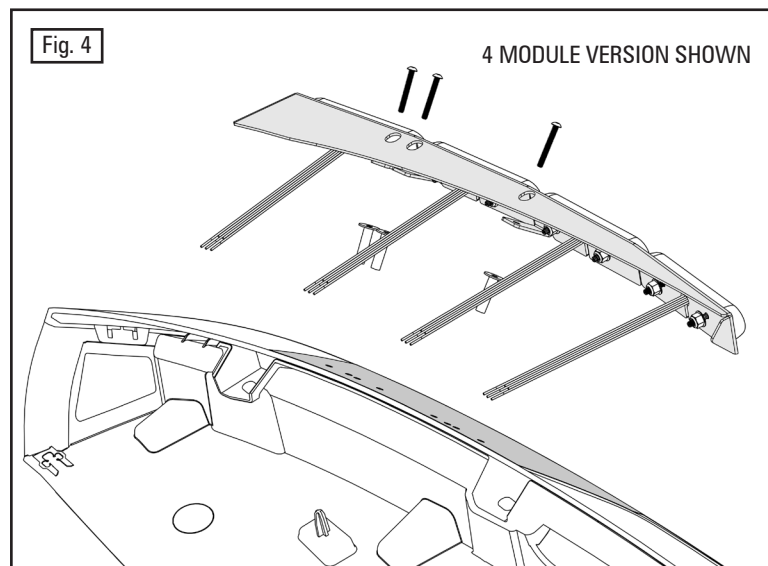
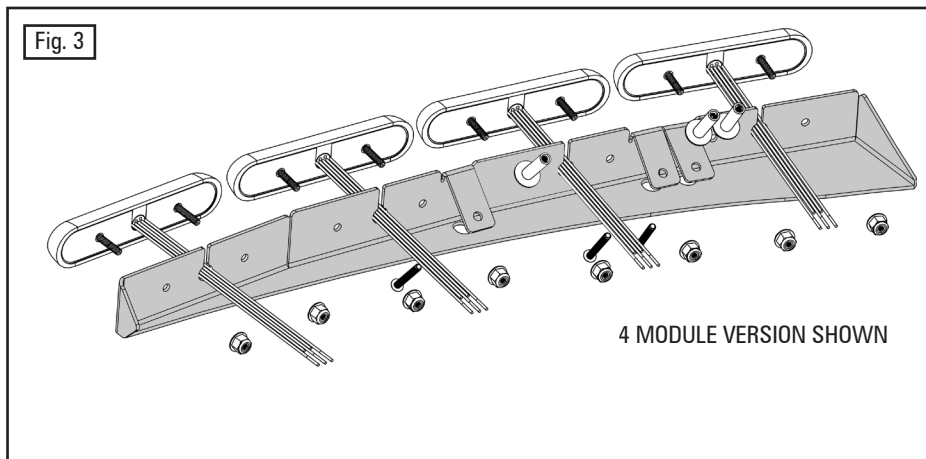
*Improper use or installation may void warranty coverage.*

To review our Limited Warranty Statement & Return Policy for this or any SoundOff Signal product, visit our website at [www.soundoffsignal.com/tech-services/returns/](http://www.soundoffsignal.com/tech-services/returns/).

If you have questions regarding this product, contact **Technical Services**, Monday - Friday, 8 a.m. to 5 p.m. ET at 1.800.338.7337 (press #4).

Questions or comments that do not require immediate attention may be emailed to [techservices@soundoffsignal.com](mailto:techservices@soundoffsignal.com).

## 2021-2023 DODGE DURANGO SPOILER BRACKET



### NOTICE:

Installers and users must comply with all applicable federal, state and local laws regarding use and installation of warning devices.

*Improper use or installation may void warranty coverage.*

To review our Limited Warranty Statement & Return Policy for this or any SoundOff Signal product, visit our website at [www.soundoffsignal.com/tech-services/returns/](http://www.soundoffsignal.com/tech-services/returns/).

If you have questions regarding this product, contact **Technical Services**, Monday - Friday, 8 a.m. to 5 p.m. ET at 1.800.338.7337 (press #4).

Questions or comments that do not require immediate attention may be emailed to [techservices@soundoffsignal.com](mailto:techservices@soundoffsignal.com).

### INSTALLATION (CONT):

5. Flip the drill template over and lay the template on the passenger's side of the spoiler. Temporarily, secure in place with non-marking tape. Scribe the drill locations indicated by the template.
6. Remove the template and drill as indicated.

**If a configured, mpower® Arrow Kit was purchased, skip to Step 8.**

7. Attach the lights to the included brackets, as shown in Fig. 3. Apply a torque of no more than 15 in-lbs.
8. Press the 6-32 rubber inserts into the spoiler. Then place the bracket, as shown in Figure 4. Tuck the wires inside the bracket. The harness will be routed through the gap between the rear window and the spoiler. Secure with screws supplied. Hand tighten the screws using a hex key. Repeat for opposite side.
9. Before re-installing the rear spoiler, make all electrical connections. Refer to the mpower arrow kit instruction sheets for details.
10. Reassemble spoiler assembly according to manufacturer's specifications. While reassembling, route the harness through the gap between the windshield and the spoiler. The harness for the spoiler kit can be routed into the vehicle in the same location that other harnesses in the spoiler enter the vehicle.
11. Once fully reassembled, test to ensure proper functionality.