

SL RUNNING LIGHT MOUNTING INSTRUCTION SHEET

2021 - 2024 FORD F-150 / PSLVBK06

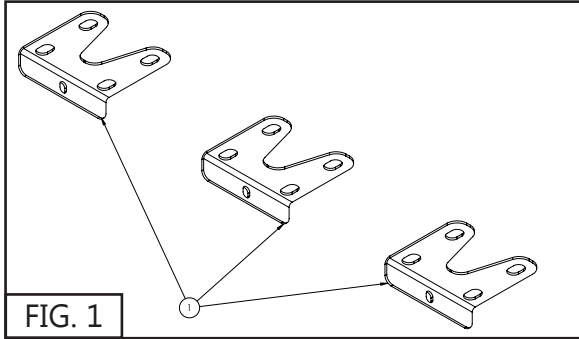


FIG. 1



FIG. 2

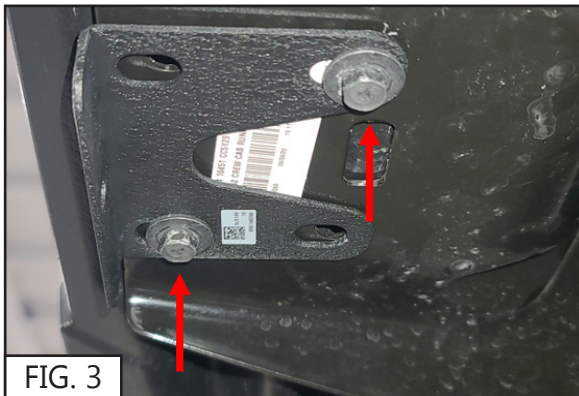


FIG. 3



FIG. 4

CONTAINS		
#	QTY*	COMPONENT
1	3	2021-2024 F150 SL RUNNING LIGHT BRACKET

NOTE: THIS KIT ONLY SUPPORTS ONE LIGHT. MUST PURCHASE 2 HARDWARE KITS TO SUPPORT BOTH SIDES OF VEHICLE.

Kit only works with the following Running Boards / Step Bars:

- Black Platform Running Boards
- Accent-Color Angular Step Bar
- Chrome Angular Step Bar
- Stone Gray Angular Step Bar
- Chrome Step Bars
- Accent-Color Step Bars

INSTALLATION:

1. The kit includes 3 brackets to mount the SL Running Light to the bottom of the Ford factory running board bracket (See Fig. 2).
2. Using a 13mm socket, remove the bolts from the factory running board.
3. Take one of the brackets provided in the kit and hold it where the bolts were just removed. Line the slots in the bracket with the screw holes in the running board,
4. Insert the bolts removed in step 2 into the running board on top of the SL Running Light bracket (see Fig. 3). Make sure to leave bolts loose for adjustment when installing SL Running light. Do the same steps for the other two running board brackets on the side of the vehicle.
5. With all the brackets loosely mounted, take out the SL Running light and position the included 8mm bolts into the back channel of the SL Running light. Then line up the bolts with the brackets that were just installed.
6. Once lined up, push the bolts through the slots in the mounting bracket and place a lock washer on first then the nut to hold the SL Running Light in place.
7. With the SL Running Lights bolted to the bracket, tighten up the factory running board bolts to OEM spec. Then, tighten down the nuts on the back side of the SL Running Light (See Fig. 4).

NOTICE:

Installers and users must comply with all applicable federal, state and local laws regarding use and installation of warning devices. *Improper use or installation may void warranty coverage. To review our Limited Warranty Statement & Return Policy for this or any SoundOff Signal product, visit our website at www.soundoffsignal.com/tech-services/returns/. If you have questions regarding this product, contact **Technical Services**, Monday - Friday, 8 a.m. to 5 p.m. ET at 1.800.338.7337 (press #4). Questions or comments that do not require immediate attention may be emailed to techservices@soundoffsignal.com.*

**SoundOff
Signal**

1.800.338.7337 / www.soundoffsignal.com

ENHANCING SAFETY THROUGH INNOVATION

PSLVBK06
ENGLISH 0000JL 0223 REV A