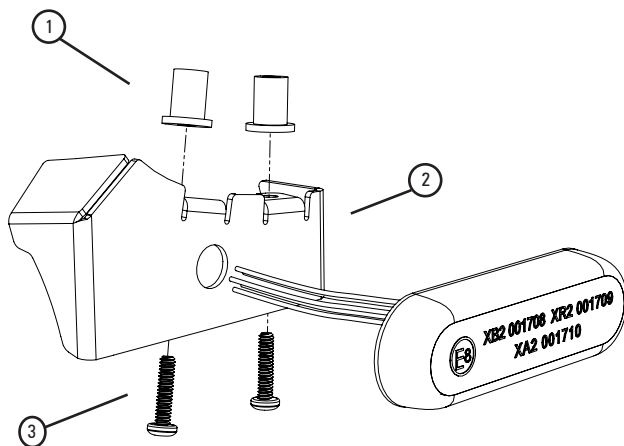


# PMP1BKUMB5-x - Under Mirror Mount Bracket Kit (each)

## 2016-2023 Dodge Charger Police Pursuit & Civilian Vehicles

For 3" mpower® Quick Mount



PMP1BKUMB5-D IS SHOWN\*

### ⚠ WARNING

- HIGH CURRENT interconnects must be properly terminated. Poor crimp quality can cause heat build-up and fire. Follow crimp connector manufacturer instructions.
- DO NOT install this product or route any wires in the Air Bag Deployment Zone. Refer to vehicle Owner's Manual for deployment zones.
- Do NOT use system to disconnect headlights, brake lights or other safety equipment.
- Unit may become hot to touch during normal operation.
- Failure to properly install connectors, fuses or wiring may cause vehicle failure or fire.
- Installation must only be performed by trained technician. Installer must determine vehicle wiring configuration and proper integration of system.
- Use proper wire gauge. All power wires connecting to positive (+) or negative (-) battery terminal or local chassis ground (-) must be sized to supply at least 125% of max. current and properly fused at power source.
- Install protective grommets when routing wire through firewall or metal.

Installers and users must comply with all applicable federal, state and local laws regarding use and installation of warning devices.

### NOTICE:

*Improper use or installation may void warranty coverage.*

To review our Limited Warranty Statement & Return Policy for this or any SoundOff Signal product, visit our website at [www.soundoffsignal.com/tech-services/returns/](http://www.soundoffsignal.com/tech-services/returns/).

If you have questions regarding this product, contact **Technical Services**, Monday - Friday, 8 a.m. to 5 p.m. ET at 1.800.338.7337 (press #4).

Questions or comments that do not require immediate attention may be emailed to [techservices@soundoffsignal.com](mailto:techservices@soundoffsignal.com).

### INTRODUCTION:

mpower® Fascia Light Features:

- 3" Quick Mount is compatible with this bracket design
- Collaboration with Dow Corning® to develop ClearDuty™ optical design
- Greater resistance to gravel pitting, scratching, or cracking
- Improved sealing to prevent water from entering light
- Higher UV and thermal stability to prevent lens from yellowing over time

PART#	YEAR, MAKE, AND MODEL	*COMPATIBLE WITH...
PMP1BKUMB5-(D) (002BR1075)	2016-2023 Dodge Charger	3" mpower® Quick Mount, Driver Side
PMP1BKUMB5-(P) (002BR1076)	2016-2023 Dodge Charger	3" mpower® Quick Mount, Passenger Side

### CONTENTS

ITEM#	QTY	COMPONENT
1	2	NEOPRENE RIVET NUT 6-32
2	1	BRACKET
3	2	6-32 5/8" TORX BOLT
	1	PRODUCT WARNING CARD
	1	INSTRUCTION SHEET

\*mpower Light Sold Separately

\*Installation instructions are for the driver's side bracket (PMP1BKUMB5-D). Installation for the passenger side is the same.

# SoundOff Signal

1.800.338.7337 / [www.soundoffsignal.com](http://www.soundoffsignal.com)

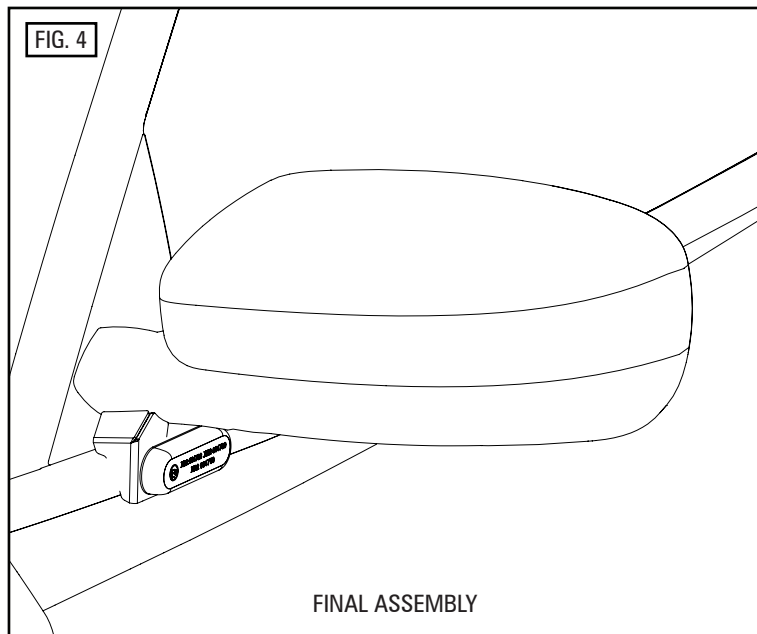
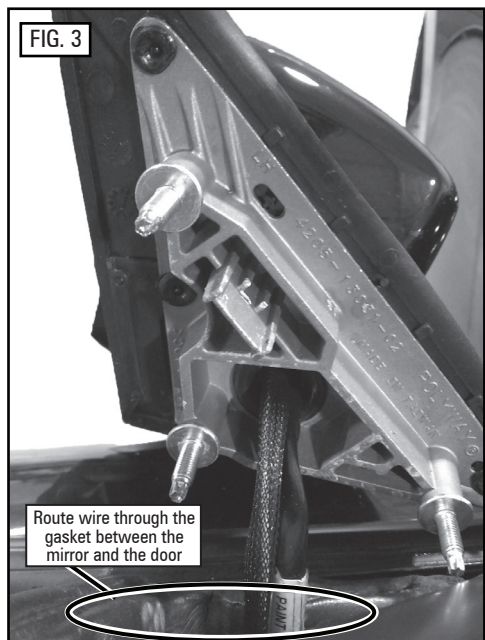
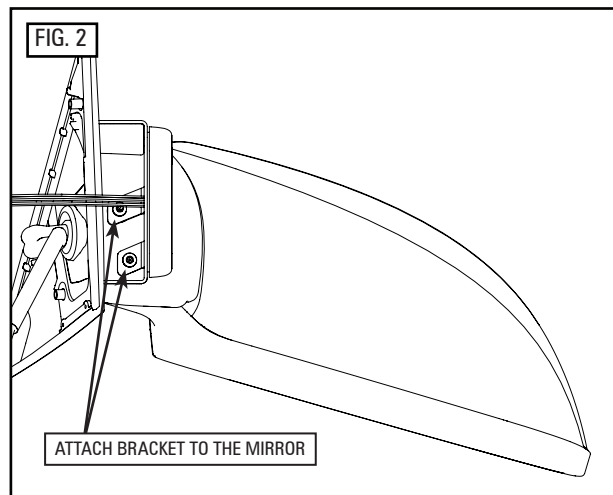
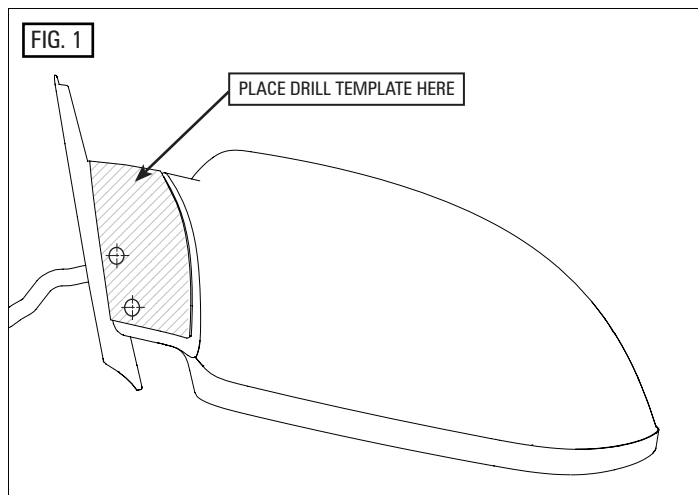
1

ENHANCING SAFETY THROUGH INNOVATION

PMP1BKUMB5-x 1122 REV B

# PMP1BKUMB5-x - Under Mirror Mount Bracket Kit (each) 2016-2023 Dodge Charger Police Pursuit & Civilian Vehicles

For 3" mpower® Quick Mount



## INSTALLATION

1. Remove the driver side mirror, per the manufacturer's instructions.
2. Align the driver side drill template on the underside of the mirror, as shown in Figure 1. Use a non-marking tape to hold the drill template in place. Hatch marks show where the drill template should be placed.
3. Use an awl to mark the hole locations indicated on the drill template.
4. Carefully drill the two holes and a wire pass through hole.
5. Attach the mpower light to the bracket following the quick mount mpower instructions.
6. Using the included neoprene nuts and bolts attach the bracket to the mirror, as shown in Figure 2. Do not tighten these bolts more than 6 in-lbs.
7. Route the wire from the mpower module into the mirror housing and through the gasket between the mirror and the door, as shown in Figure 3.
8. Attach the mirror loosely to the door. Check to make sure the under mirror bracket is aligned properly before firmly attaching the mirror to the door.
9. Repeat steps one through eight using the passenger side bracket.

### NOTICE:

Installers and users must comply with all applicable federal, state and local laws regarding use and installation of warning devices.

*Improper use or installation may void warranty coverage.*

To review our Limited Warranty Statement & Return Policy for this or any SoundOff Signal product, visit our website at [www.soundoffsignal.com/tech-services/returns/](http://www.soundoffsignal.com/tech-services/returns/).

If you have questions regarding this product, contact **Technical Services**, Monday - Friday, 8 a.m. to 5 p.m. ET at 1.800.338.7337 (press #4).

Questions or comments that do not require immediate attention may be emailed to [techservices@soundoffsignal.com](mailto:techservices@soundoffsignal.com).

# SoundOff Signal

1.800.338.7337 / [www.soundoffsignal.com](http://www.soundoffsignal.com)