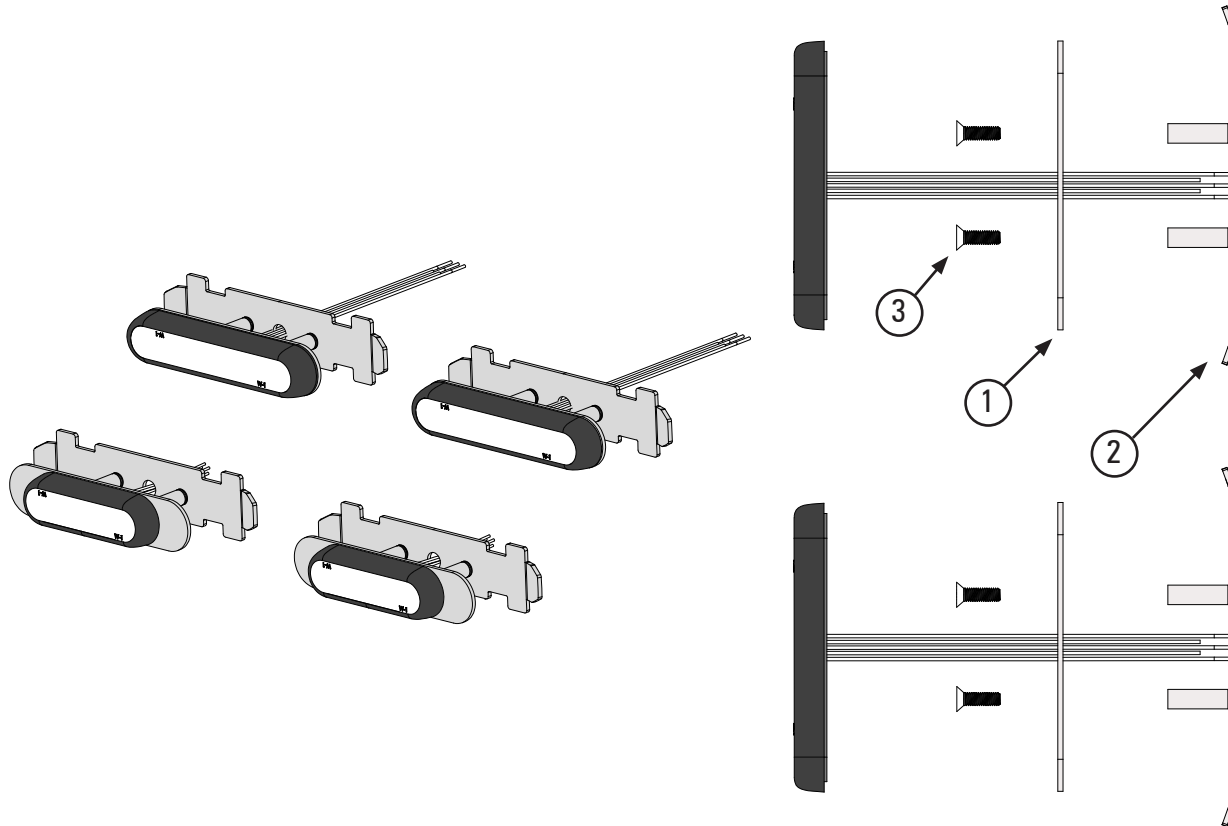


**2021-2023 FORD F-150 POLICE, SSV, AND CIVILIAN (XL AND XLT MODELS)
FOR USE WITH THE 3 & 4" QUICK MOUNT MPOWER LIGHTS
PMP2BK007 – GRILLE MOUNT BRACKET, 2 MODULE**



INTRODUCTION:

mpower® Fascia Light Features:

- 3" and 4" Quick Mount Options available for this bracket design
- Collaboration with Dow Corning® to develop ClearDuty™ optical design
- Greater resistance to gravel pitting, scratching, or cracking
- Improved sealing to prevent water from entering light
- Higher UV and thermal stability to prevent lens from yellowing over time

CONTENTS		
ITEM#	QTY	COMPONENT
1	2	1 MODULE OUTER MOUNT PLATE
2	2	1 MODULE INNER BRACKET
3	4	#10 X 5/8" FLAT HEAD SCREW
4	1	INSTALLATION INSTRUCTION SHEET
5	1	PRODUCT WARNING CARD
6	1	CA PROP 65 LABEL

⚠ WARNING

- HIGH CURRENT interconnects must be properly terminated. Poor crimp quality can cause heat build-up and fire. Follow crimp connector manufacturer instructions.
- DO NOT install this product or route any wires in the Air Bag Deployment Zone. Refer to vehicle Owner's Manual for deployment zones.
- Do NOT use system to disconnect headlights, brake lights or other safety equipment.
- Unit may become hot to touch during normal operation.
- Failure to properly install connectors, fuses or wiring may cause vehicle failure or fire.
- Installation must only be performed by trained technician. Installer must determine vehicle wiring configuration and proper integration of system.
- Use proper wire gauge. All power wires connecting to positive (+) or negative (-) battery terminal or local chassis ground (-) must be sized to supply at least 125% of max. current and properly fused at power source.
- Install protective grommets when routing wire through firewall or metal.

NOTICE:

Installers and users must comply with all applicable federal, state and local laws regarding use and installation of warning devices.

Improper use or installation may void warranty coverage.

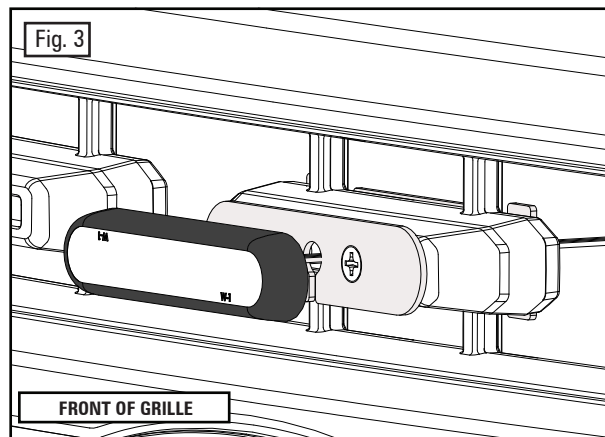
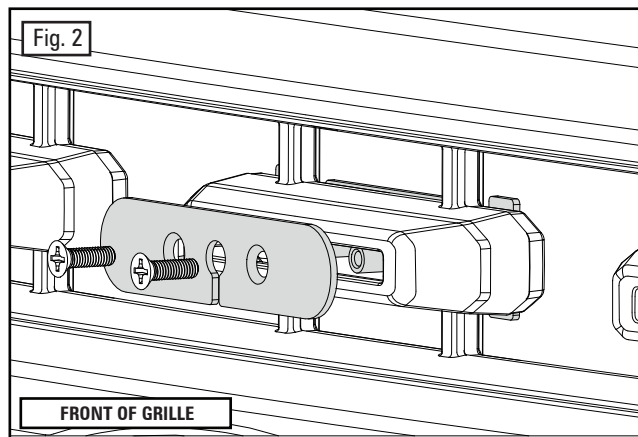
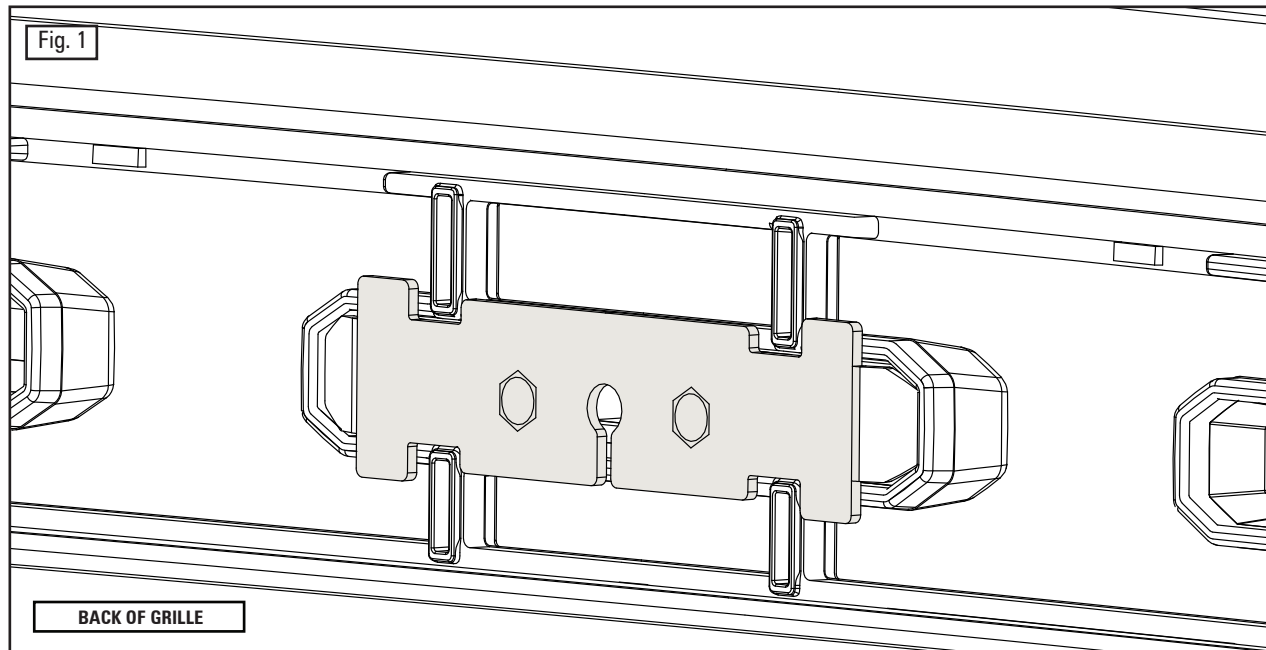
To review our Limited Warranty Statement & Return Policy for this or any SoundOff Signal product, visit our website at www.soundoffsignal.com/tech-services/returns/.

If you have questions regarding this product, contact **Technical Services**, Monday - Friday, 8 a.m. to 5 p.m. ET at 1.800.338.7337 (press #4).

Questions or comments that do not require immediate attention may be emailed to techservices@soundoffsignal.com.



**2021-2023 FORD F-150 POLICE, SSV, AND CIVILIAN (XL AND XLT MODELS)
FOR USE WITH THE 3 & 4" QUICK MOUNT MPOWER LIGHTS
PMP2BK007 – GRILLE MOUNT BRACKET, 2 MODULE**



INSTALLATION:

NOTE: The brackets are designed to mount an mpower light in any of the 12 locations on a compatible Ford F-150 grille. The bracket will not mount in the 2 locations near the Ford emblem.

1. The bracket can be installed without removing the grille of the vehicle. If the grille is removed, consult with your local Ford service center for best disassembly method.
2. Begin by installing the inner bracket into the rear of the desired mounting location. The threaded studs should face the front of the vehicle and the slot should be below the wire pass-through hole. Press both sides of the bracket firmly into the grille feature until it is securely in place, as shown in Fig. 1

PRO TIP: Before installing the brackets, it is recommended that a wire is run to each location on the grille that a light is desired. The brackets have slits to allow for installation after the wire is fed through the openings on the grille.

3. Install the outer mounting plate onto the outside of the desired mounting location. The countersunk holes should face the front of the vehicle. While firmly holding the mounting plate and inner bracket in place, fasten the two brackets together using the provided screws, as shown in Fig. 2. Tighten until snug.
4. Run the wire leads of the mpower through the pass-through holes in the brackets and through the grille.
5. Before securing the light to the mounting plate, ensure the mounting plate is cleaned with the wipe provided with the quick mount mpower module.
6. Adhere the mpower module to the mounting plate, as shown in Fig. 3.
7. Make final connections and test to ensure proper functionality.

NOTICE:

Installers and users must comply with all applicable federal, state and local laws regarding use and installation of warning devices.

Improper use or installation may void warranty coverage.

To review our Limited Warranty Statement & Return Policy for this or any SoundOff Signal product, visit our website at www.soundoffsignal.com/tech-services/returns/.

If you have questions regarding this product, contact **Technical Services**, Monday - Friday, 8 a.m. to 5 p.m. ET at 1.800.338.7337 (press #4).

Questions or comments that do not require immediate attention may be emailed to techservices@soundoffsignal.com.

