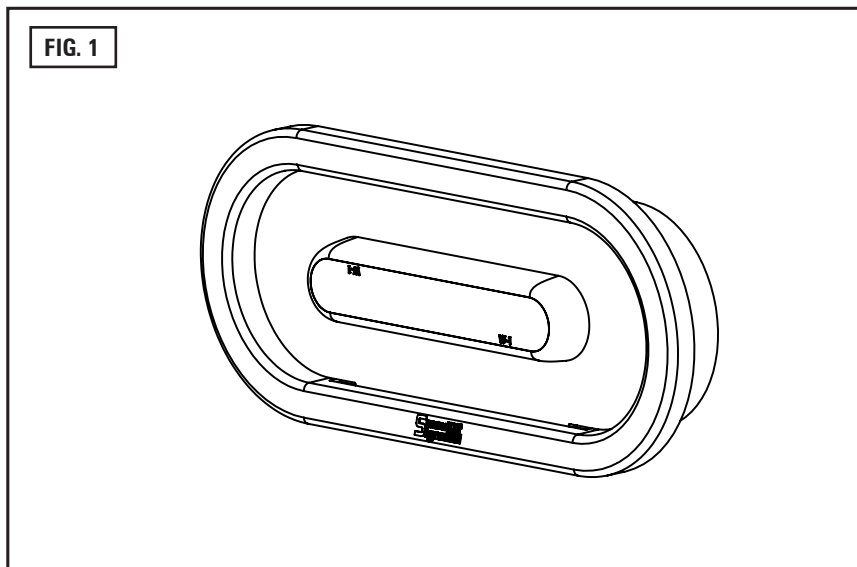


**6" OVAL MOUNTING KIT
FOR USE WITH MPOWER® 3", 4" STUD MOUNTS & 4x2 LIGHTS
PMP2BK001**



INTRODUCTION:

CONTAINS	
QTY	COMPONENT
1	Oval Grommet
1	Oval Bracket
1	Product Warning Card
1	Installation Instruction Sheet

⚠ WARNING

- HIGH CURRENT interconnects must be properly terminated. Poor crimp quality can cause heat build-up and fire. Follow crimp connector manufacturer instructions.
- DO NOT install this product or route any wires in the Air Bag Deployment Zone. Refer to vehicle Owner's Manual for deployment zones.
- Do NOT use system to disconnect headlights, brake lights or other safety equipment.
- Unit may become hot to touch during normal operation.
- Failure to properly install connectors, fuses or wiring may cause vehicle failure or fire.
- Installation must only be performed by trained technician. Installer must determine vehicle wiring configuration and proper integration of system.
- Use proper wire gauge. All power wires connecting to positive (+) or negative (-) battery terminal or local chassis ground (-) must be sized to supply at least 125% of max. current and properly fused at power source.
- Install protective grommets when routing wire through firewall or metal.

NOTICE:

Installers and users must comply with all applicable federal, state and local laws regarding use and installation of warning devices.

Improper use or installation may void warranty coverage.

To review our Limited Warranty Statement & Return Policy for this or any SoundOff Signal product, visit our website at www.soundoffsignal.com/tech-services/returns/.

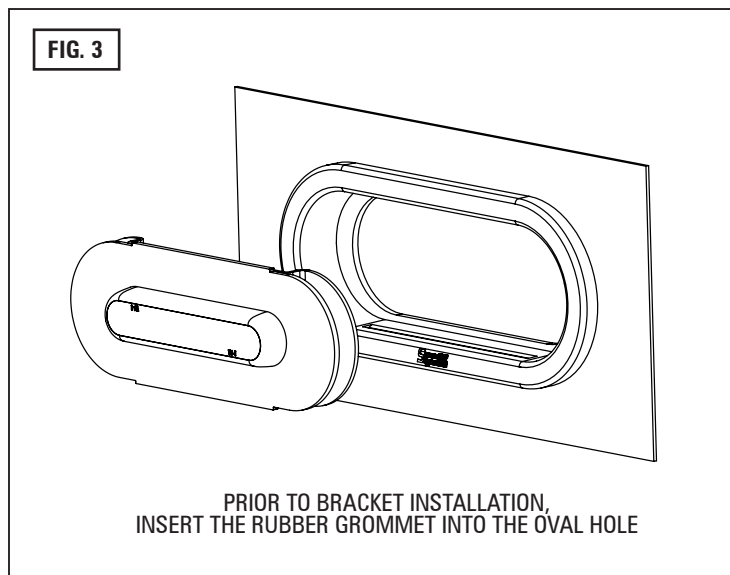
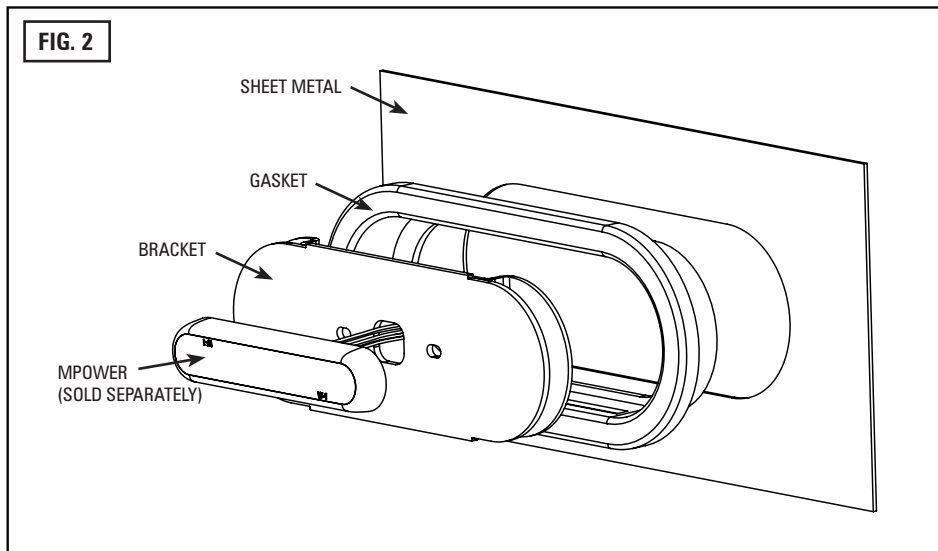
If you have questions regarding this product, contact **Technical Services**, Monday - Friday, 8 a.m. to 5 p.m. ET at 1.800.338.7337 (press #4).

Questions or comments that do not require immediate attention may be emailed to techservices@soundoffsignal.com.

**SoundOff
Signal**

1.800.338.7337 / www.soundoffsignal.com

**6" OVAL MOUNTING KIT
FOR USE WITH MPOWER® 3", 4" STUD MOUNTS & 4x2 LIGHTS**
PMP2BK001



NOTICE:

Installers and users must comply with all applicable federal, state and local laws regarding use and installation of warning devices.

Improper use or installation may void warranty coverage.

To review our Limited Warranty Statement & Return Policy for this or any SoundOff Signal product, visit our website at www.soundoffsignal.com/tech-services/returns/.

If you have questions regarding this product, contact **Technical Services**, Monday - Friday, 8 a.m. to 5 p.m. ET at 1.800.338.7337 (press #4).

Questions or comments that do not require immediate attention may be emailed to techservices@soundoffsignal.com.

INSTALLATION:

1. Using the provided template* as a guide, mark and cut an oval in the sheet metal in the desired location. Ensure that any modifications comply with the vehicle manufacturer's specifications. It is recommended that the cut edges be deburred and sealed prior to light installation as necessary.
2. Feed the light module wires through the center hole and attach a compatible, stud-mount mpower module to the bracket as shown in Figure 3. Install 2 lock nuts onto the studs behind the mount surface. After the nut makes full contact with the mounting surface, hand tighten 1/8th turn (torque no more than 15 in-lbs.)



**DO NOT USE POWER
TOOLS TO TIGHTEN**

3. Install the rubber grommet into the oval hole prior to bracket installation, as shown in Figure 3. Ensure the grommet is fully seated.
4. If access is limited, make necessary wire connections before installing the bracket and light assembly.
5. Press bracket and light assembly into the grommet. Ensure that the assembly is fully seated in the grommet.

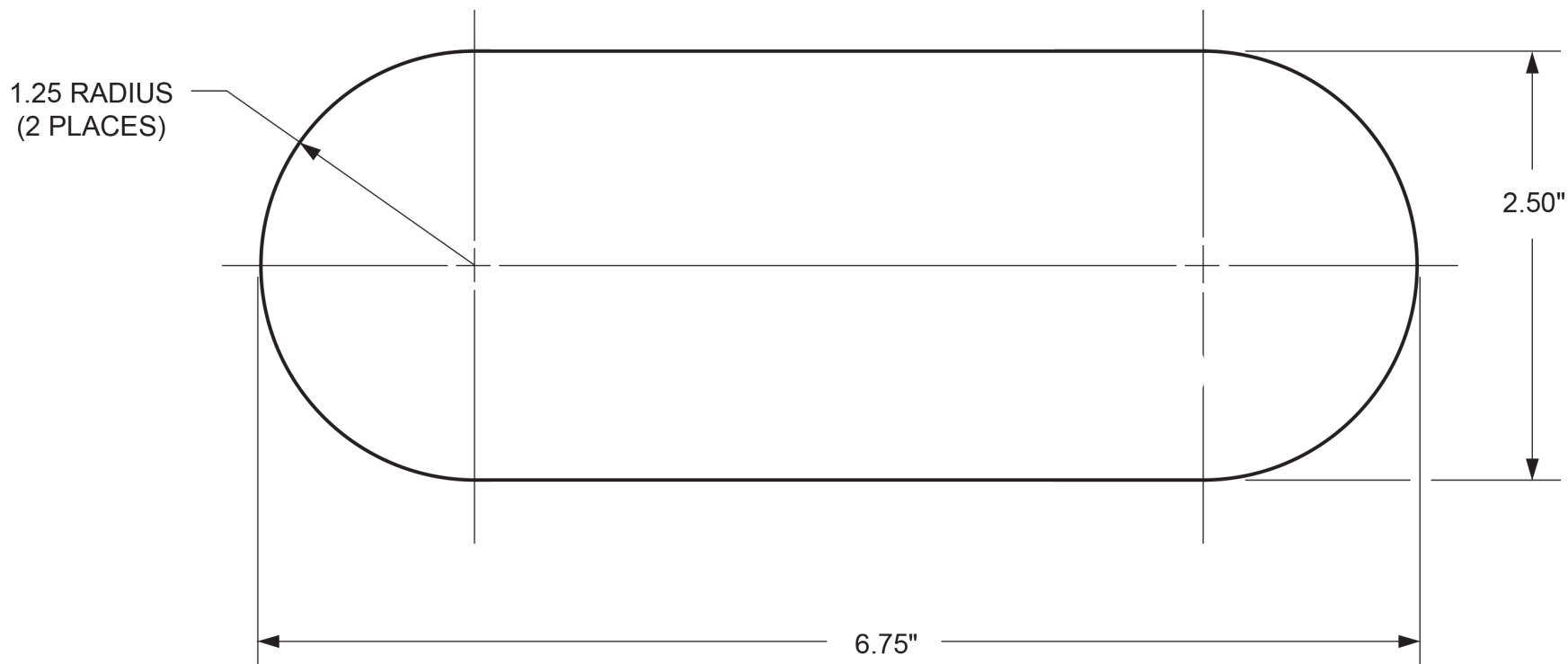
*The template is meant to only be a guide. It is the installer's responsibility to confirm the accuracy of the dimensions provided and make adjustments as necessary.

**SoundOff
Signal**

1.800.338.7337 / www.soundoffsignal.com

**6" OVAL MOUNTING KIT
FOR USE WITH MPOWER® 3", 4" STUD MOUNTS & 4x2 LIGHTS
PMP2BK001**

INSTALLATION TEMPLATE



IMPORTANT NOTE:

Due to variations in the printing process and environmental factors, the sizes shown may not be accurate. If this document is used as a cutting template, it is the installer's responsibility to confirm the accuracy of the dimensions shown and adjust accordingly.

NOTICE:

Installers and users must comply with all applicable federal, state and local laws regarding use and installation of warning devices.

Improper use or installation may void warranty coverage.

To review our Limited Warranty Statement & Return Policy for this or any SoundOff Signal product, visit our website at www.soundoffsignal.com/tech-services/returns/.

If you have questions regarding this product, contact **Technical Services**, Monday - Friday, 8 a.m. to 5 p.m. ET at 1.800.338.7337 (press #4).

Questions or comments that do not require immediate attention may be emailed to techservices@soundoffsignal.com.

**SoundOff
Signal** 

1.800.338.7337 / www.soundoffsignal.com