

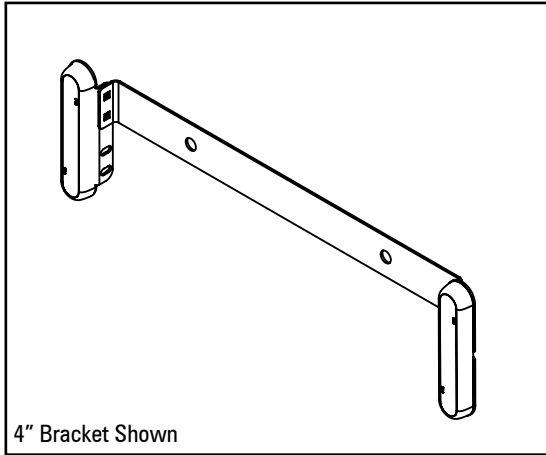


LICENSE PLATE BRACKET

PMP1BRK2LPV- 3" LICENSE PLATE BRACKET

PMP2BRK2LPV- 4" LICENSE PLATE BRACKET

VERTICAL MOUNT ONLY



4" Bracket Shown

⚠ WARNING

- HIGH CURRENT interconnects must be properly terminated. Poor crimp quality can cause heat build-up and fire. Follow crimp connector manufacturer instructions.
- DO NOT install this product or route any wires in the Air Bag Deployment Zone. Refer to vehicle Owner's Manual for deployment zones.
- Do NOT use system to disconnect headlights, brake lights or other safety equipment.
- Unit may become hot to touch during normal operation.
- Failure to properly install connectors, fuses or wiring may cause vehicle failure or fire.
- Installation must only be performed by trained technician. Installer must determine vehicle wiring configuration and proper integration of system.
- Use proper wire gauge. All power wires connecting to positive (+) or negative (-) battery terminal or local chassis ground (-) must be sized to supply at least 125% of max. current and properly fused at power source.
- Install protective grommets when routing wire through firewall or metal.

NOTICE:

Installers and users must comply with all applicable federal, state and local laws regarding use and installation of warning devices.

Improper use or installation may void warranty coverage.

To review our Limited Warranty Statement & Return Policy for this or any SoundOff Signal product, visit our website at www.soundoffsignal.com/tech-services/returns/. If you have questions regarding this product, contact **Technical Services**, Monday - Friday, 8 a.m. to 5 p.m. or after hours 5 p.m. to 8 p.m. ET at 1.800.338.7337 (press #4).

Questions or comments that do not require immediate attention may be emailed to techservices@soundoffsignal.com.

The SoundOff Signal license plate bracket are designed to fit under the rear license plate and support 2 mpower Fascia lights (**NOT INCLUDED**) vertically only.

INSTALLATION:

1. Remove license plate from vehicle
2. Determine whether you want to mount the light inward (toward the license plate) or outward (away from the license plate).
3. Determine the location where you want the power cable to exit the vehicle and drill a 8mm diameter hole for wire routing.
4. Screw mpower Fascia light to adapter plate as shown using supplied screws.
5. Screw adapter plate (with mounted mpower Fascia light) to base mounting bracket using supplied screws.
6. Route wires through hole created in step 3.
7. Fasten bracket with license plate on top to vehicle using license plate screws removed in step 1. Extra holes are provided for heavy duty mounting.
8. Wire the lights according to the mpower Fascia light instructions.

⚠ WARNING

This product contains high intensity LED devices. To prevent eye damage, DO NOT stare into the light beam at close range.

**SoundOff
Signal**

1.800.338.7337 / www.soundoffsignal.com

SUPERIOR CUSTOMER RELATIONSHIPS. SMARTLY DESIGNED LIGHTING & ELECTRONIC SOLUTIONS.

PMP2BRK2LPV 0421