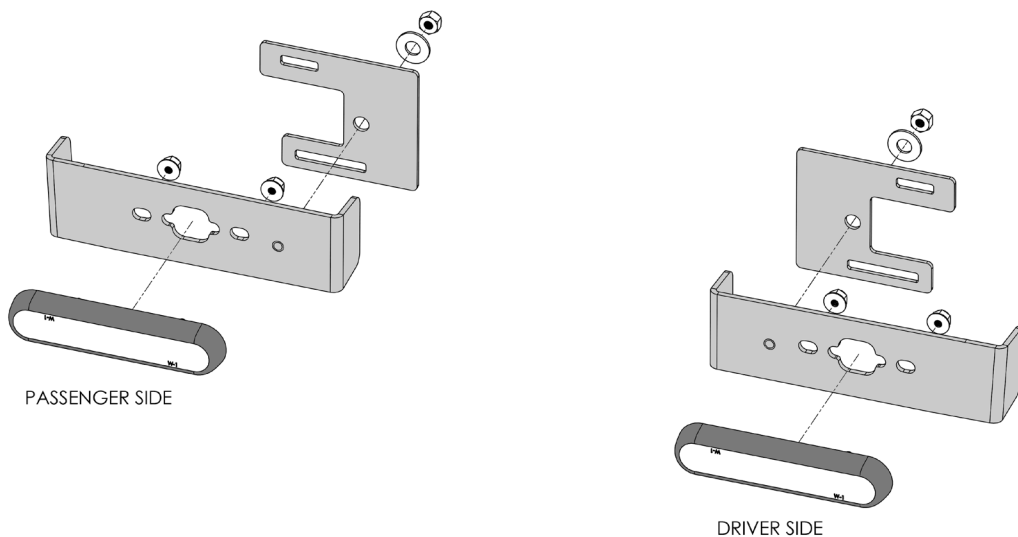




2020-2022 FORD POLICE INTERCEPTOR UTILITY MPOWER GRILLE BRACKET ASSEMBLY FOR USE WITH THE 3", 4" & 4X2 STUD MOUNT MPOWER® LIGHTS*

PMPSABK002 - GRILLE MOUNT BRACKET, 2 MODULE



OVERALL ASSEMBLY SHOWN*

⚠ WARNING

- HIGH CURRENT interconnects must be properly terminated. Poor crimp quality can cause heat build-up and fire. Follow crimp connector manufacturer instructions.
- DO NOT install this product or route any wires in the Air Bag Deployment Zone. Refer to vehicle Owner's Manual for deployment zones.
- Do NOT use system to disconnect headlights, brake lights or other safety equipment.
- Unit may become hot to touch during normal operation.
- Failure to properly install connectors, fuses or wiring may cause vehicle failure or fire.
- Installation must only be performed by trained technician. Installer must determine vehicle wiring configuration and proper integration of system.
- Use proper wire gauge. All power wires connecting to positive (+) or negative (-) battery terminal or local chassis ground (-) must be sized to supply at least 125% of max. current and properly fused at power source.
- Install protective grommets when routing wire through firewall or metal.

NOTICE:

Installers and users must comply with all applicable federal, state and local laws regarding use and installation of warning devices.

Improper use or installation may void warranty coverage.

To review our Limited Warranty Statement & Return Policy for this or any SoundOff Signal product, visit our website at www.soundoffsignal.com/tech-services/returns/.

If you have questions regarding this product, contact **Technical Services**, Monday - Friday, 8 a.m. to 5 p.m. ET at 1.800.338.7337 (press #4).

Questions or comments that do not require immediate attention may be emailed to techservices@soundoffsignal.com.

INTRODUCTION:

mpower® Fascia Light Features:

- 3" and 4" Stud Mount Options available for this bracket design
- 4x2" Mpower stud and quick mount options available for this bracket design
- Collaboration with Dow Corning® to develop ClearDuty™ optical design
- Greater resistance to gravel pitting, scratching, or cracking
- Improved sealing to prevent water from entering light
- Higher UV and thermal stability to prevent lens from yellowing over time

CONTENTS

QTY	COMPONENT
1	1 MODULE DRIVER SIDE BRACKET
1	1 MODULE PASSENGER SIDE BRACKET
2	CLAMP BRACKET
2	8-32 NYLON INSERT LOCKNUT
2	FLATWASHER 1/4" (5/8" OD) 18-8SS

*mpower Sold Separately

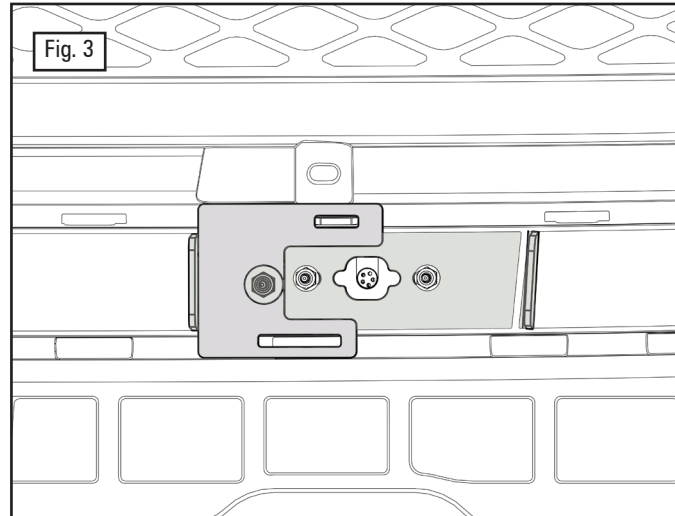
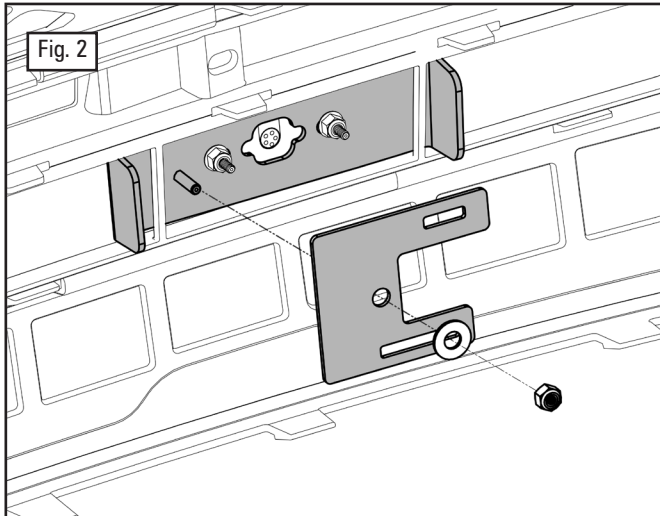
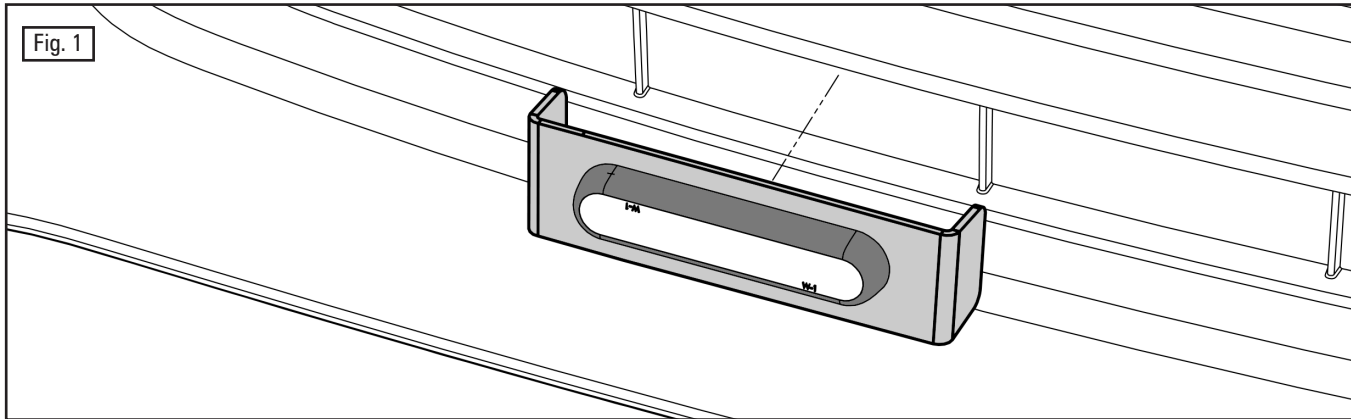


1.800.338.7337 / www.soundoffsignal.com



2020-2022 FORD POLICE INTERCEPTOR UTILITY MPOWER GRILLE BRACKET ASSEMBLY FOR USE WITH THE 3", 4" & 4X2 STUD MOUNT MPOWER® LIGHTS*

PMPSABK002 - GRILLE MOUNT BRACKET, 2 MODULE



INSTALLATION:

1. Remove the front grille (Fascia) on the vehicle per OEM spec and set face down on a soft surface.
2. Locate the passenger side bracket (002BR1106) and place the mpower module in its intended location and slightly thread the nuts onto the studs and apply a torque of no more than 15 in-lbs.
3. Once the Mpower lights are installed use the tab on the passenger side bracket to locate where the bracket will sit in the grille. Use fig 1 as a reference for where to install the bracket. The driver side bracket will be mirrored to the passenger side.
4. After the bracket with the Mpower is put into place attach the clamp plate to the bracket as seen in FIG.2. There are tabs on the grille fascia that will help locate the clamp bracket into place. Use the provided hardware (washer and nylock nut) to secure the clamp bracket into place and tighten the nuts to a torque of no more than 15 in-lbs as seen in FIG.3.
5. Follow step 4 to install the driver side bracket. The installation will be the same but mirror.
6. Once both driver and passenger side brackets are installed make the necessary connections for the Mpower lights to the vehicle.
7. Once the Mpower lights are installed, reinstall the front grille according to manufacturer's specifications.

NOTICE:

Installers and users must comply with all applicable federal, state and local laws regarding use and installation of warning devices.

Improper use or installation may void warranty coverage.

To review our Limited Warranty Statement & Return Policy for this or any SoundOff Signal product, visit our website at www.soundoffsignal.com/tech-services/returns/.

If you have questions regarding this product, contact **Technical Services**, Monday - Friday, 8 a.m. to 5 p.m. ET at 1.800.338.7337 (press #4).

Questions or comments that do not require immediate attention may be emailed to techservices@soundoffsignal.com.

**SoundOff
Signal**

1.800.338.7337 / www.soundoffsignal.com