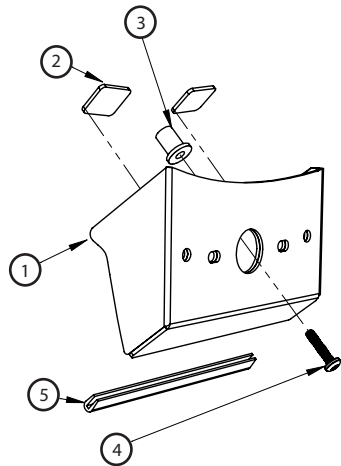


PMP2BKUMB5-(x) - Tahoe 2021-2025 Under Mirror Mount Bracket Kit For Intersector Surface Mount & mpower® 3", 4" Stud & Quick Mount*



PMP2BKUMB5-D IS SHOWN*

⚠ WARNING

- HIGH CURRENT interconnects must be properly terminated. Poor crimp quality can cause heat build-up and fire. Follow crimp connector manufacturer instructions.
- DO NOT install this product or route any wires in the Air Bag Deployment Zone. Refer to vehicle Owner's Manual for deployment zones.
- Do NOT use system to disconnect headlights, brake lights or other safety equipment.
- Unit may become hot to touch during normal operation.
- Failure to properly install connectors, fuses or wiring may cause vehicle failure or fire.
- Installation must only be performed by trained technician. Installer must determine vehicle wiring configuration and proper integration of system.
- Use proper wire gauge. All power wires connecting to positive (+) or negative (-) battery terminal or local chassis ground (-) must be sized to supply at least 125% of max. current and properly fused at power source.
- Install protective grommets when routing wire through firewall or metal.



1.800.338.7337 / www.soundoffsignal.com

Installers and users must comply with all applicable federal, state and local laws regarding use and installation of warning devices.

NOTICE:

Improper use or installation may void warranty coverage.

To review our Limited Warranty Statement & Return Policy for this or any SoundOff Signal product, visit our website at www.soundoffsignal.com/tech-services/returns/. If you have questions regarding this product, contact **Technical Services**, Monday - Friday, 8 a.m. to 5 p.m. or after hours 5 p.m. to 8 p.m. ET at 1.800.338.7337 (press #4). Questions or comments that do not require immediate attention may be emailed to techservices@soundoffsignal.com.

SUPERIOR CUSTOMER RELATIONSHIPS. SMARTLY DESIGNED LIGHTING & ELECTRONIC SOLUTIONS.

INTRODUCTION:

mpower® Fascia Light Features:

- 3" or 4" Stud Mount and Quick Mount Options are available for this bracket design
- Collaboration with Dow Corning® to develop ClearDuty™ optical design
- Greater resistance to gravel pitting, scratching, or cracking
- Improved sealing to prevent water from entering light
- Higher UV and thermal stability to prevent lens from yellowing over time

Intersector Surface Mount Light Features:

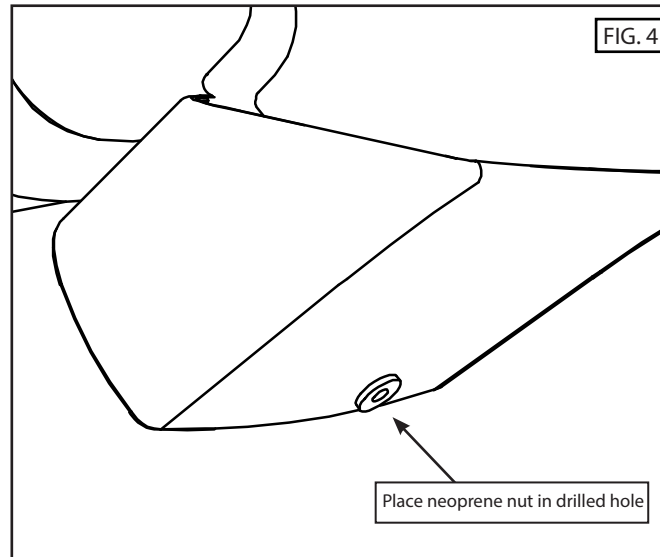
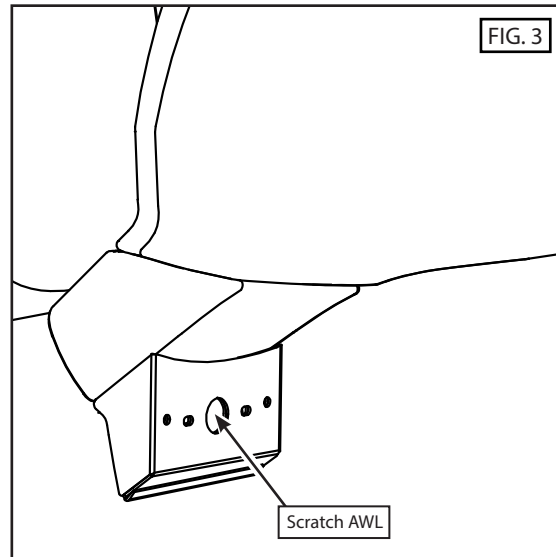
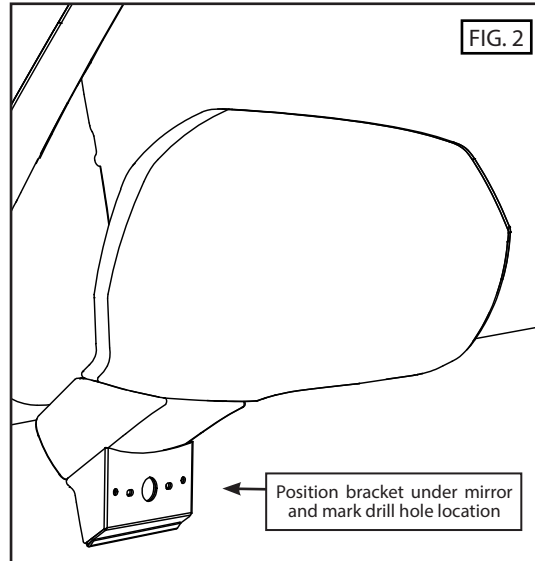
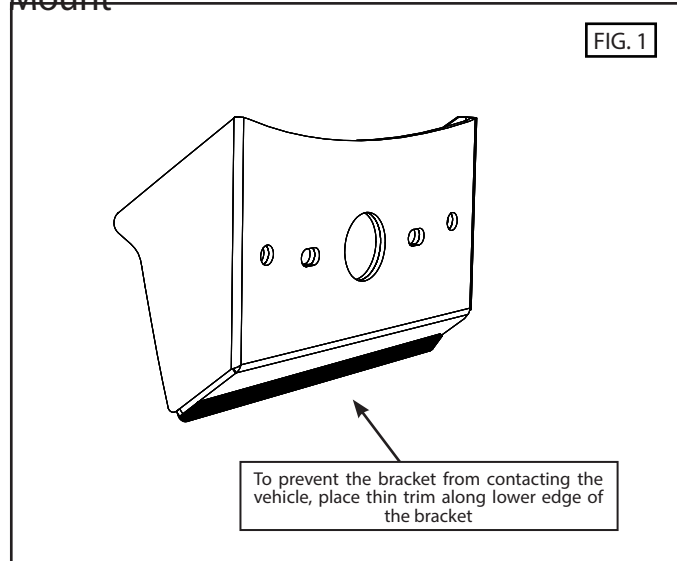
- Light has separate control functionality and is sync compatible with nFORCE® products
- Available in Dual or Tricolor
- Allows color to be set to flash or steady-burn
- Multiple housing colors available

PART#	YEAR, MAKE, AND MODEL	*COMPATIBLE WITH...
PMP2BKUMB5-(D)	2021-2025 Tahoe	3",4" mpower® Stud or Quick Mount, Intersector Surface Mount, Driver Side
PMP2BKUMB5-(P)	2021-2025 Tahoe	3",4" mpower® Stud or Quick Mount, Intersector Surface Mount, Passenger Side

CONTENTS		
ITEM#	QTY	COMPONENT
1	1	BRACKET
2	2	VHB PAD
3	1	NEOPRENE RIVET NUT 6-32
4	1	6/32" - 5/8" SCREW
5	1	THIN TRIM
	1	SURFACE PREP WIPE
	1	PRODUCT WARNING CARD
	1	INSTRUCTION SHEET

*Installation instructions are for the driver side bracket (PMP2BKUMB5-(D)). Installation for the passenger side is the same.

PMP2BKUMB5-(x) - Tahoe 2021-2025 Under Mirror Mount Bracket
Kit For Intersector Surface Mount & mpower® 3", 4" Stud & Quick
Mount*



INSTALLATION

PRO TIP: To prevent the metal bracket from contacting the painted surfaces of the vehicle, the included thin trim can be placed along the lower edge of the bracket, as shown in FIG. 1.

1. Position the bracket under the mirror so that it looks similar to the image shown in FIG. 2.
2. Use a scratch awl to mark the location of the hole that will be drilled in the mirror housing, as shown in FIG. 3. This is the hole that is accessible through the wire pass through of the bracket. Identify the two gaps between the three bracket tabs where a wire pass through can be drilled.

PRO TIP: To reach the small hole on the center tab inside the bracket, angle the scratch awl upwards when entering the larger opening on the outside of the bracket.

3. Once the hole is marked on the mirror housing, remove the bracket and drill a hole using a 5/16" drill bit in the marked location. Also, drill a hole in one of the gaps, previously identified, between the three tabs that the wires can pass through.
4. Place the included neoprene well nut in the hole that was just drilled, as shown in FIG. 4.

NOTICE:

Installers and users must comply with all applicable federal, state and local laws regarding use and installation of warning devices.

Improper use or installation may void warranty coverage.

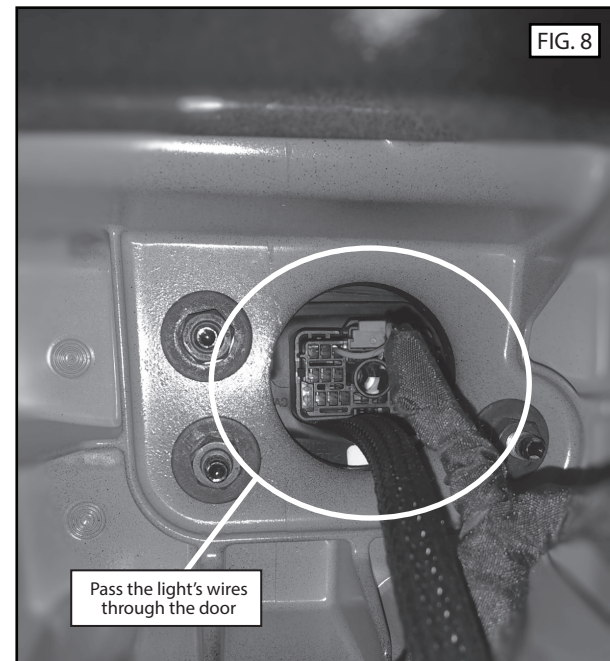
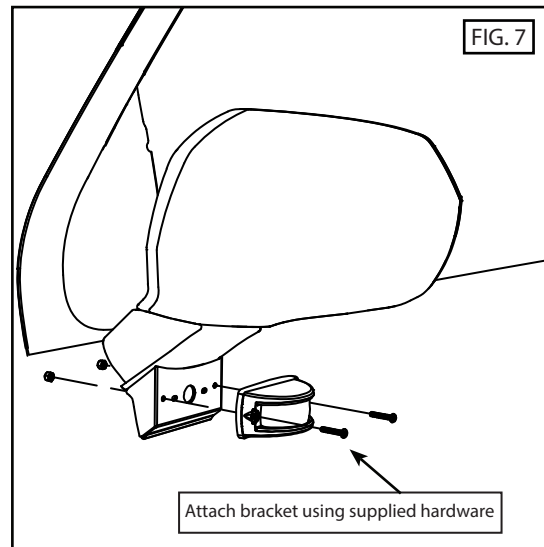
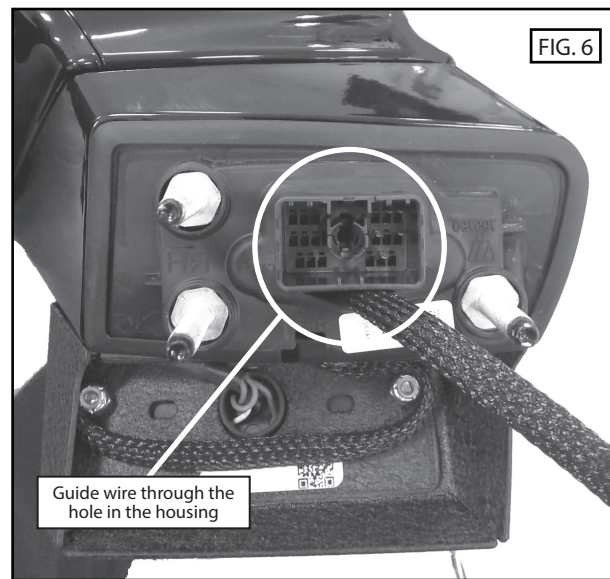
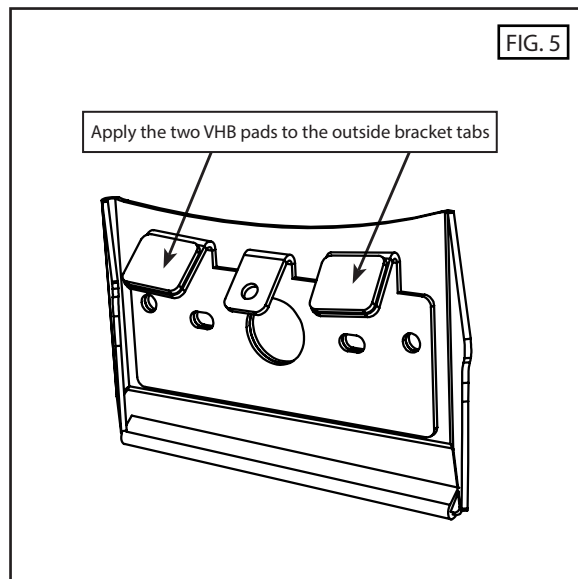
To review our Limited Warranty Statement & Return Policy for this or any SoundOff Signal product, visit our website at www.soundoffsignal.com/tech-services/returns/. If you have questions regarding this product, contact **Technical Services**, Monday - Friday, 8 a.m. to 5 p.m. or after hours 5 p.m. to 8 p.m. ET at 1.800.338.7337 (press #4). Questions or comments that do not require immediate attention may be emailed to techservices@soundoffsignal.com.



1.800.338.7337 / www.soundoffsignal.com

SUPERIOR CUSTOMER RELATIONSHIPS. SMARTLY DESIGNED LIGHTING & ELECTRONIC SOLUTIONS.

PMP2BKUMB5-(x) - Tahoe 2021-2025 Under Mirror Mount Bracket Kit For Intersector Surface Mount & mpower® 3", 4" Stud & Quick Mount*



INSTALLATION (CONT.)

5. Prior to applying the VHB, use the surface preparation wipe to clean the mirror housing and the bracket tabs. Apply the two VHB pads to the two tabs that do not have a hole, as shown in FIG. 5.

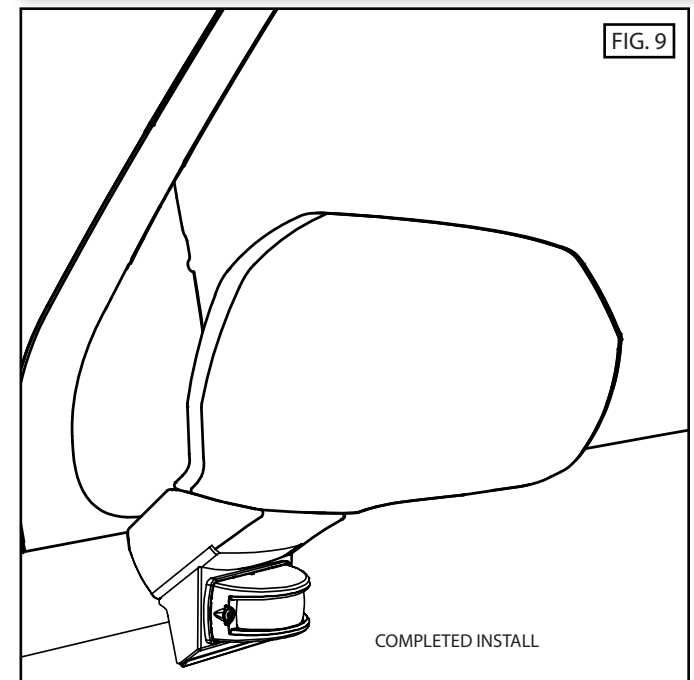
6. Place the bracket in its final location, as seen in FIG. 7, and firmly press the bracket against the mirror while screwing the included screw into the well nut.

PRO TIP: Apply a torque of 6 in-lbs to the screw.

7. Once the bracket is fully secured, remove the mirror from the vehicle. Guide the wire through the hole in the bracket face, the hole in the housing of the mirror, and through the rubber grommet that is between the mirror and the vehicle chassis, as shown in FIG. 8.

8. Leaving extra wire behind the bracket, attach the light to the bracket using the hardware included with the light. Fig. 7 shows pass through on inside of vehicle.

9. Pass the light's wires into the door and attach the mirror to the door.



SoundOff
Signal 
Smart Design.

1.800.338.7337 / www.soundoffsignal.com