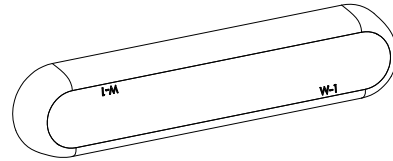




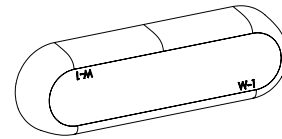
## FASCIA LIGHTS - 4"

- EMPS2QM(x)(xxx) - QUICK MOUNT
- EMPS2SMS(x)(xxx) - SCREW MOUNT
- EMPS2STS(x)(xxx) - STUD MOUNT THREADED



## FASCIA LIGHTS - 3"

- EMPS1QM(x)(xxx) - QUICK MOUNT
- EMPS1SMS(x)(xxx) - SCREW MOUNT
- EMPS1STS(x)(xxx) - FORD GRILLE MOUNT
- EMPS1SLS(x)(xxx) - STUD MOUNT THREADED



Protected by U.S. Patent 10,703,260 and Patents Pending  
<https://soundoffsignal.com/legal/patent-notification/>

### WARNING

- HIGH CURRENT interconnects must be properly terminated. Poor crimp quality can cause heat build-up and fire. Follow the crimp connector manufacturer instructions.
- DO NOT install this product or route any wires in the Air Bag Deployment Zone. Refer to vehicle Owner's Manual for deployment zones.
- Do NOT use system to disconnect headlights, brake lights or other safety equipment.
- Unit may become hot to touch during normal operation.
- Failure to properly install connectors, fuses or wiring may cause vehicle failure or fire.
- Installation must only be performed by trained technician. Installer must determine vehicle wiring configuration and proper integration of system.
- Use proper wire gauge. All power wires connecting to positive (+) or negative (-) battery terminal or local chassis ground (-) must be sized to supply at least 125% of max. current and properly fused at power source.
- Install protective grommets when routing wire through firewall or metal.
- Petroleum/silicone based lubricants will cause the silicone lens to discolor.

4" DIMENSIONS / TECHNICAL SPECIFICATIONS . . . 2

3" DIMENSIONS / TECHNICAL SPECIFICATIONS . . . 3

QUICK / STUD MOUNT INSTALL . . . . . 4

SCREW / EDGE MOUNT INSTALL . . . . . 5

MULTI-MOUNT / BACK PLATE MOUNT INSTALL . . . 6

4" HOLE TEMPLATE INFORMATION . . . . . 7

4" HOLE TEMPLATE INFORMATION . . . . . 8

ELECTRICAL INSTALLATION / INFORMATION . . . 9 - 12

**WARNING**

ROUTE WIRES ONLY IN LOCATIONS THAT ARE NOT SUBJECTED TO POTENTIAL WEAR. MAKE SURE TO AVOID ROUTING WIRES IN THE DEPLOYMENT AREA OF YOUR AIR BAG. REFER TO YOUR VEHICLE'S OWNER'S MANUAL FOR AIRBAG DEPLOYMENT ZONES.



Scan for the latest version of the instruction sheet.



1.800.338.7337 / [www.soundoffsignal.com](http://www.soundoffsignal.com)

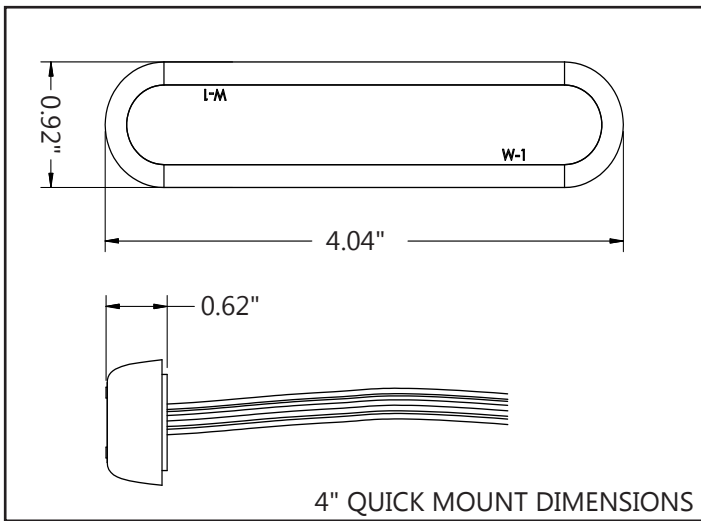
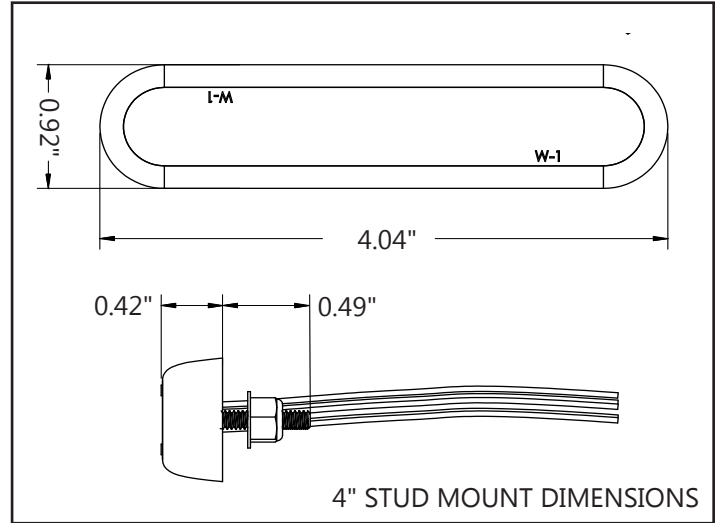
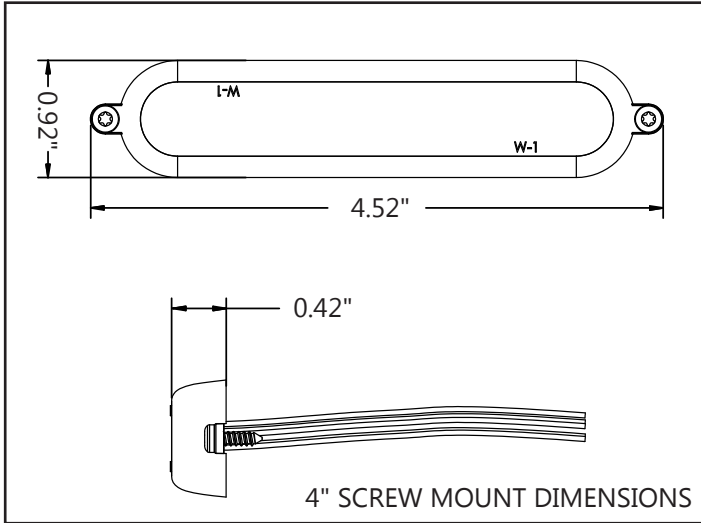
#### NOTICE:

Installers and users must comply with all applicable federal, state and local laws regarding use and installation of warning devices. *Improper use or installation may void warranty coverage. To review our Limited Warranty Statement & Return Policy for this or any SoundOff Signal product, visit our website at [www.soundoffsignal.com/tech-services/returns/](http://www.soundoffsignal.com/tech-services/returns/). If you have questions regarding this product, contact **Technical Services**, Monday - Friday, 8 a.m. to 5 p.m. ET at 1.800.338.7337 (press #4). Questions or comments that do not require immediate attention may be emailed to [techservices@soundoffsignal.com](mailto:techservices@soundoffsignal.com).*

ENHANCING SAFETY THROUGH INNOVATION

4" & 3" MPOWER® FASCIA LIGHTS  
 ENGLISH 0000JL 1223 REV C

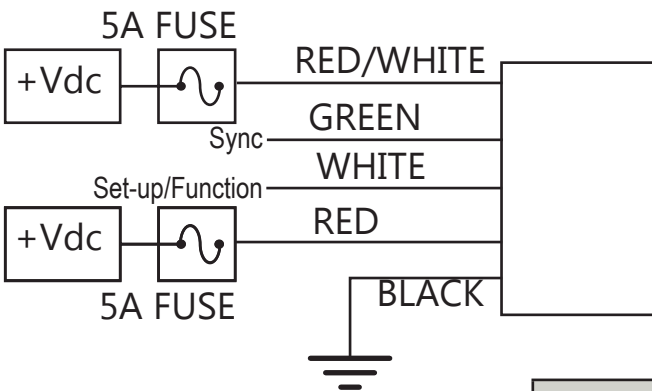
# 4" mpower® DIMENSIONS / SPECIFICATIONS:



## WIRE HOOK-UP TABLE

WIRE COLOR:	FUNCTION:
RED	Power (Primary)
BLACK	Ground
GREEN**	Sync2 *
WHITE to GROUND	Setup Wire (See pg. 11*)
WHITE to POWER	Function Wire
RED/WHITE	Power (Secondary)

\*\* To sync multiple mPower lights, connect the Green wire from each light together.  
 \* Will NOT work w/ other sync products such as Ghost, LED3, & 4 wire Intersector w/external flasher.  
 \* Will Work with Sync 2 products nFORCE Secondary Lights, nFORCE FIT and 5 wire Intersector Lights.



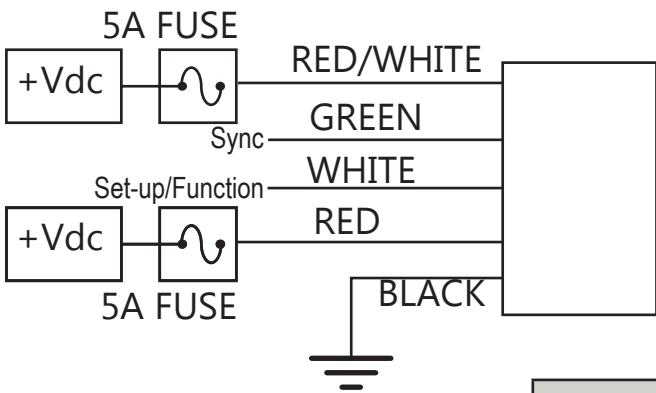
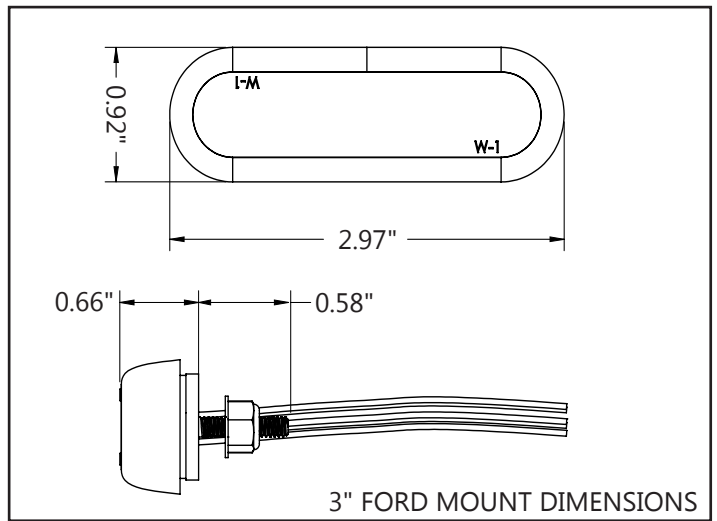
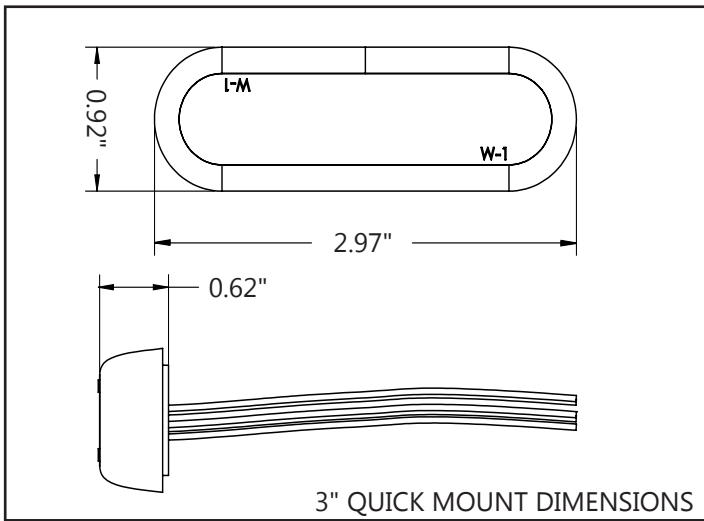
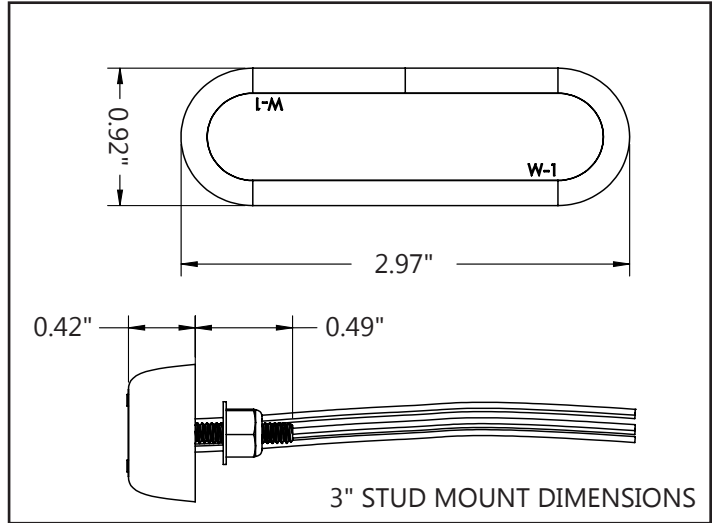
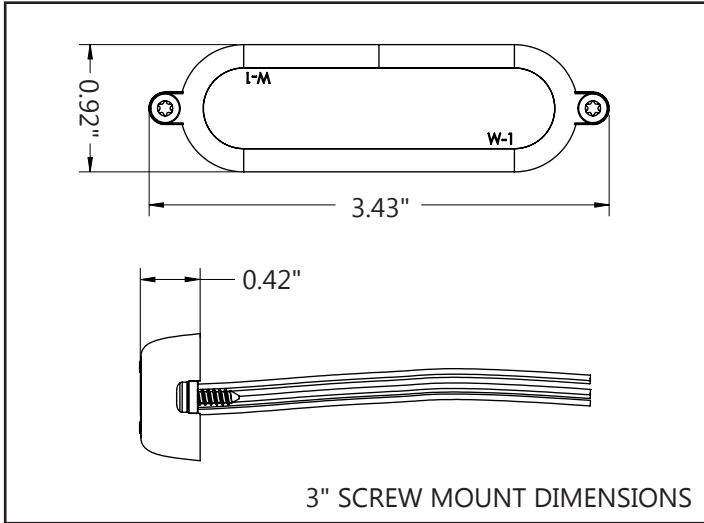
## TECHNICAL SPECIFICATIONS

Input Voltage:		9-32Vdc	
<b>4" CURRENT CONSUMPTION (Amps)</b>			
<b>12.8Vdc</b>		<b>25.6Vdc</b>	
<b>Peak</b>	<b>Average</b>	<b>Peak</b>	<b>Average</b>
<b>Red</b>	0.62	0.36	0.31
<b>Amber, Blue, Green or White</b>	0.90	0.60	0.45
		0.31	0.18
		0.45	0.30

**⚠ WARNING**  
 This product contains high intensity LED devices. To prevent eye damage, DO NOT stare into the light beam at close range.

**AFTER POWER IS ON**, touching the WHITE wire to the ground will allow you to change various settings on the module. (refer to page 8)

# 3" mpower® DIMENSIONS / SPECIFICATIONS:



## TECHNICAL SPECIFICATIONS

Input Voltage:		9-32Vdc	
<b>3" CURRENT CONSUMPTION (Amps)</b>			
<b>12.8Vdc</b>		<b>25.6Vdc</b>	
<b>Peak</b>	<b>Average</b>	<b>Peak</b>	<b>Average</b>
<b>Red</b>	0.62	0.26	0.13
<b>Amber, Blue, Green or White</b>	0.90	0.38	0.19

**⚠ WARNING**  
 This product contains high intensity LED devices. To prevent eye damage, DO NOT stare into the light beam at close range.

**AFTER POWER IS ON**, touching the WHITE wire to the ground will allow you to change various settings on the module. (refer to page 8)

## QUICK MOUNT INSTALLATION:

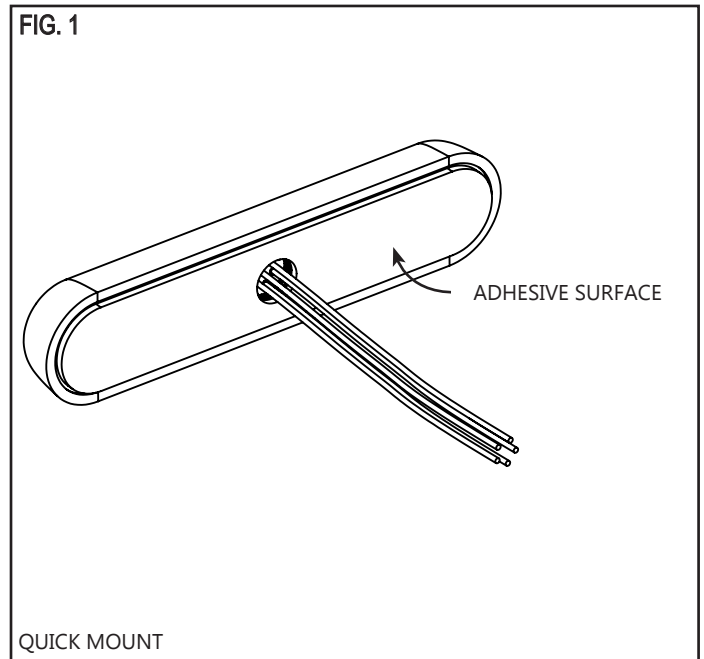
### Quick Mount (FIG. 1)

1. Pre-Drill per quick mount pattern indicated on page 7 (4") or page 8 (3"). (Wire hole only).
2. Deburr hole as required.



3. Clean surface with supplied alcohol wipe.
4. Make wire connection and feed wire through the drilled wire hole.
5. Remove adhesive backer and align light into desired position. Apply to surface and hold firmly for 30 seconds.

**NOTE: APPLY UNIFORM PRESSURE ACROSS FULL FACE OF LIGHT.**



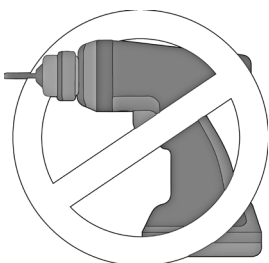
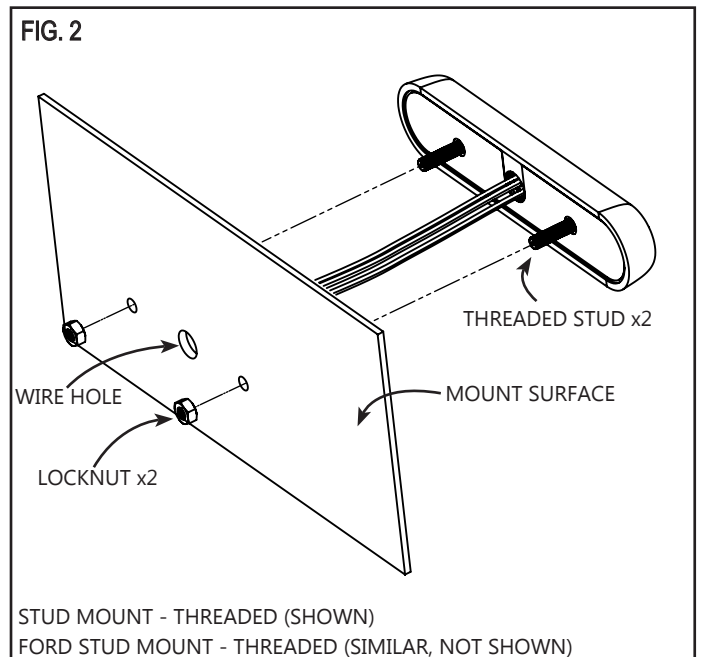
## STUD MOUNT INSTALLATION:

### Stud Mount (FIG. 2)

1. Pre-Drill per quick mount pattern indicated on page 7 (4") or page 8 (3").
2. Clean the surface, as required.



3. Deburr hole, as required.
4. Make wire connections and feed wire through the drilled wire hole.
5. Install light, inserting 2 studs into the 2 drilled holes.
6. Install 2 lock nuts onto studs behind mount surface. After the nut makes full contact with the mounting surface, hand tighten 1/8th turn (torque no more than 15 in-lbs.)

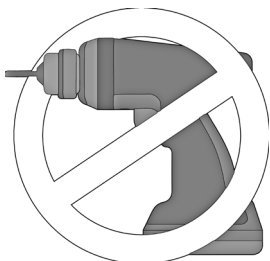


**DO NOT USE POWER TOOLS TO TIGHTEN**

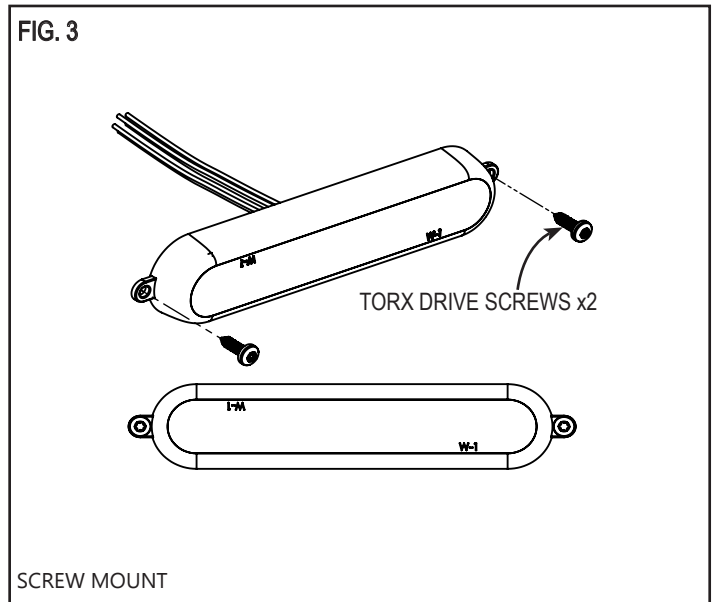
## SCREW MOUNT INSTALLATION:

### Screw Mount (FIG 3)

1. Pre-Drill per screw mount pattern indicated on page 7 (4") or page 8 (3").
2. Deburr and clean the surface, as required.
3. Make wire connections and feed the wire through the drilled wire hole.
4. Install light with 2x Torx drive screws and hand tighten only until mount surface and light are flush.



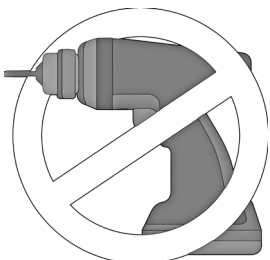
**DO NOT USE POWER TOOLS TO TIGHTEN**



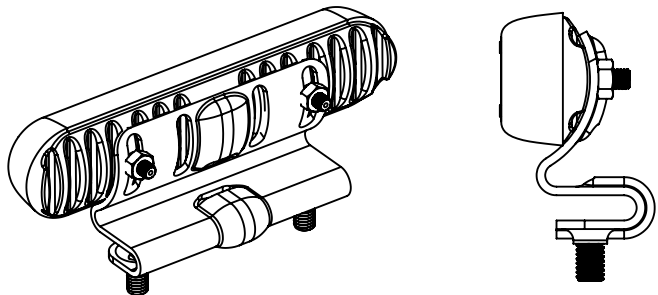
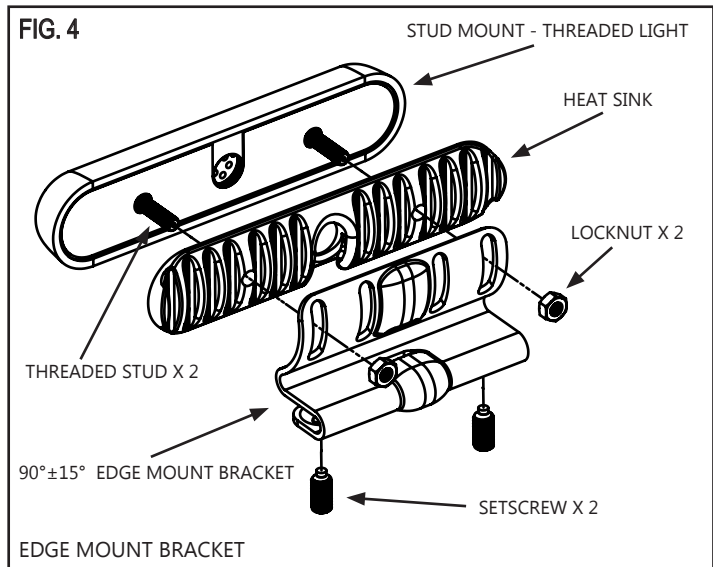
## EDGE MOUNT INSTALLATION:

### Edge-Mount Bracket (FIG. 4) P/N: PMP2BKEDGE

1. Install Heat Sink onto "mPOWER Stud Mount, Threaded" light as indicated. Wire passed through center hole.
2. Install bracket onto "mPOWER Stud Mount, Thread" light as indicated. Wire passed through rear relief and into lower edge grip relief.
3. Install 2 lock nuts onto "mPOWER Stud Mount, Thread" light. Hand tighten until final adjustment.
4. Place bracket over desired vehicle's edge surface (i.e. rear hood), ensure wire is fully seated in rear relief, wrapping around edge lying flat.
5. Tighten 2 setscrews to vehicle's edge surface.
6. Adjust angle of light to desired direction and tighten 2 lock nuts until secure. After the nut makes full contact with the mounting surface, hand tighten 1/8th turn (torque no more than 15 in-lbs.)
7. Make wire connections.



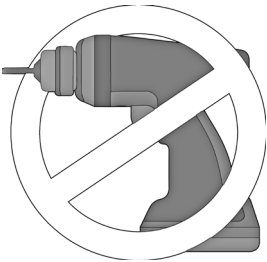
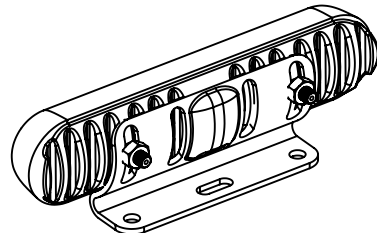
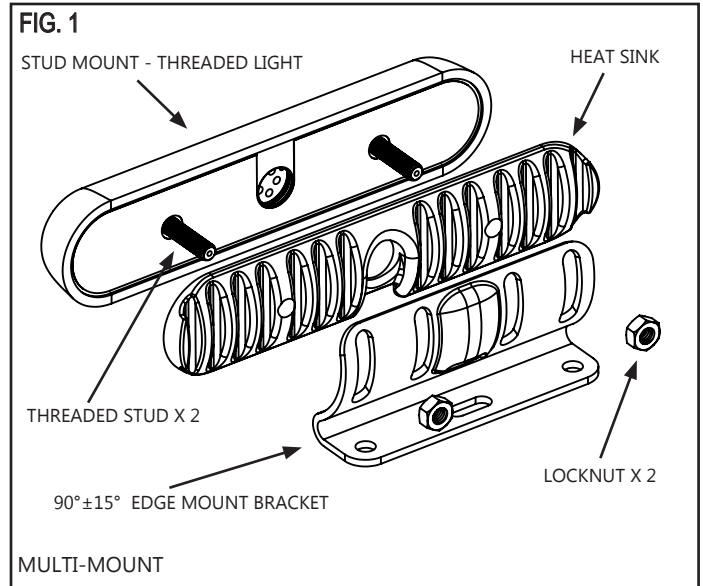
**DO NOT USE POWER TOOLS TO TIGHTEN**



## MULTI-MOUNT INSTALLATION:

### Multi-Mount Bracket (FIG. 1) P/N: PMP2BKDGJ

1. Pre-drill mount holes as required (bracket holes and spacing are indicated on page 7 (4") or page 8 (3")).
2. Place bracket onto desired vehicle's surface and secure with screws (not provided).
3. Install Heat Sink onto "mPOWER Stud Mount, Threaded" light as indicated. Wire passes through center hole.
4. Install "mPOWER Stud Mount, Thread" light onto bracket as indicated. Wire passes through rear relief.
5. Install 2 lock nuts onto "mPOWER Stud Mount, Thread" light as indicated. Hand tighten until final adjustment.
6. Adjust angle of light to desired direction and tighten 2 lock nuts until secure. After the nut makes full contact with the mounting surface, hand tighten 1/8th turn (torque no more than 15 in-lbs.)
7. Make wire connections.

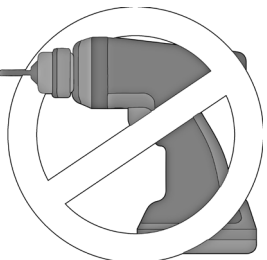
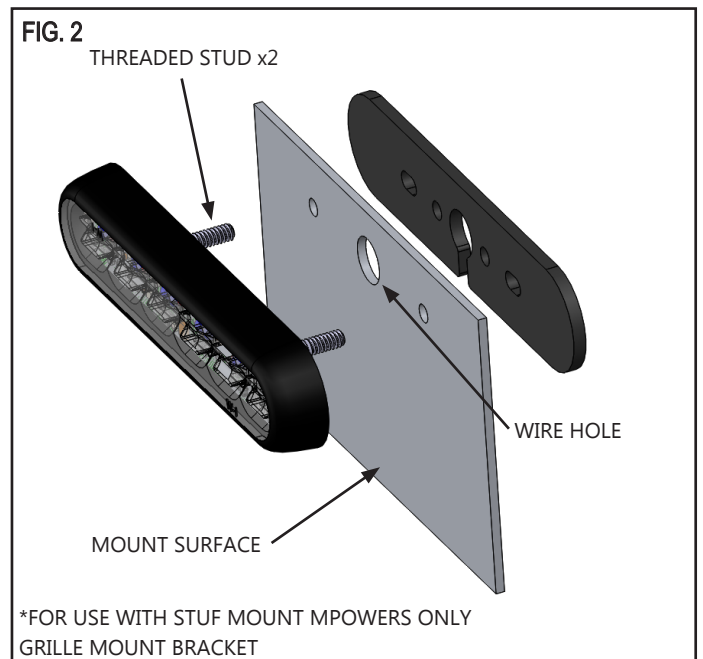


**DO NOT USE POWER TOOLS TO TIGHTEN**

## GRILLE MOUNT BACKPLATE INSTALLATION:

### Grille Mount Backplate (FIG. 2) P/N: PMP2BKGBPB

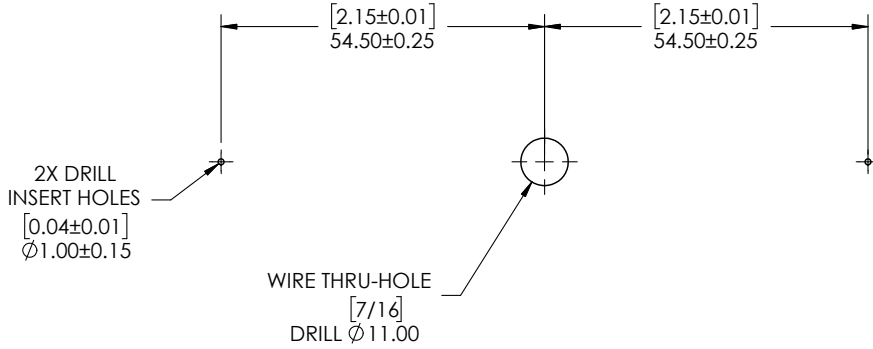
1. Pre-drill mount holes as required (bracket holes and spacing are indicated on page 7 (4") or page 8 (3")).
2. Place bracket onto desired vehicle's surface and secure with screws (not provided).
3. Install Heat Sink onto "mPOWER Stud Mount" light as indicated. Wire passes through center hole.
4. Install "mPOWER Stud Mount" light onto bracket as indicated. Wire passes through rear relief.
5. Install 2 lock nuts onto "mPOWER Stud Mount" light as indicated. Hand tighten until final adjustment.
6. Adjust angle of light to desired direction and tighten 2 lock nuts until secure. After the nut makes full contact with the mounting surface, hand tighten 1/8th turn (torque no more than 15 in-lbs.)
7. Make wire connections.



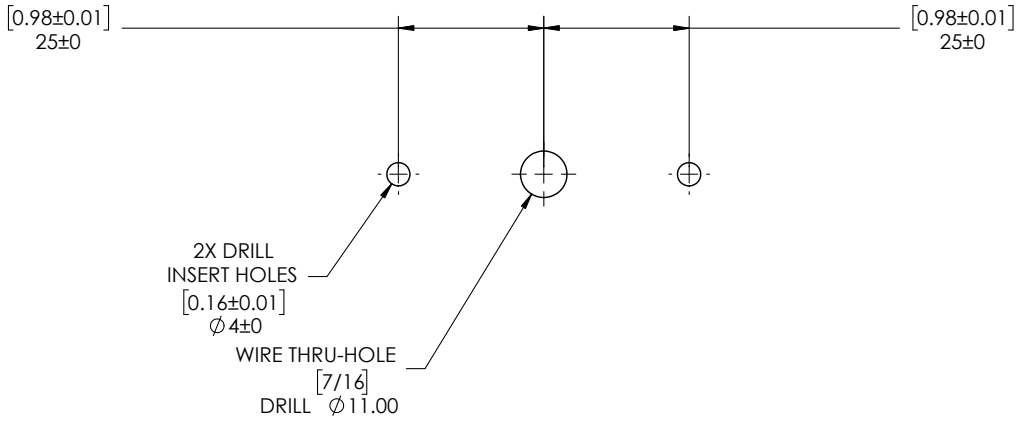
**DO NOT USE POWER TOOLS TO TIGHTEN**

# 4" HOLE TEMPLATES:

## 4" SCREW MOUNT



## 4" STUD MOUNT

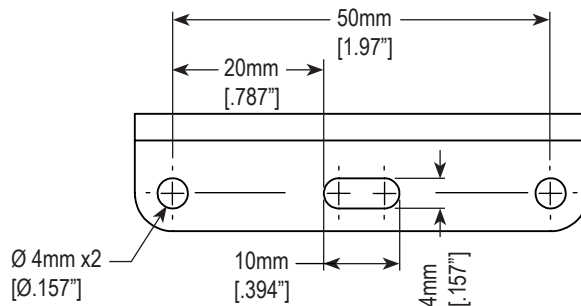


**IMPORTANT NOTE:**

Due to variations in the printing process and environmental factors, the sizes shown may not be accurate. If this document is used as a cutting template, it is the installers responsibility to confirm the accuracy of the dimensions shown and adjust accordingly.

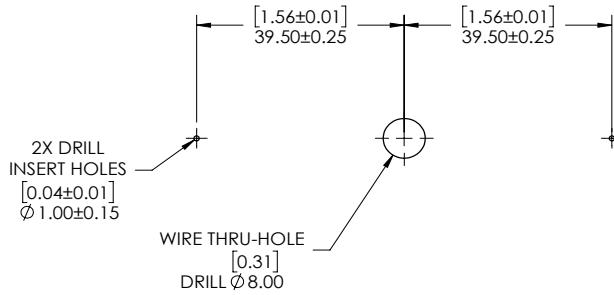
## 4" MULTI - MOUNT

### 4" MULTI-MOUNT BRACKET

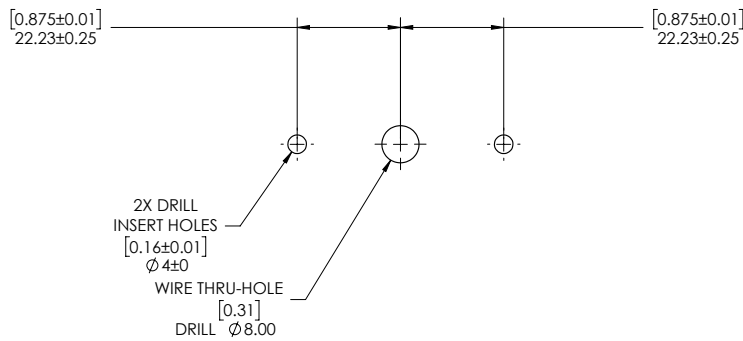


# 3" HOLE TEMPLATES:

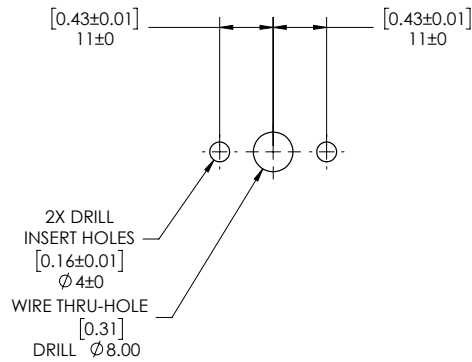
## 3" SCREW MOUNT



## 3" STUD MOUNT



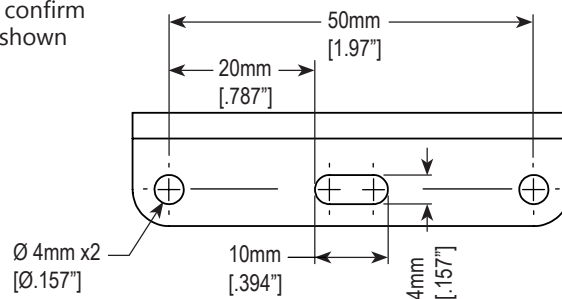
## 3" FORD GRILLE MOUNT



**IMPORTANT NOTE:**

Due to variations in the printing process and environmental factors, the sizes shown may not be accurate. If this document is used as a cutting template, it is the installers responsibility to confirm the accuracy of the dimensions shown and adjust accordingly.

## 3" MULTI - MOUNT







# ELECTRICAL INSTRUCTIONS CONTINUED:

## FUNCTION TABLES

Changing the function table is only enabled when the LED module is in a flashing mode (disabled in cruise or steady ON functions.) The functional operation of the LED module can be changed while applying the +V to the Red wire with the black wire connected to ground. When the light is flashing, momentarily connect the White wire to ground for >4S and <5S (light will go steady high, steady low, off, steady high, steady low) then release. The function table will now advance to the next table (table 1 to table 2, table 2 to table 3, or table 3 to table 1. In the case that the custom table is programmed, the order is 1 to 2, 2 to 3, 3 to 7 (custom), and 7 to 1.) Repeat above process until required function table is active. **AFTER SELECTION: The light will "wink" to indicate which of the new tables is selected. Custom table will "wink" 7 times.**

FUNCTION TABLE 1					
WIRE			LIGHT		
RED	R/W	WHT	SINGLE	DUAL	TRI
+9-32V			FLASH	FLASH DUAL	FLASH TRI
	+9-32V		CRUISE	STEADY CLR 2	STEADY CLR 3
+9-32V	+9-32V		FLASH	STEADY CLR 2	STEADY CLR 3
		+9-32V	NO OP	NO OP	NO OP
+9-32V		+9-32V	LOW PWR FLASH	FLASH CLR 1	FLASH CLR 1
	+9-32V	+9-32V	CRUISE	FLASH CLR 2	FLASH CLR 2
+9-32V	+9-32V	+9-32V	LOW PWR FLASH	FLASH DUAL	FLASH CLR 3

FUNCTION TABLE 2					
WIRE			LIGHT		
RED	R/W	WHT	SINGLE	DUAL	TRI
+9-32V			FLASH	FLASH CLR 1	FLASH DUAL
+9-32V		+9-32V	CRUISE	FLASH DUAL	FLASH TRI
	+9-32V		STEADY CLR 1	STEADY CLR 2	STEADY CLR 3
	+9-32V	+9-32V	STEADY CLR 1	STEADY CLR 2	STEADY CLR 3
+9-32V	+9-32V	+9-32V	STEADY CLR 1	STEADY CLR 2	STEADY CLR 3
		+9-32V	NO OP	NO OP	NO OP
+9-32V	+9-32V		STEADY CLR 1	STEADY CLR 2	STEADY CLR 3

FUNCTION TABLE 3					
WIRE			LIGHT		
RED	R/W	WHT	SINGLE	DUAL	TRI
+9-32V			FLASH	FLASH DUAL	FLASH TRI
	+9-32V		FLASH LOW PWR	FLASH DUAL LOW PWR	FLASH TRI LOW PWR
+9-32V	+9-32V		FLASH LOW PWR	FLASH DUAL LOW PWR	FLASH TRI LOW PWR
		+9-32V	NO OP	NO OP	NO OP
+9-32V		+9-32V	FLASH LOW PWR	FLASH DUAL LOW PWR	FLASH TRI LOW PWR
	+9-32V	+9-32V	FLASH LOW PWR	FLASH DUAL LOW PWR	FLASH TRI LOW PWR
+9-32V	+9-32V	+9-32V	FLASH LOW PWR	FLASH DUAL LOW PWR	FLASH TRI LOW PWR

# ELECTRICAL INSTRUCTIONS CONTINUED:

## COLOR SWAP

This function is only valid for dual and tri-color light modules and can only be changed when the light module is in a flashing mode (disabled for single color modules and when light module is operating in cruise or steady ON functions). When the light is flashing, momentarily connect the white wire to ground for >2S and <3S (light will go steady high, steady low, off) then release. The light module will switch between Color Swap OFF and Color Swap ON. When Color Swap is OFF, the 1st color will flash 1st on a dual/tri color pattern. When Color Swap is ON, the 2nd color will flash 1st on a dual/tri color pattern.

## SIMULTANEOUS/ALTERNATE

This function can only be changed when the LED module is in a flashing mode (disabled in cruise or steady ON functions) and only has an effect when at least 2 LED modules have the green sync wire connected together. When the light is flashing, momentarily connect the white wire to ground for >3S and <4S (light will go steady high, steady low, off, steady high) then release. The light module will switch between Simultaneous and Alternate each time this sequence is done. To have light modules flash simultaneously, both light modules need to be set to the same sequence type (Set-Up Table). To have light modules flash alternately, the light modules need to be set to different sequence types (Set-Up Table).

## ADVANCE PATTERN

Flash pattern can only be changed when the LED module is in a flashing mode (disabled in cruise or steady ON functions). When the light is flashing, momentarily connect the white wire to ground for >250mS and <1S (light will go steady high) then release. The flash pattern will advance to the next pattern. If the light module was at the last pattern, the pattern will reset to the 1st pattern.

## BACKUP PATTERN

This function is only valid when the LED module is in a flashing mode (disabled in cruise or steady ON functions). When the light is flashing, momentarily connect the white wire to ground for >1S and < 2S (light will go steady high, steady low) then release. The flash pattern will backup to the previous pattern. If the light module was at the first pattern, the pattern will change to the last pattern on the list.

## PATTERN RESET

This function is only valid when the LED module is in a flashing mode (disabled in cruise or steady ON functions). When the light is flashing, momentarily connect the white wire to ground for >5S and <6S (light will go steady high, steady low, off, steady high, steady low, off) then release. The flash pattern will reset to the 1st pattern in the list.

## FACTORY RESET

This function is only valid when the LED module is in a flashing mode (disabled in cruise or steady ON functions). When the light is flashing, momentarily connect the white wire to ground for >6S and <7S (light will go steady high, steady low, off, steady high, steady low, off, steady high) then release. The LED module will reset to: pattern=1, Function Table=1, Color Swap=OFF, Simultaneous.

## LOCKOUT CONFIGURATION WIRE

This function will disable the wire tap configuration mode that is activated by holding the white wire to ground. The lock out is activated by applying ground to the white wire for >7 seconds and <8 seconds per the table below. The function can be disabled by tapping the wire to ground and releasing 8 times within 5 seconds. The light will flash 8 times when the feature is enabled or disabled to notify the user of a setting change.

**SETUP TABLE**

SECONDS		USER INTERFACE	
FROM	TO	VISUAL FEEDBACK	ACTION TAKEN
0	1	STEADY-HIGH (60%)	FORWARD ONE PATTERN
1	2	STEADY-LOW (30%)	BACKWARD ONE PATTERN
2	3	OFF	COLOR SWAP (OFF OR ON)
3	4	STEADY - HIGH (60%)	SEQUENCE TYPE: SIMULTANEOUS OR ALTERNATE
4	5	STEADY - LOW (30%)	SEE FUNCTION TABLE
5	6	OFF	RESET TO PATTERN 1
6	7	STEADY-HIGH (60%)	FACTORY RESET (PATTERN 1, COLOR SWAP: OFF, SIMULTANEOUS) SEPARATE COLOR CONTROL: OFF
7	8	STEADY - LOW (30%)	LOCK OUT WHITE CONFIGURATION WIRE

If held longer than 8 seconds, the light will go back to flashing the current pattern and no action will be taken.

# ELECTRICAL INSTRUCTIONS CONTINUED:

## REMOTE MODE: FOR USE WITH bluePRINT SYSTEM ONLY

Connecting the Green wire to ground before applying power to the Red or Red/White wires will place the LED module into remote mode and the light output color will be directly controlled by the input wires as shown below.

mpower® Secondary LED Light Remote Mode Functionality							
Red Wire	Red/White Wire	Single Color		Dual Color		Tri Color	
		Color Swap=OFF	Color Swap=ON	Color Swap=OFF	Color Swap=ON	Color Swap=OFF	Color Swap=ON
Cruise	-	Cruise Color 1		Cruise Color 1	Cruise Color 2	Cruise Color 1	Cruise Color 2
-	Cruise			Cruise Color 2	Cruise Color 1	Cruise Color 2	Cruise Color 1
Cruise	Cruise			Cruise Color 2	Cruise Color 1	Cruise Color 3	Cruise Color 3
Flash	-	Flash Color 1		Flash Color 1	Flash Color 2	Flash Color 1	Flash Color 2
-	Flash			Flash Color 2	Flash Color 1	Flash Color 2	Flash Color 1
Flash	Flash			Flash Color 2	Flash Color 1	Flash Color 3	Flash Color 3
Steady ON	-	Steady ON Color 1		Steady ON Color 1	Steady ON Color 2	Steady ON Color 1	Steady ON Color 2
-	Steady ON			Steady ON Color 2	Steady ON Color 1	Steady ON Color 2	Steady ON Color 1
Steady ON	Steady ON			Steady ON Color 2	Steady ON Color 1	Steady ON Color 3	Steady ON Color 3
Cruise	Flash			Flash Color 2/Cruise Color 1 during OFF cycle of Flash	Flash Color 1/Cruise Color 2 during OFF cycle of Flash		
Cruise	Steady ON			Steady ON Color 2	Steady ON Color 1		
Flash	Steady ON			Steady ON Color 2	Steady ON Color 1		

### **Cruise and Low Power Modes**

For Cruise mode or Low Power control of the LED module, the signal to the control wires must be 100 +/- 2Hz using the duty cycle inputs listed below to produce the light output.

Cruise Mode Duty Cycle (@ 100Hz)	
Input	Light Output
40%	OFF
50%	5%
60%	10%

Low Power Flash D.C. (@ 100Hz)	
Input	Light Output
70%	30%
80%	40%
90%	50%

## WARRANTY & RETURN GOODS PROCEDURE

### WARNING MESSAGES - PLEASE READ:

**WARNING** - DRILLING ANY HOLES INTO THE MPOWER LIGHT IS NOT RECOMMENDED! THE RISK OF DAMAGING INTERNAL COMPONENTS AND THE RESULTING FAILURE OF THE MPOWER LIGHT WILL VOID ANY WARRANTY OF THIS PRODUCT.

**WARNING** - CARE MUST BE TAKEN WHEN DRILLING THROUGH THE VEHICLE NOT TO DRILL INTO ANY EXISTING WIRING CHECK BOTH SIDES OF THE MOUNTING SERVICE PRIOR TO DRILLING. DE-BURR ANY HOLES AND REMOVE ANY METAL SHARDS OR REMNANTS. INSTALL GROMMETS INTO ALL WIRE PASSAGE HOLES.

**WARNING** - ROUTE WIRES ONLY IN LOCATIONS THAT ARE NOT SUBJECTED TO POTENTIAL WEAR. MAKE SURE TO AVOID ROUTING WIRES IN THE DEPLOYMENT AREA OF YOUR AIR BAG. REFER TO YOUR VEHICLE OWNER'S MANUAL FOR AIR BAG DEPLOYMENT ZONES.

**WARNING** - ALL CUSTOMER SUPPLIED POWER WIRES CONNECTING TO THE POSITIVE (+) OR NEGATIVE (-) BATTERY TERMINAL OR LOCAL CHASSIS GROUND (-) MUST BE SIZED TO SUPPLY AT LEAST 125% OF THE MAXIMUM CURRENT AND PROPERLY FUSED AT THE POWER SOURCE WITH APPROPRIATELY RATED FUSE.

### WARRANTY RETURN PROCESS:

Please scan QR code or visit  
<https://soundoffsignal.com/support-page/returns/>.



Alternatively contact your SoundOff Signal Sales Representative, Customer Services staff or our Technical Department (800.338.7337) for a RMA #, Return Merchandise Authorization Number.

The following information is required for issuance of the RMA #:

- Reason for returning the product\*
- Address where replacement product is to be shipped\*
- Telephone number where you may be reached\*
- SoundOff Signal invoice number on which product was purchased\*\*
- SoundOff Signal part number and serial number\*\*
- E-mail address where RMA # should be e-mailed\*\*
- Fax number where RMA # should be faxed\*\*

\* RMA # will not be given without this information.

\*\* If available, please provide this information.

SoundOff Signal will NOT accept returns without an RMA #. Each RMA # is good for only one (1) return and will expire (30) days after the date it was issued. Products must be shipped back to SoundOff Signal and the RMA # clearly marked on the outside of the package near the shipping label. Please use the following address on your shipping label:

SoundOff Signal  
ATTN: RMA # / Technical Services  
3900 Central Parkway  
Hudsonville, MI 49426

### WARRANTY EXCLUSIONS:

Shipping & Handling, labor and service fees are non-refundable. SoundOff Signal is not liable for any damage due to installation or personal injury as a result of using SoundOff Signal product.

### WARRANTY FORFEITURE:

Warranty will not be granted if the Warranty Return Policy & Procedure rules are not strictly followed. Physical damage resulting from customer abuse will void warranty. Warranty will also be voided if any SoundOff Signal and/or manufacturer serial tags, product stickers, seals, or the like, are removed, altered or tampered with. Returned product that is damaged by shipping via the RMA # procedure is not the responsibility of SoundOff Signal.

Document effective date on cover and below supersedes previously dated policies and statements.

There are no other warranties, expressed or implied, including, but not limited to, any implied merchantability or fitness for a particular use. SoundOff Signal reserves the right to modify this warranty statement at any time; or to discontinue, modify, or upgrade any products of its manufacture with design improvements without prior notice.

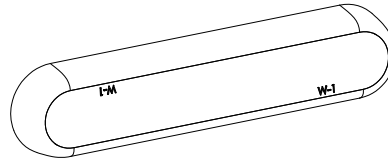


## LUCES SUPERFICIALES- 10,16 CM (4")

EMPS2QM(x)(xxx) - MONTAJE RÁPIDO

EMPS2SMS(x)(xxx)- MONTAJE CON TORNILLOS

EMPS2STS(x)(xxx) - MONTAJE CON PASADORES ROSCADOS



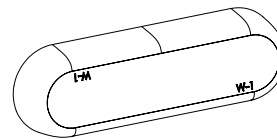
## LUCES SUPERFICIALES -7.62 CM (3")

EMPS1QM(x)(x) - MONTAJE RÁPIDO

EMPS1SMS(x)(xxx)- MONTAJE CON TORNILLOS

EMPS1STS(x)(xxx) - FORD GRILLE MONTAJE

EMPS1SLS(x)(xxx)- MONTAJE DE PERNO



Protegido por la patente de EE. UU. 10,703,260 y patentes pendientes

<https://soundoffsignal.com/legal/patent-notification/>

## ⚠ ADVERTENCIA ⚠

- ALTA CORRIENTE: las interconexiones deben estar debidamente terminadas. La calidad deficiente del engarzado puede causar la acumulación de calor e incendios. Siga las instrucciones del fabricante para el conector de engarzado.
- NO instale este producto ni trace ningún cableado en la zona de despliegue de la bolsa de aire. Consulte el manual del propietario del vehículo para obtener información de las zonas de despliegue.
- Durante el funcionamiento normal la unidad podría estar caliente al tacto.
- La instalación incorrecta de los conectores, fusibles o cableado podría causar la falla o el incendio del vehículo.
- La instalación debe ser realizada únicamente por un técnico capacitado. El instalador debe determinar la configuración del cableado del vehículo y la integración adecuada del sistema.
- Utilice un calibrador de cables adecuado. Todos los cables de alimentación conectados a un terminal de batería positivo (+) o negativo (-) o a la masa del chasis local (-) deben tener la dimensión adecuada para suministrar al menos 125 % de la corriente máxima y deben estar correctamente unidos con fusible a la fuente de energía.
- Instalar arandelas protectoras cuando se trace el cableado a través del cortafuego o metal.

4" DIMENSIONES / ESPECIFICACIONES TÉCNICAS . . . . . 14

3" DIMENSIONES / ESPECIFICACIONES TÉCNICAS . . . . . 15

INSTALACIÓN RÁPIDA / CON MONTAJE EN ESPÁRRAGO . . . 16

INSTALACIÓN DEL MONTAJE CON TORNILLO/BORDE. . . . . 17

INSTALACIÓN DE MONTAJE MÚLTIPLE / PLACA TRASERA . . . 18

INFORMACIÓN DE LA PLANTILLA DE AGUJERO DE 4" . . . . . 19

INFORMACIÓN DE LA PLANTILLA DE AGUJERO DE 4" . . . . . 20

INSTALACIÓN ELÉCTRICA / INFORMACIÓN . . . . . 21 - 24

**⚠ ADVERTENCIA**  
Este producto contiene dispositivos LED de alta intensidad. Para prevenir el daño ocular, NO mirar directamente al rayo de luz a corta distancia.



Busque la última versión de la hoja de instrucciones

### AVISO:

Los instaladores y usuarios deben cumplir todas las leyes federales, estatales y locales con respecto al uso y la instalación de dispositivos de advertencia. *El uso o la instalación incorrecta podrían anular la cobertura de la garantía. Para revisar nuestra Declaración de garantía limitada y Política de devolución para este o cualquier producto de SoundOff Signal, visite nuestro sitio web [www.soundoffsignal.com/sales-support](http://www.soundoffsignal.com/sales-support). Si tiene alguna consulta con respecto a este producto, comuníquese con **Servicios técnicos** de lunes a viernes de 8 a. m. a 5 p. m. al 1.800.338.7337 (presione el n.º 4 para pasar el mensaje automático). Las preguntas o comentarios que no requieren una atención inmediata pueden enviarse por correo electrónico a [techservices@soundoffsignal.com](mailto:techservices@soundoffsignal.com).*



1.800.338.7337 / [www.soundoffsignal.com](http://www.soundoffsignal.com)

RELACIÓN SUPERIOR CON LOS CLIENTES. SOLUCIONES DE ILUMINACIÓN Y ELECTRÓNICA DISEÑADAS DE FORMA INTELIGENTE

# 4" mpower® DIMENSIONES / ESPECIFICACIONES:

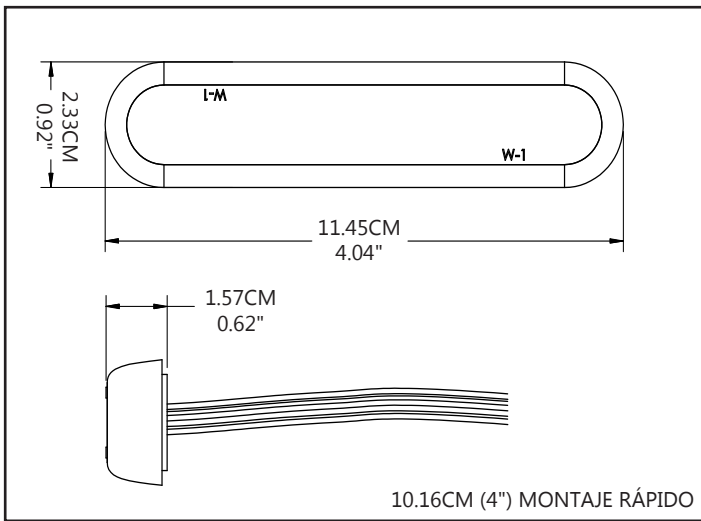
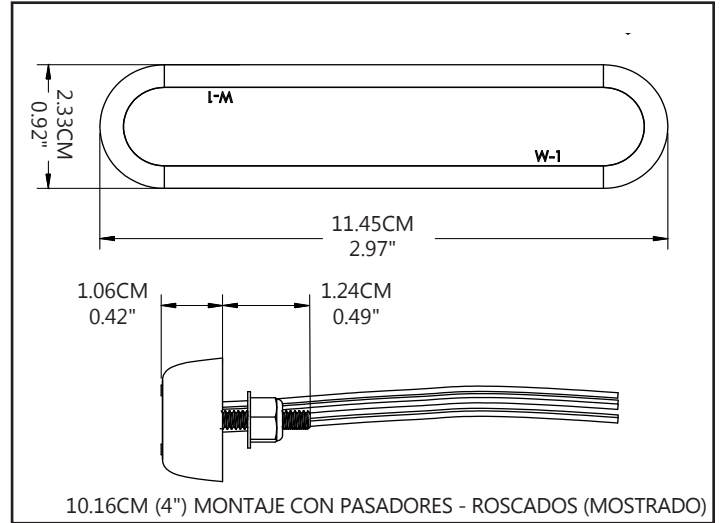
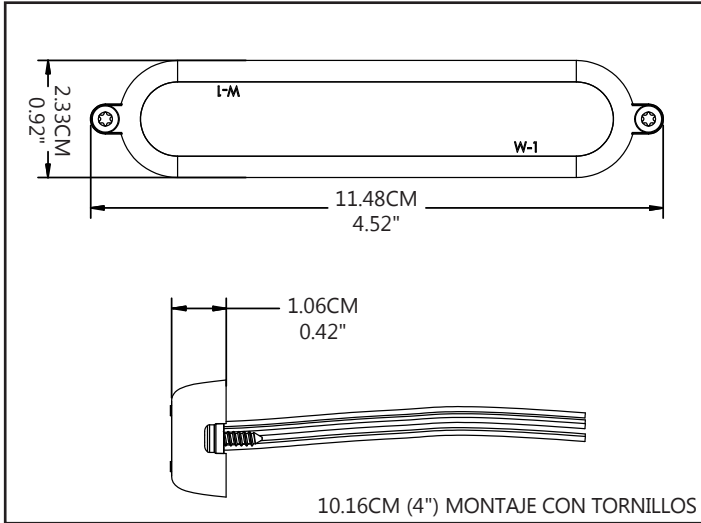


TABLA DE CONEXIONES DE CABLES	
WIRE COLOR:	FUNCTION:
ROJO	Potencia (primaria)
NEGRO	Tierra
VERDE**	Sync2*
BLANCO A TIERRA	Función del cable (consulte la pág. 23)
BLANCO a POTENCIA	Cable de función
ROJO/BLANCO	Potencia (secundaria)

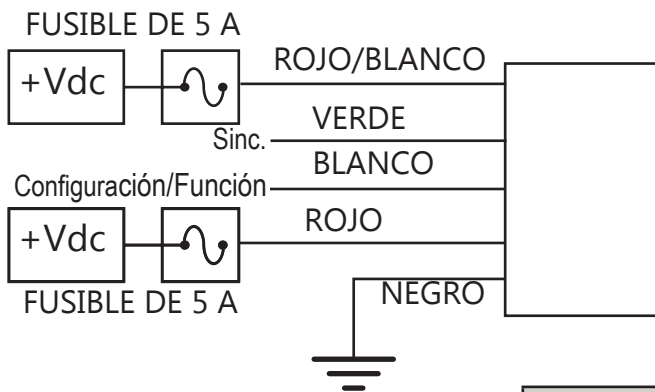
\*\*Para sincronizar luces mPower múltiples, conectar el cable verde de cada luz juntos.

\*NO funcionará con otros productos Sync2 como Ghost, LED3 e Intersector cableado de 4 con intermitente externo.

\*Funcionará con los productos Sync2 nFORCE Luces secundarias, nFORCE FIT y luces de intersección cableado de 5.

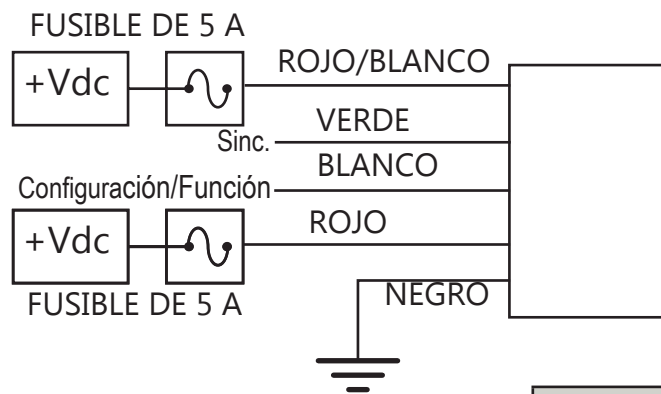
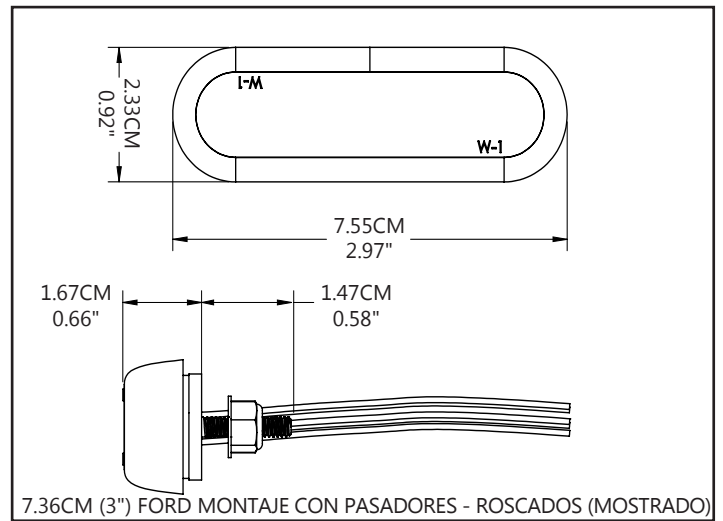
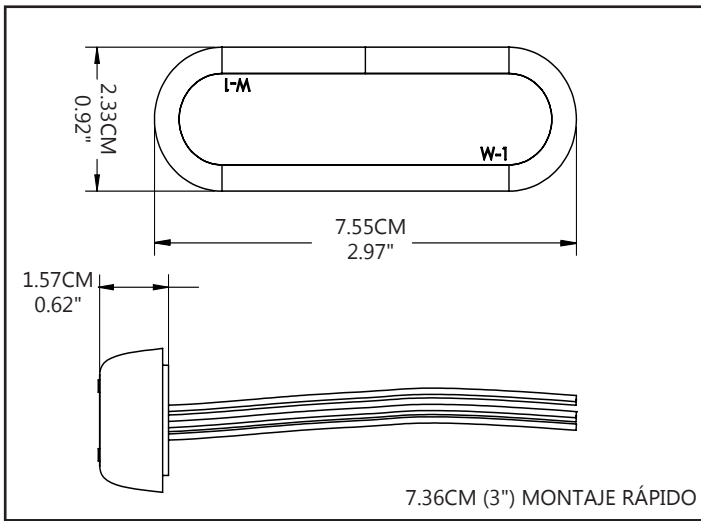
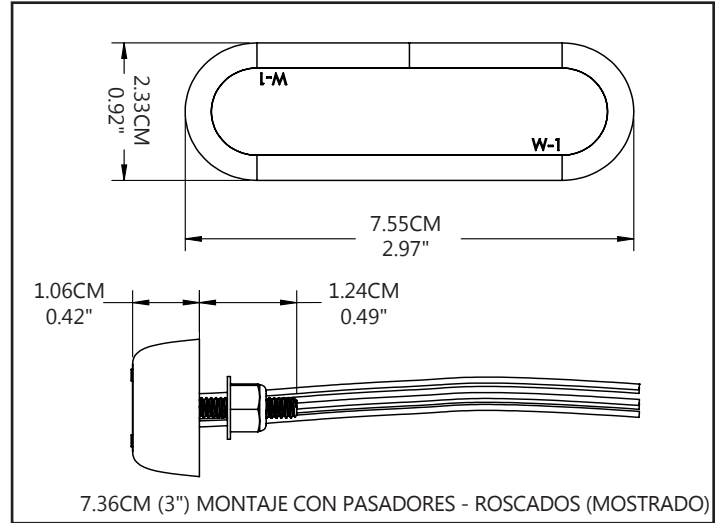
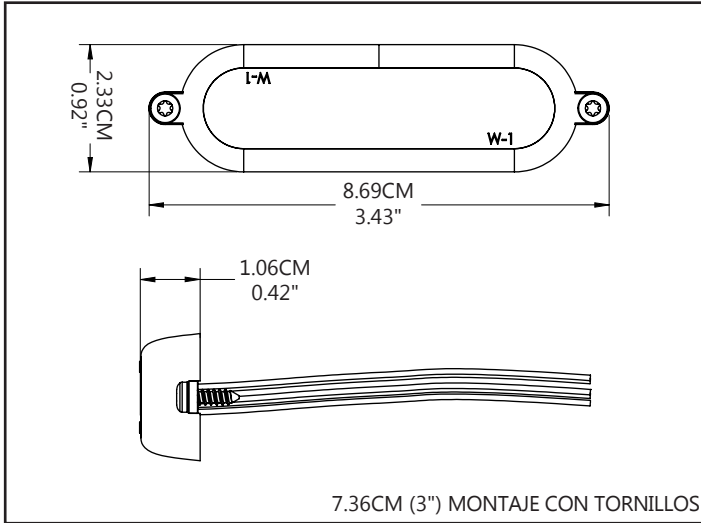
ESPECIFICACIONES TECNICAS			
Voltaje de entrada:		9-32Vdc	
10.16cm CONSUMO DE CORRIENTE (Amps)			
12.8Vdc		25.6Vdc	
Pico	Promedio	Pico	Promedio
Rojo	0.62	0.36	0.31
Ambar, Azul, Verde o Blanco	0.90	0.60	0.45

**DESPUÉS DEL ENCENDIDO**, conectar el cable BLANCO a tierra le permitirá modificar varias configuraciones en el módulo. (consulte las pág. 23)



**⚠ ADVERTENCIA**  
Este producto contiene dispositivos LED de alta intensidad. Para prevenir el daño ocular, NO mirar directamente al rayo de luz a corta distancia.

# 3" mpower® DIMENSIONES / ESPECIFICACIONES:



## ESPECIFICACIONES TECNICAS

Voltaje de entrada:		9-32Vdc	
<b>7.36cm CONSUMO DE CORRIENTE (Amps)</b>			
<b>12.8Vdc</b>		<b>25.6Vdc</b>	
	<b>Pico</b>	<b>Promedio</b>	
<b>Rojo</b>	0.62	0.26	0.13
<b>Ambar, Azul, Verde o Blanco</b>	0.90	0.38	0.19

**⚠ ADVERTENCIA**  
Este producto contiene dispositivos LED de alta intensidad. Para prevenir el daño ocular, NO mirar directamente al rayo de luz a corta distancia.

**DESPUÉS DEL ENCENDIDO**, conectar el cable BLANCO a tierra le permitirá modificar varias configuraciones en el módulo. (consulte las pág. 23)

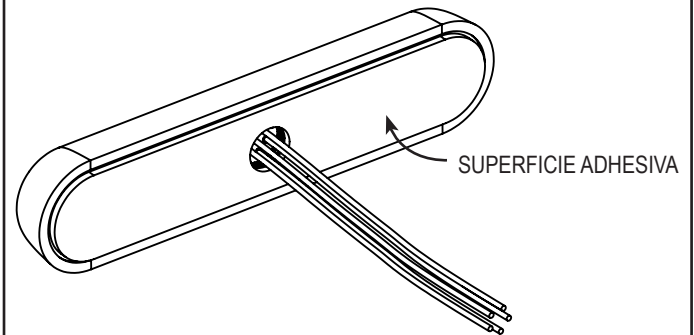


## MONTAJE RÁPIDO INSTALACIÓN: //

### Montaje rápido (FIG. 1)

1. El patrón de preperforación por montaje rápido se indica en la página 19 (4") or página 20 (3"). (Orificio para el cable únicamente).
2. Elimine las rebabas del orificio según sea necesario.
3. Superficie limpia con toallita de alcohol suministrada.
4. Realice la conexión del cable y pase el cable a través del orificio para perforado para el cable.
5. Retire la tira adhesiva de respaldo y alinee con cuidado en la posición deseada. Aplique a la superficie y mantenga firmemente durante 30 segundos. ¡PRECAUCIÓN! APLIQUE PRESIÓN UNIFORME EN TODA LA EXTENSIÓN DE LA LUZ.

FIG. 1



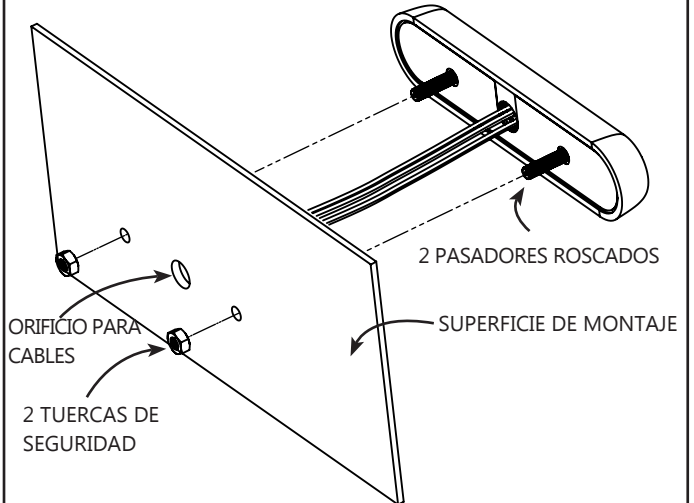
MONTAJE RÁPIDO

## MONTAJE CON PASADORES ROSCADOS INSTALACIÓN: //

### Montaje con pasadores roscados (FIG. 2)

1. El patrón de preperforación por montaje rápido se indica en la página 19 (4") or página 20 (3"). (Orificio para el cable únicamente).
2. Elimine las rebabas del orificio según sea necesario.
3. Limpie la superficie según sea necesario.
4. Realice las conexiones de cables y pase el cable a través del orificio perforado para cables.
5. Instale la luz, inserte 2 pasadores en los 2 orificios perforados.
6. Instale 2 tuercas de seguridad en los pasadores por detrás de la superficie de montaje. Ajuste a mano solo hasta que la superficie de montaje y la luz estén alineados. Después de que la tuerca haga contacto total con la superficie de montaje, apriete 1/8 de vuelta (torque no más de 15 en libras.)

FIG. 2



MONTAJE CON PASADORES - ROSCADOS (MOSTRADO)  
FORD GRILLE MONTAJE- ROSCADOS (SIMILAR, NO SE MUESTRA)



NO USE HERRAMIENTAS  
ELÉCTRICAS PARA  
APRETAR

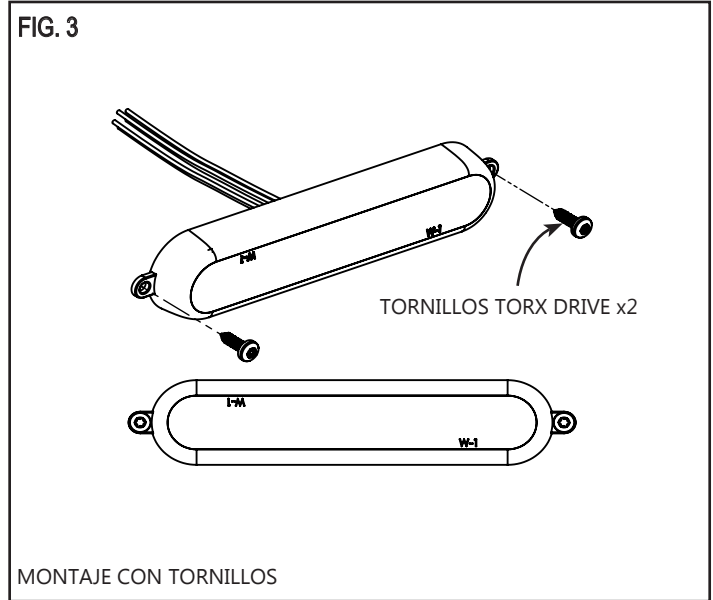
## MONTAJE CON TORNILLOS INSTALACIÓN: //

### Montaje con tornillos (FIG 3)

1. El patrón de preperforación por montaje rápido se indica en la página 19 (4") or página 20 (3"). (Orificio para el cable únicamente).
2. Elimine las rebabas y limpie la superficie según sea necesario.
3. Realice las conexiones de cables y pase el cable a través del orificio perforado para cables.
4. Instale la luz con 2 tornillos sin fin Torx y ajuste a mano solo hasta que la superficie de montaje y la luz estén alineados.



NO USE HERRAMIENTAS ELÉCTRICAS PARA APRETAR



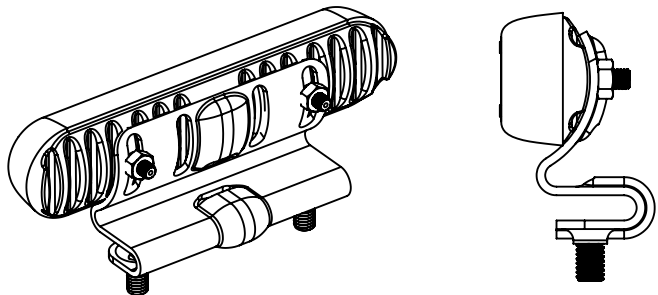
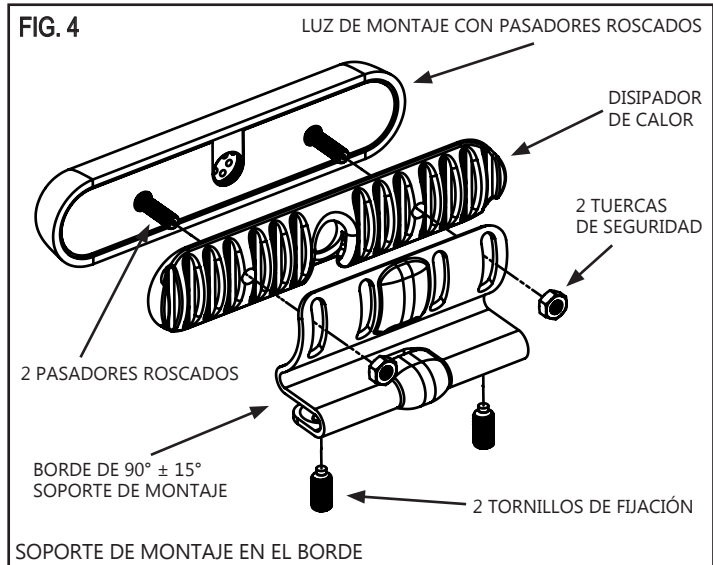
## SOPORTE DE MONTAJE EN EL BORDE INSTALACIÓN: //

### SOPORTE DE MONTAJE EN EL BORDE (FIG. 4) P/N: PMP2BKEDGE

1. Instale el disipador de calor en la luz "mPOWER Montaje con pasador roscado" según se indica. Pase el cable por el orificio central.
2. Instale el soporte en la luz "mPOWER Montaje con pasador roscado" según se indica. Pase el cable por la descarga trasera hacia la descarga del agarre del borde inferior.
3. Instale 2 tuercas de seguridad en la luz "mPOWER Montaje con pasador roscado". Ajuste a mano hasta el tope.
4. Coloque el soporte sobre la superficie deseada del borde del vehículo (es decir, el capó trasero), asegúrese de que el cable esté completamente asentado en la descarga trasera, envuelto alrededor del borde y en posición plana.
5. Ajuste 2 tornillos de fijación a la superficie del borde del vehículo.
6. Ajuste el ángulo de la luz en la dirección deseada y ajuste 2 tuercas de seguridad hasta que queden fijas. Después de que la tuerca haga contacto total con la superficie de montaje, apriete 1/8 de vuelta (torque no más de 15 en libras.)
7. Realice las conexiones de cables.



NO USE HERRAMIENTAS ELÉCTRICAS PARA APRETAR

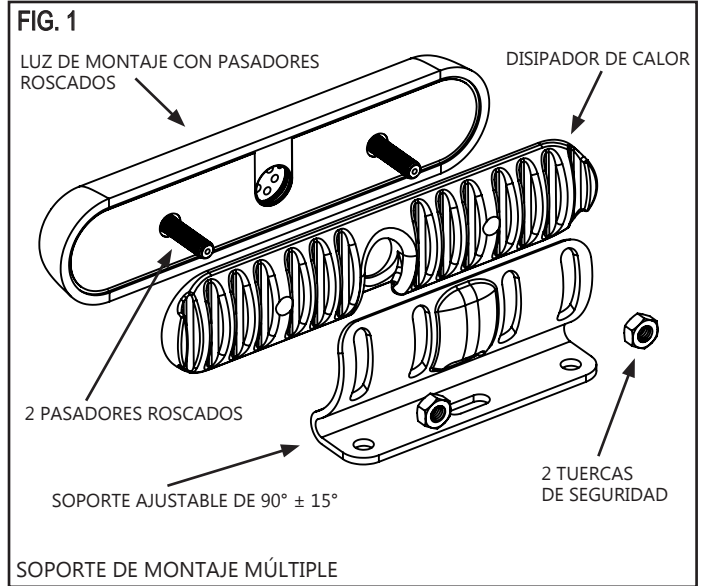


## SOPORTE DE MONTAJE MÚLTIPLE INSTALACIÓN: //

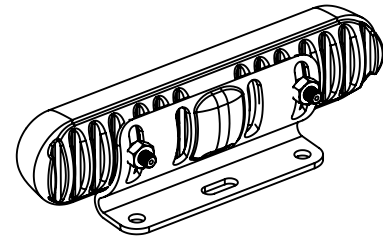
### Soporte de montaje múltiple (FIG. 1)

P/N: PMP2BKDGJ

1. Preperfore los orificios de montaje según sea necesario. Los orificios del soporte y el espaciado se indican en la página 19 (4") or página 20 (3").
2. Coloque el soporte sobre la superficie deseada del vehículo y asegúrelo con tornillos (no provistos).
3. Instale el disipador de calor en la luz "mPOWER Montaje con pasador roscado" según se indica. Pase el cable por el orificio central.
4. Instale la luz "mPOWER Montaje con pasador roscado" sobre el soporte según se indica. El cable pasa por la descarga trasera.
5. Instale 2 tuercas de seguridad en la luz "mPOWER Montaje con pasador roscado" según se indica. Ajuste a mano hasta el tope.
6. Ajuste el ángulo de la luz en la dirección deseada y ajuste 2 tuercas de seguridad hasta que queden fijas. Después de que la tuerca haga contacto total con la superficie de montaje, apriete 1/8 de vuelta (torque no más de 15 en libras.)
7. Realice las conexiones de cables.



SOPORTE DE MONTAJE MÚLTIPLE



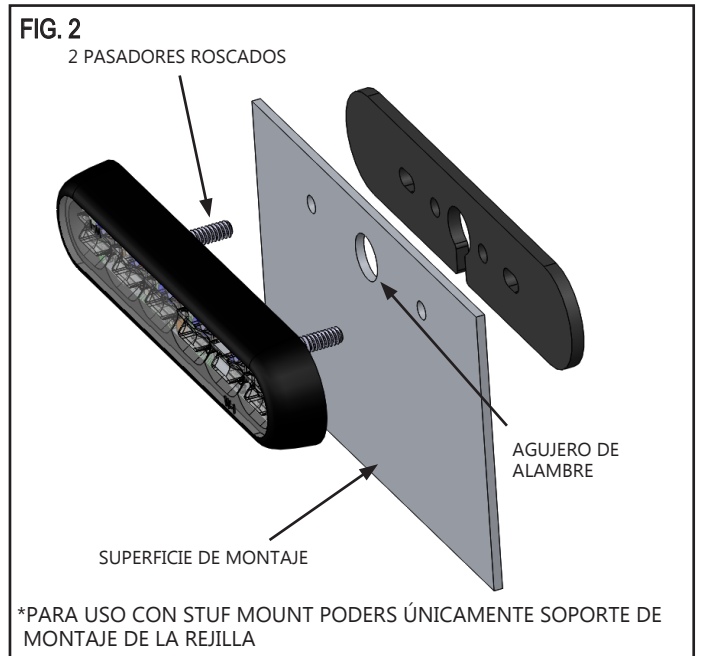
NO USE HERRAMIENTAS ELÉCTRICAS PARA APRETAR

## MONTAJE DE LA PARRILLA INSTALLATION: //

### Placa trasera de montaje en rejilla (FIG. 2)

P/N: PMP2BKGBP

1. Taladre previamente los orificios de montaje según sea necesario (los orificios de los soportes y el espacio se indican en la página 19 (4") o en la página 20 (3").
2. Coloque el soporte en la superficie deseada del vehículo y asegúrelo con tornillos (no incluidos).
3. Instale el disipador de calor en la luz "mPOWER Stud Mount, Threaded" como se indica. El cable pasa por el orificio central.
4. Instale la luz "mPOWER Stud Mount, Thread" en el soporte como se indica. El cable pasa a través del alivio trasero.
5. Instale 2 contratueras en la luz "mPOWER Stud Mount, Thread" como se indica. Apriete a mano hasta el ajuste final.
6. Ajuste el ángulo de la luz en la dirección deseada y apriete las 2 contratueras hasta que quede firme. Después de que la tuerca haga contacto total con la superficie de montaje, apriete a mano 1/8 de vuelta (un par de torsión no superior a 15 in-lbs.)
7. Haga conexiones de cables.



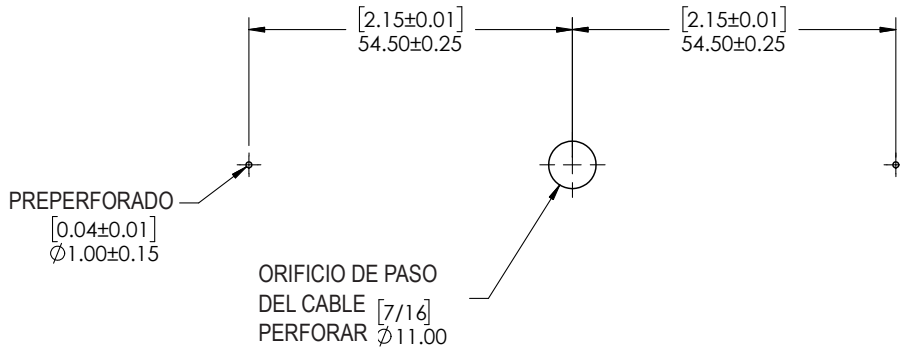
\*PARA USO CON STUF MOUNT PODERS ÚNICAMENTE SOPORTE DE MONTAJE DE LA REJILLA



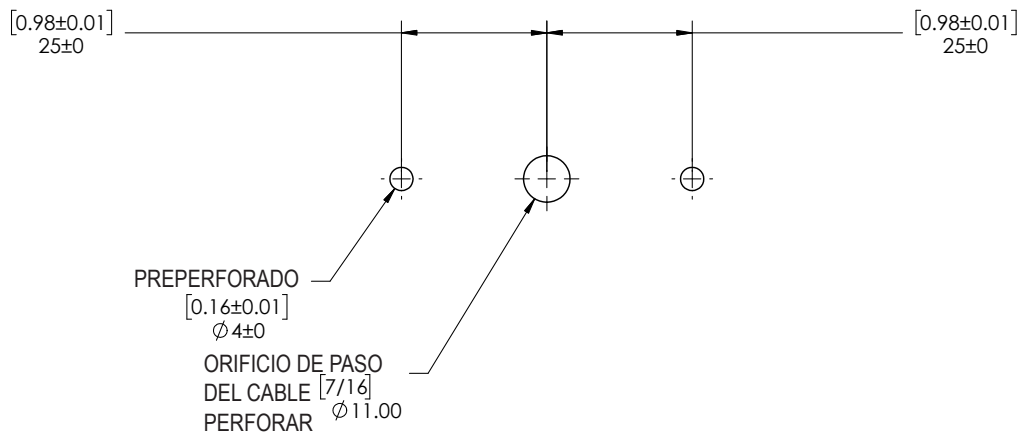
NO USE HERRAMIENTAS ELÉCTRICAS PARA APRETAR

# LUCES SUPERFICIALES - 10.16CM

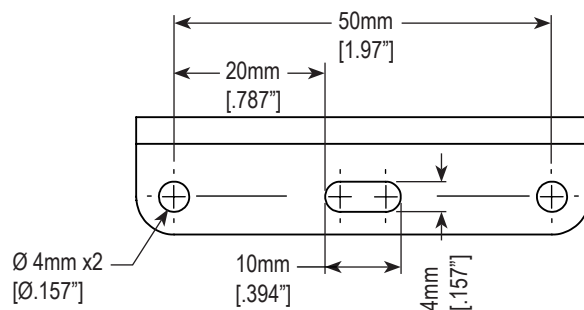
## PATRÓN DE ORIFICIO DE MONTAJE CON TORNILLOS



## PLANTILLA ROSCADA DE MONTAJE CON TORNILLOS



## SOPORTE DE MONTAJE MÚLTIPLE

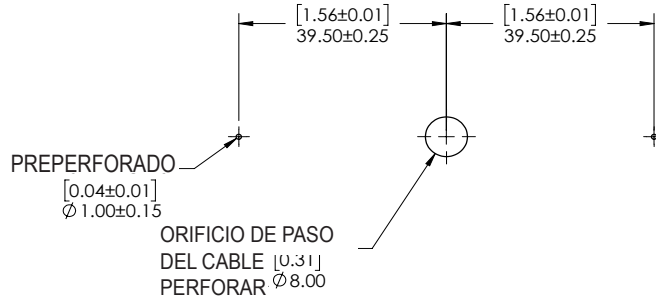


### **NOTA IMPORTANTE:**

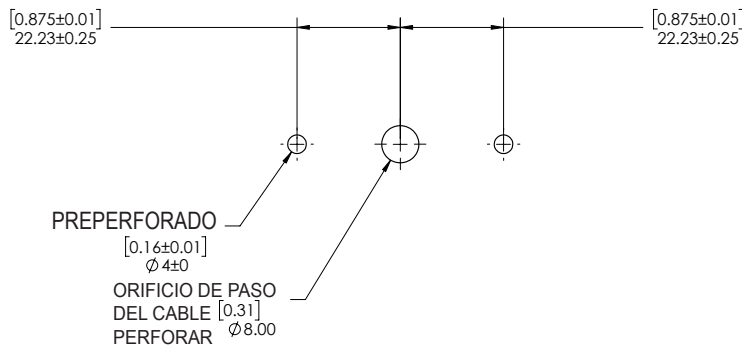
Debido a las variaciones en el proceso de impresión y a factores ambientales, los tamaños mostrados podrían ser imprecisos. Si este documento se utiliza como patrón de corte, es responsabilidad de los instaladores confirmar la precisión de las dimensiones mostradas y ajustarlas de manera correspondiente.

# LUCES SUPERFICIALES - 7.62CM:

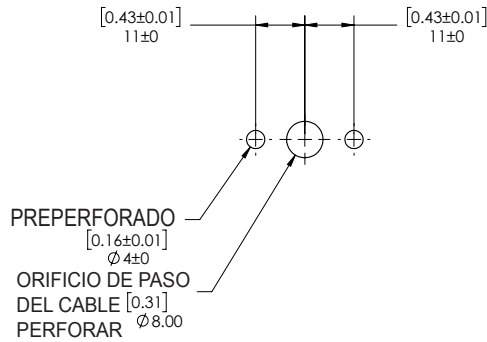
## PATRÓN DE ORIFICIO DE MONTAJE CON TORNILLOS



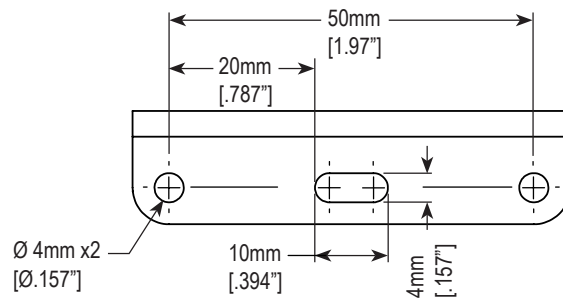
## MONTAJE DE PERNO



## FORD GRILLE MONTAJE



## SOPORTE DE MONTAJE MÚLTIPLE



## INSTRUCCIONES ELÉCTRICAS:

### PROTECCIÓN CONTRA SOBRETENSIÓN

Cuando se detecte una condición de sobretensión, el módulo emitirá un patrón de advertencia de sobretensión de 50 mS ENCENDIDO/950 mS APAGADO para alertar acerca de la condición de sobretensión y proteger los componentes electrónicos del daño causado por el calor/la tensión.

### PROTECCIÓN POR COMPENSACIÓN TÉRMICA

El módulo LED está diseñado para proveer una salida de potencia máxima a la vez que provee protección a los componentes electrónicos mediante la reducción de la salida de potencia a temperaturas extremas.

### SYNC2

La sincronización del parpadeo de múltiples módulos de luces se logra a través de la conexión de los cables verdes de diferentes módulos de luces juntos. Se pueden conectar hasta 24 módulos de luces para un parpadeo sincronizado. Todos los patrones de parpadeo se deben ajustar al mismo n.º de patrón para asegurar un funcionamiento correcto. Consulte la sección Tipo de secuencia en la Tabla de configuraciones (pagina 23) para configurar los módulos de luces de manera que parpadeen en patrones alternativos o simultáneos.

NOTA: NO funcionará con productos que no sean Sync2 como Ghost, LED3 e cableado de 4 intersector de color único. FUNCIONARÁ con los productos Sync2 nFORCE luces secundarias, nFORCE FIT y luces de cableado de 5 intersección de color doble.

PATRONES DE PARPADO			
N.º DE PATRÓN	COLOR ÚNICO	COLOR DOBLE	TRIPLE CO-LOR
1		QUINT	
2		WARP	
3		INTER-CYCLE	
4		DOUBLE	
5		QUAD	
6		POWER PULSE	
7		ROAD RUNNER	
8		Q-SWITCH	
9		STEADY-BURN/ROADRUNNER (TIPO DE SECUENCIA 1: STEADY BURN, TIPO DE SECUENCIA 2: ROADRUNNER)	
10		STEADY-BURN DRIVER TITLE 13 QUAD (TIPO DE SECUENCIA 1: STEADY BURN, TIPO DE SECUENCIA 2: TITLE 13 QUAD)	
11		QUAD 2	
12		DOUBLE 2	
13			RANDOM 1
14			RANDOM 2

# INSTRUCCIONES ELÉCTRICAS CONTINUACIÓN:

## TABLAS DE FUNCIONES

Las modificaciones de la tabla de funciones están habilitadas solo cuando el módulo LED se encuentra en modo parpadeo (inhabilitado en las funciones de modo crucero o estable ENCENDIDO). La operación funcional del módulo LED se puede modificar si se aplica el +V al cable rojo con el cable negro conectado a tierra.

Cuando la luz está parpadeando, conectar momentáneamente el cable blanco a tierra durante >4 S y <5 S (la luz variará de estable alta a estable baja, a apagada, a estable alta, a estable baja) y desconectar. La tabla de funciones avanzará a la siguiente tabla (tabla 1 a tabla 2, tabla 2 a tabla 3, o tabla 3 a tabla 1). Repita el proceso arriba mencionado hasta que se active la tabla de funciones requerida.

TABLAS DE FUNCIONES 1					
CABLE			LUZ		
ROJO	R/B	BLANCO	SIMPLE	DOBLE	TRIPLE
+9-32 V			PARPADEO	PARPADEO DOBLE	PARPADEO TRIPLE
	+9-32 V		CRUCERO	ESTABLE TRANSP. 2	ESTABLE TRANSP. 3
+9-32 V	+9-32 V		PARPADEO	ESTABLE TRANSP. 2	ESTABLE TRANSP. 3
		+9-32 V	NO OP	NO OP	NO OP
+9-32 V		+9-32 V	PARPADEO DE POTENCIA BAJA	PARPADEO TRANSP. 1	PARPADEO TRANSP. 1
	+9-32 V	+9-32 V	CRUCERO	PARPADEO TRANSP. 2	PARPADEO TRANSP. 2
+9-32 V	+9-32 V	+9-32 V	PARPADEO DE POTENCIA BAJA	PARPADEO TRANSP. 1 Y 2	PARPADEO TRANSP. 3

TABLAS DE FUNCIONES 2					
CABLE			LUZ		
ROJO	R/B	BLANCO	SIMPLE	DOBLE	TRIPLE
+9-32 V			PARPADEO	PARPADEO TRANSP. 1	PARPADEO DOBLE
+9-32 V		+9-32 V	CRUCERO	PARPADEO DOBLE	PARPADEO TRIPLE
	+9-32 V		ESTABLE TRANSP. 1	ESTABLE TRANSP. 2	ESTABLE TRANSP. 3
	+9-32 V	+9-32 V	ESTABLE TRANSP. 1	ESTABLE TRANSP. 2	ESTABLE TRANSP. 3
+9-32 V	+9-32 V	+9-32 V	ESTABLE TRANSP. 1	ESTABLE TRANSP. 2	ESTABLE TRANSP. 3
		+9-32 V	SIN FUNC.	SIN FUNC.	SIN FUNC.
+9-32 V	+9-32 V		ESTABLE TRANSP. 1	ESTABLE TRANSP. 2	ESTABLE TRANSP. 3

TABLAS DE FUNCIONES 3					
CABLE			LUZ		
ROJO	R/B	BLANCO	SIMPLE	DOBLE	TRIPLE
+9-32 V			PARPADEO	PARPADEO DOBLE	PARPADEO TRIPLE
	+9-32 V		PARPADEO DE POTENCIA BAJA	PARPADEO DOBLE, POTENCIA BAJA	PARPADEO TRIPLE, POTENCIA BAJA
+9-32 V	+9-32 V		PARPADEO DE POTENCIA BAJA	PARPADEO DOBLE, POTENCIA BAJA	PARPADEO TRIPLE, POTENCIA BAJA
		+9-32 V	NO OP	NO OP	NO OP
+9-32 V		+9-32 V	PARPADEO DE POTENCIA BAJA	PARPADEO DOBLE, POTENCIA BAJA	PARPADEO TRIPLE, POTENCIA BAJA
	+9-32 V	+9-32 V	PARPADEO DE POTENCIA BAJA	PARPADEO DOBLE, POTENCIA BAJA	PARPADEO TRIPLE, POTENCIA BAJA
+9-32 V	+9-32 V	+9-32 V	PARPADEO DE POTENCIA BAJA	PARPADEO DOBLE, POTENCIA BAJA	PARPADEO TRIPLE, POTENCIA BAJA

# INSTRUCCIONES ELÉCTRICAS CONTINUACIÓN:

## CAMBIO DE COLORES

Esta función es válida únicamente para módulos de luces dobles y triples y se puede modificar únicamente cuando el módulo de luces se encuentra en modo parpadeo (inhabilitado para módulos de color único y cuando el módulo de luces opera en funciones de modo crucero o estable ENCENDIDO). Cuando la luz esté parpadeando, conectar momentáneamente el cable blanco a tierra durante  $>2$  S y  $<3$  S (la luz variará de estable alta a estable baja, a apagada) y desconectar. El módulo de luces cambiará entre Cambio de colores APAGADO y Cambio de colores ENCENDIDO. Cuando el Cambio de colores esté APAGADO, el 1° color parpadeará primero en un patrón de color doble/triple. Cuando el Cambio de colores esté ENCENDIDO, el 2° color parpadeará primero en un patrón de color doble/triple.

## FUNCIÓN SIMULTÁNEA/ALTERNATIVA

Esta función se puede modificar únicamente cuando el módulo LED se encuentra en un modo de parpadeo (está inhabilitada en funciones de modo crucero o estable ENCENDIDO) y solo tiene efecto cuando al menos 2 módulos LED tienen los cables de sincronización verde conectados juntos. Cuando la luz esté parpadeando, conectar momentáneamente el cable blanco a tierra durante  $>3$  S y  $<4$  S (la luz variará de estable alta a estable baja, a apagada, a estable alta) y desconectar. El módulo de luces variará entre Simultánea y Alternativa cada vez que se realice esta secuencia. Para que los módulos de luces parpadeen simultáneamente, ambos módulos de luces deben estar ajustados al mismo tipo de secuencia (Tabla de configuraciones). Para que los módulos de luces parpadeen de manera alternativa, los módulos de luces deben estar ajustados a diferentes tipos de secuencias (Tabla de configuraciones).

## PATRÓN DE AVANCE

El patrón de parpadeo se puede modificar únicamente cuando el módulo LED se encuentra en modo parpadeo (inhabilitado en las funciones de modo crucero o estable ENCENDIDO). Cuando la luz esté parpadeando, conectar momentáneamente el cable blanco a tierra durante  $>250$  mS y  $<1$  mS (la luz será estable alta) y desconectar. El patrón de parpadeo avanzará al siguiente patrón. Si el módulo de luces se encontraba en el último patrón, el patrón se reiniciará al 1° patrón.

## PATRÓN DE RESPALDO

Esta función es válida únicamente cuando el módulo LED se encuentra en modo parpadeo (inhabilitado en las funciones de modo crucero o estable ENCENDIDO). Cuando la luz esté parpadeando, conectar momentáneamente el cable blanco a tierra durante  $>1$  S y  $<2$  S (la luz variará de estable alta a estable baja) y desconectar. El patrón de parpadeo regresará al patrón anterior. Si el módulo de luces se encontraba en el primer patrón, el patrón cambiará al último patrón en la lista.

## RESTABLECIMIENTO DEL PATRÓN

Esta función es válida únicamente cuando el módulo LED se encuentra en modo parpadeo (inhabilitado en las funciones de modo crucero o estable ENCENDIDO). Cuando la luz está parpadeando, conectar momentáneamente el cable blanco a tierra durante  $>5$  S y  $<6$  S (la luz variará de estable alta a estable baja, a apagada, a estable alta, a estable baja, a apagada) y desconectar. El patrón de parpadeo regresará al primer patrón en la lista.

## RESTABLECIMIENTO DE FÁBRICA

Esta función es válida únicamente cuando el módulo LED se encuentra en modo parpadeo (inhabilitado en las funciones de modo crucero o estable ENCENDIDO). Cuando la luz esté parpadeando, conectar momentáneamente el cable blanco a tierra durante  $>6$  S y  $<7$  S (la luz variará de estable alta a estable baja, a apagada, a estable alta, a estable baja, a apagada, a estable alta) y desconectar. El módulo LED se restablecerá a: Patrón=1, Tabla de funciones= 1, Cambio de colores= APAGADO, Simultánea.

## CABLE DE CONFIGURACIÓN DE BLOQUEO

Esta función desactivará el modo de configuración de escuchas telefónicas que se activa manteniendo el cable blanco a tierra. El bloqueo se activa aplicando tierra al cable blanco durante  $>7$  segundos y  $<8$  segundos según la tabla a continuación. La función se puede desactivar tocando el cable a tierra y soltándolo 8 veces en 5 segundos. La luz parpadeará 8 veces cuando la función esté habilitada o deshabilitada para notificar al usuario sobre un cambio de configuración.

**TABLA DE CONFIGURACIONES**

SEGUNDOS		INTERFAZ DEL USUARIO	
DE	A	INDICACIÓN VISUAL	ACCIÓN REALIZADA
0	1	ESTABLE ALTA (60 %)	AVANZAR UN PATRÓN
1	2	ESTABLE BAJA (30 %)	RETROCEDER UN PATRÓN
2	3	APAGADO	CAMBIO DE COLORES (APAGADO O ENCENDIDO)
3	4	ESTABLE ALTA (60 %)	TIPO DE SECUENCIA: SIMULTÁNEA O ALTERNATIVA
4	5	ESTABLE BAJA (30 %)	VER TABLA DE FUNCIONES
5	6	APAGADO	RESTABLECER AL PATRÓN 1
6	7	ESTABLE ALTA (60 %)	RESTABLECIMIENTO DE FÁBRICA (PATRÓN 1, CAMBIO DE COLORES: APAGADO, SIMULTÁNEA) CONTROL DE COLOR SEPARADO: APAGADO
7	8	CONSTANTE - BAJO (30%)	CABLE DE CONFIGURACIÓN BLANCO DE BLOQUEO

**Si se mantiene por más de 7 segundos, la luz volverá a parpadear en el patrón actual y no se realizará ninguna acción.**



**INSTRUCCIONES ELÉCTRICAS CONTINUACIÓN:****MODO REMOTO: PARA UTILIZAR CON EL SISTEMA bluePRINT ÚNICAMENTE****MODO REMOTO: PARA UTILIZAR CON EL SISTEMA bluePRINT ÚNICAMENTE**

La conexión del cable verde a tierra antes de aplicar potencia a los cables rojos o rojos/blancos colocará al módulo LED en modo remoto y el color de generación de luz será controlado directamente por los cables de entrada como se muestra a continuación.

<b>Funcionalidad del Modo remoto de la luz LED secundaria mpower®</b>							
<b>Cable rojo</b>	<b>Cable rojo/blanco</b>	<b>Color único</b>		<b>Color doble</b>		<b>Triple color</b>	
		<b>Cambio de colores= APAGADO</b>	<b>Cambio de colores= ENCENDIDO</b>	<b>Cambio de colores= APAGADO</b>	<b>Cambio de colores= ENCENDIDO</b>	<b>Cambio de colores= APAGADO</b>	<b>Cambio de colores= ENCENDIDO</b>
Modo crucero	-	Color Modo crucero 1		Color Modo crucero 1	Color Modo crucero 2	Color Modo crucero 1	Color Modo crucero 2
-	Modo crucero			Color Modo crucero 2	Color Modo crucero 1	Color Modo crucero 2	Color Modo crucero 1
Modo crucero	Modo crucero			Color Modo crucero 2	Color Modo crucero 1	Color Modo crucero 3	Color Modo crucero 3
Parpadeo	-	Color de Parpadeo 1		Color de Parpadeo 1	Color de Parpadeo 2	Color de Parpadeo 1	Color de Parpadeo 2
-	Parpadeo			Color de Parpadeo 2	Color de Parpadeo 1	Color de Parpadeo 2	Color de Parpadeo 1
Parpadeo	Parpadeo			Color de Parpadeo 2	Color de Parpadeo 1	Color de Parpadeo 3	Color de Parpadeo 3
Estable ENCENDIDO	-	Color de Estable ENCENDIDO 1		Color de Estable ENCENDIDO 1	Color de Estable ENCENDIDO 2	Color de Estable ENCENDIDO 1	Color de Estable ENCENDIDO 2
-	Estable ENCENDIDO			Color de Estable ENCENDIDO 2	Color de Estable ENCENDIDO 1	Color de Estable ENCENDIDO 2	Color de Estable ENCENDIDO 1
Estable ENCENDIDO	Estable ENCENDIDO			Color de Estable ENCENDIDO 2	Color de Estable ENCENDIDO 1	Color de Estable ENCENDIDO 3	Color de Estable ENCENDIDO 3
Modo crucero	Parpadeo			Color de Parpadeo 2/Color Modo crucero 1 durante el ciclo APAGADO de Parpadeo	Color de Parpadeo 1/Color Modo crucero 2 durante el ciclo APAGADO de Parpadeo		
Modo crucero	Estable ENCENDIDO			Color de Estable ENCENDIDO 2	Color de Estable ENCENDIDO 1		
Parpadeo	Estable ENCENDIDO			Color de Estable ENCENDIDO 2	Color de Estable ENCENDIDO 1		

**Modos de crucero y de bajo consumo**

Para el control en Modo crucero o Potencia baja del módulo LED, la señal a los cables de control debe ser de 100 +/- 2 Hz con el uso de las entradas del ciclo de funcionamiento enumeradas a continuación para producir la generación de luz.

<b>Ciclo de funcionamiento de Modo crucero (a 100 Hz)</b>	
<b>Entrada</b>	<b>Potencia de luz</b>
40 %	APAGADO
50 %	5 %
60 %	10 %

<b>Parpadeo de CC de potencia baja (a 100 Hz)</b>	
<b>Entrada</b>	<b>Potencia de luz</b>
70 %	30 %
80 %	40 %
90 %	50 %

# GARANTÍA Y PROCEDIMIENTO DE DEVOLUCIÓN DE MERCANCÍA

## MENSAJES DE ADVERTENCIA - LEER:

**ADVERTENCIA** - ¡NO SE RECOMIENDA PERFORAR AGUJEROS EN EL MPOWER! EL RIESGO DE DAÑO A LOS COMPONENTES INTERNOS Y RESULTANTE DE UNA FALLA DE MPOWER ANULARÁ CUALQUIER GARANTÍA DE ESTE PRODUCTO.

**ADVERTENCIA** - SE DEBE TENER CUIDADO AL TALADRAR A TRAVÉS DEL VEHÍCULO PARA NO PERFORAR NINGÚN CABLEADO EXISTENTE Y COMPROBAR AMBOS LADOS DEL SERVICIO DE MONTURA ANTES DE TALADRAR. DESBARBAR LOS ORIFICIOS Y RETIRAR LOS FRAGMENTOS O RESTOS DE METAL. INSTALE PASAHILOS EN TODOS LOS ORIFICIOS DE PASO DE CABLES.

**ADVERTENCIA** - TIENDA LOS CABLES ÚNICAMENTE EN LUGARES QUE NO ESTÉN SOMETIDOS A DESGASTE POTENCIAL. ASEGÚRESE DE EVITAR EL TENDIDO DE CABLES EN LA ZONA DE DESPLIEGUE DE LAS BOLSAS DE AIRE. CONSULTE EL MANUAL DEL PROPIETARIO DE SU VEHÍCULO PARA CONOCER LAS ZONAS DE DESPLIEGUE DE LAS BOLSAS DE AIRE.

**ADVERTENCIA** : TODOS LOS CABLES DE ALIMENTACIÓN PROPORCIONADOS POR EL CLIENTE QUE SE CONECTEN AL TERMINAL POSITIVO (+) O NEGATIVO (-) DE LA BATERÍA O A LA CONEXIÓN A TIERRA LOCAL DEL CHASIS (-) DEBEN TENER UN CALIBRE QUE SUMINISTRE AL MENOS EL 125% DE LA CORRIENTE MÁXIMA Y ESTAR DEBIDAMENTE PROTEGIDOS EN LA FUENTE DE ALIMENTACIÓN CON UN FUSIBLE DE LA CAPACIDAD ADECUADA.

## PROCESO DE DEVOLUCIÓN EN GARANTÍA:



Escanee el código QR o visite <https://soundoffsignal.com/support-page/returns/>.

Si lo prefiere, póngase en contacto con su representante de ventas de SoundOff Signal, con el personal de atención al cliente o con nuestro departamento técnico (800.338.7337) para obtener un número de autorización de devolución de mercancía (RMA, por sus siglas en inglés).

La siguiente información es necesaria para la emisión del núm. de RMA:

- Motivo de la devolución del producto\*
- Dirección a la que debe enviarse el producto de sustitución\*
- Número de teléfono en el que se le puede localizar\*.
- Número de factura de SoundOff Signal con la que se adquirió el producto\*\*
- Número de pieza y de serie de SoundOff Signal\*\*.
- Dirección de correo electrónico a la que debe enviarse el número de RMA\*\*.
- Número de fax al que debe enviarse el número de RMA\*\*.

\* Sin esta información no se proporcionará el número de RMA.

\*\* Si dispone de ella, facilite esta información.

SoundOff Signal NO aceptará devoluciones sin un número de RMA. Cada número de RMA solo es válido para una (1) devolución y caducará (30) días después de su fecha de emisión. Los productos deben reenviarse a SoundOff Signal y el número de RMA debe estar claramente marcado en el exterior del paquete cerca de la etiqueta de envío. Utilice la siguiente dirección en la etiqueta de envío:

SoundOff Signal  
Atención: Núm. RMA / Servicio Técnico  
3900 Central Parkway  
Hudsonville, MI 49426

## EXCLUSIONES DE LA GARANTÍA:

Los gastos de envío, manipulación, mano de obra y servicio no son reembolsables. SoundOff Signal no se hace responsable de los daños debidos a la instalación ni de los daños personales derivados del uso del producto de SoundOff Signal.

## PÉRDIDA DE LA GARANTÍA:

No se concederá la garantía si no se siguen estrictamente las normas de la Política y Procedimiento de Devolución en Garantía. Los daños físicos ocasionados por el abuso por parte del cliente anularán la garantía. La garantía también quedará anulada si se retira, altera o manipula cualquier etiqueta de serie de SoundOff Signal y/o del fabricante, adhesivos del producto, sellos o similares. SoundOff Signal no se hace responsable de los productos devueltos que resulten dañados durante el envío a través del procedimiento de número de RMA.

La fecha de entrada en vigor del documento, que figura más adelante y en la portada, sustituye a las pólizas y declaraciones con fechas anteriores.

No se otorga ninguna otra garantía, expresa o implícita, incluyendo, de manera enunciativa mas no limitativa, cualquier comerciabilidad implícita o idoneidad para un uso particular. SoundOff Signal se reserva el derecho a modificar la presente declaración de garantía en cualquier momento; o a interrumpir, modificar o actualizar con mejoras de diseño cualquier producto de su fabricación sin previo aviso.