

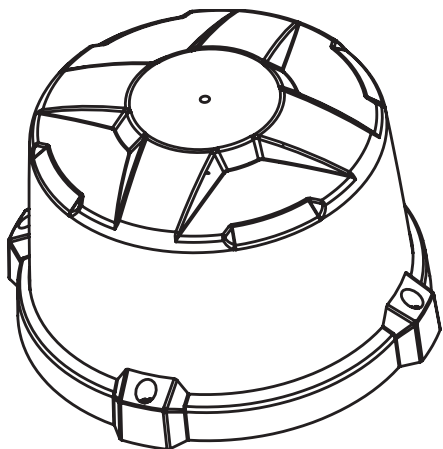
nROADS®

BEACON HIGH DOME

MAGNET MOUNT - ENRBCSHM(x)1(x)Z(xxx)
COMBO: FLAT/PIPE MOUNT - ENRBCSHC(x)1(x)Z(xxx)

LOW DOME

MAGNET MOUNT - ENRBCSLM(x)1(x)Z(xx)
COMBO: FLAT/PIPE MOUNT - ENRBCSLC(x)1(x)Z(xxx)



⚠ WARNING

- HIGH CURRENT interconnects must be properly terminated. Poor crimp quality can cause heat build-up and fire. Follow crimp connector manufacturer instructions.
- DO NOT install this product or route any wires in the Air Bag Deployment Zone. Refer to vehicle Owner's Manual for deployment zones.
- Do NOT use system to disconnect headlights, brake lights or other safety equipment.
- Unit may become hot to touch during normal operation.
- Failure to properly install connectors, fuses or wiring may cause vehicle failure or fire.
- Installation must only be performed by trained technician. Installer must determine vehicle wiring configuration and proper integration of system.
- Use proper wire gauge. All power wires connecting to positive (+) or negative (-) battery terminal or local chassis ground (-) must be sized to supply at least 125% of max. current and properly fused at power source.
- Install protective grommets when routing wire through firewall or metal.

NOTICE:

Installers and users must comply with all applicable federal, state and local laws regarding use and installation of warning devices.

Improper use or installation may void warranty coverage.

To review our Limited Warranty Statement & Return Policy for this or any SoundOff Signal product, visit our website at www.soundoffsignal.com/tech-services/returns/.

*If you have questions regarding this product, contact **Technical Services**, Monday - Friday, 8 a.m. to 5 p.m. ET at 1.800.338.7337 (press #4).*

Questions or comments that do not require immediate attention may be emailed to techservices@soundoffsignal.com.

TECHNICAL SPECIFICATIONS

Dimensions:	Low Dome: 3.6" (9.25cm)H x 8.6" (21.8cm) D High Dome: 5.3" (13.4 cm) H x 8.6" (21.8 cm) D
Input Voltage:	16-32Vdc
Standby Current:	<0.0001 Amps after 10 seconds of no active control inputs
Reverse Polarity Protection:	Yes
Electrical Transient Protection:	ISO7637-2
Wiring:	Approx. 18" length. Type TXL 4x 16AWG Power/ Ground, 6x 20AWG Control

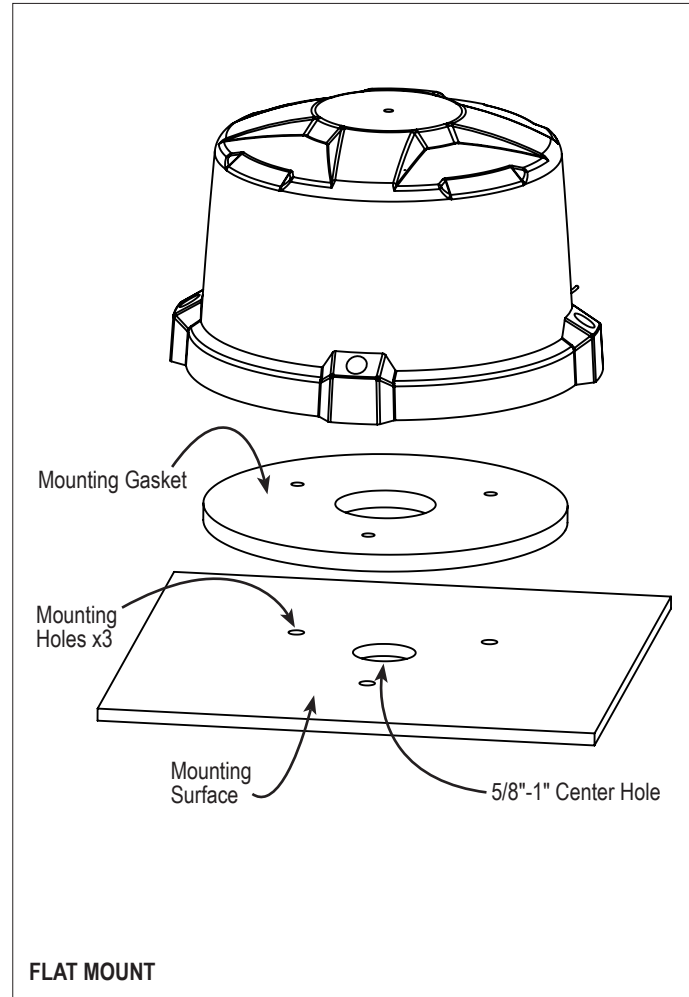
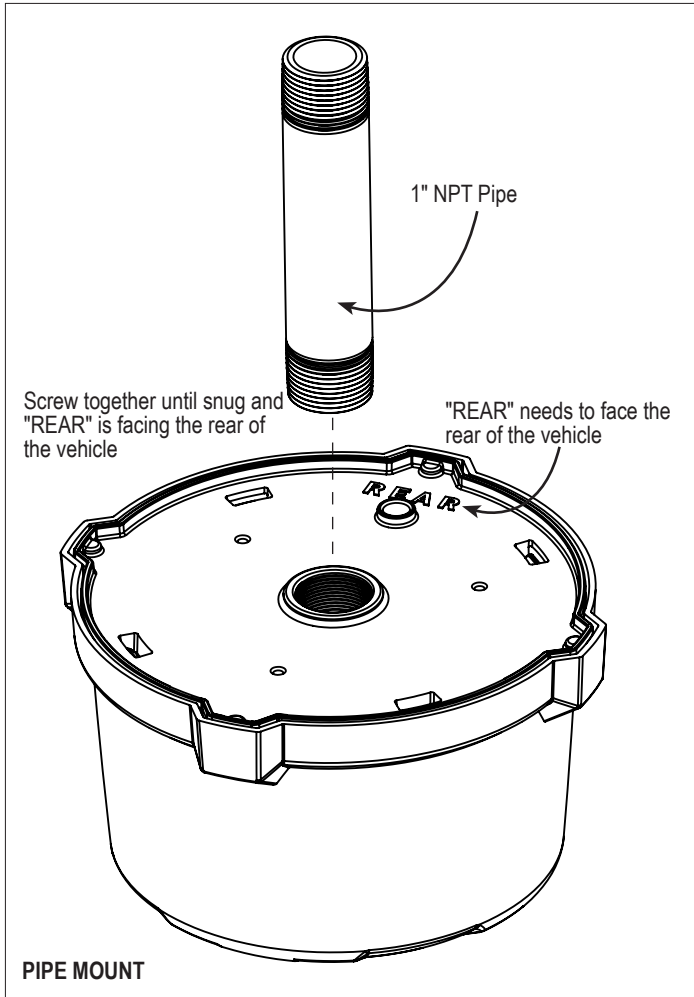
CURRENT CONSUMPTION

MODULE CONFIGURATION	LED COLOR	INPUT VOLTAGE RANGE	CURRENT DRAW (MAXIMUM)	WATTS FLASHING @ 12.8Vdc
3 LED Single Color 6 LED Single Color 12 LED Dual Color 18 LED Tri Color	Amber Blue Green White	16-32Vdc	0.5 Amps	5.8 Watts
	Red	16-32Vdc	0.3 Amps	4.2 Watts
9 LED Dual Color	Amber Blue Green White	16-32Vdc	0.7 Amps	8.8 Watts
	Red	16-32Vdc	0.5 Amps	6.3 Watts
12 LED Single Color	Amber Blue Green White	16-32Vdc	0.9 Amps	8.3 Watts
	Red	16-32Vdc	0.7 Amps	8.3 Watts

⚠ WARNING

This product contains high intensity LED devices. To prevent eye damage, DO NOT stare into the light beam at close range.

Please see pages 2-4 for Mounting Instructions



nROADS Mounting Instructions

Flat Mount:

1. Using the supplied gasket, mark the center hole and three mounting holes on the surface the beacon will be mounted to (SEE **PAGE 3** FOR MOUNTING TEMPLATE REFERENCE).
2. Drill your holes.
 - a. The center hole should be large enough for the wires to pass, between 5/8" and 1".
 - b. The 3 mounting holes should be drilled for clearance for #10 bolts (1/4").
3. Using #10-32 bolts of suitable length (installer supplied) secure the beacon to the mounting surface making sure the gasket is between the beacon and the mounting surface. (SoundOff Signal recommends using flat washers and lock washers to secure the beacon to your mounting surface).

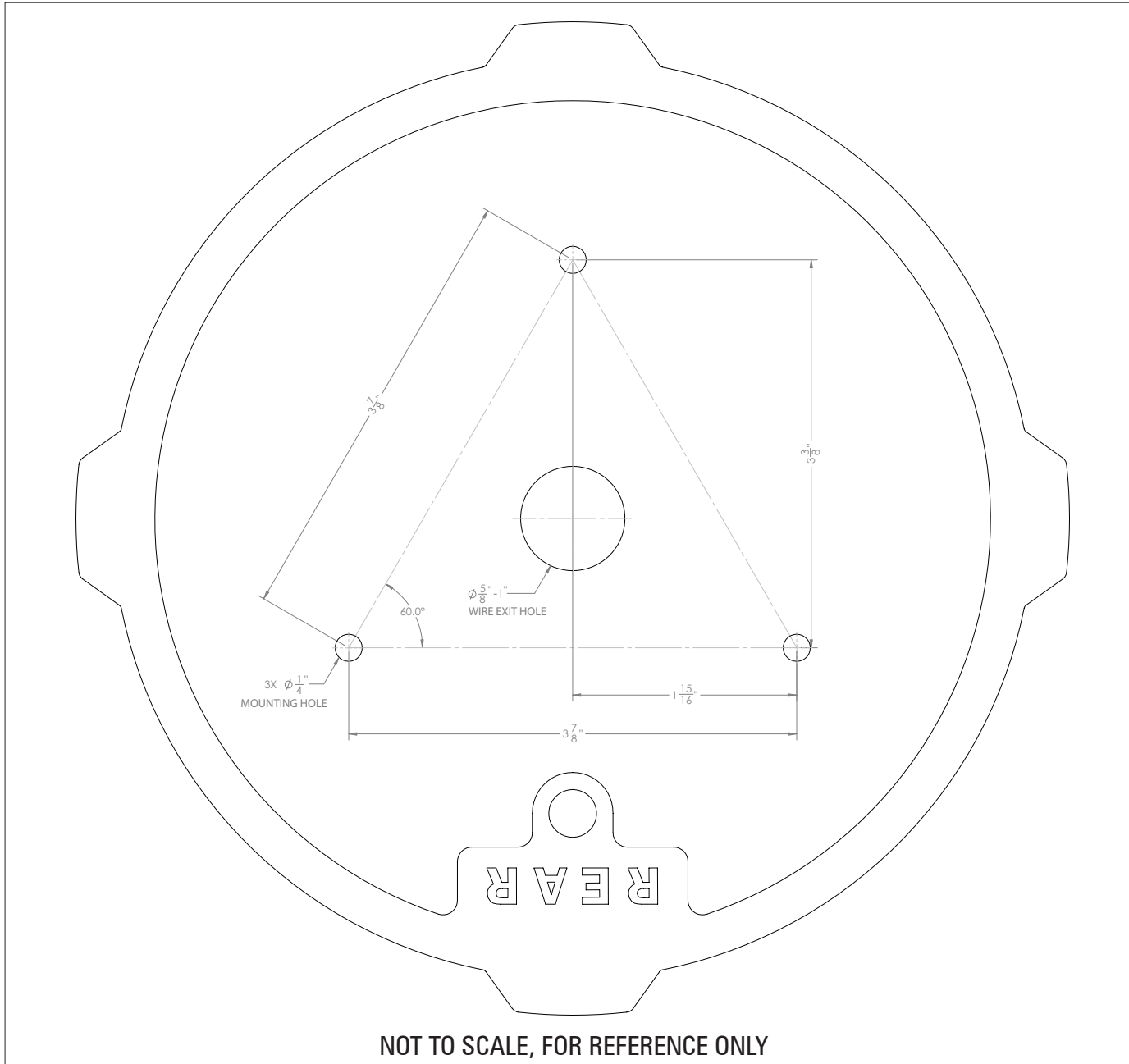
Pipe Mount:

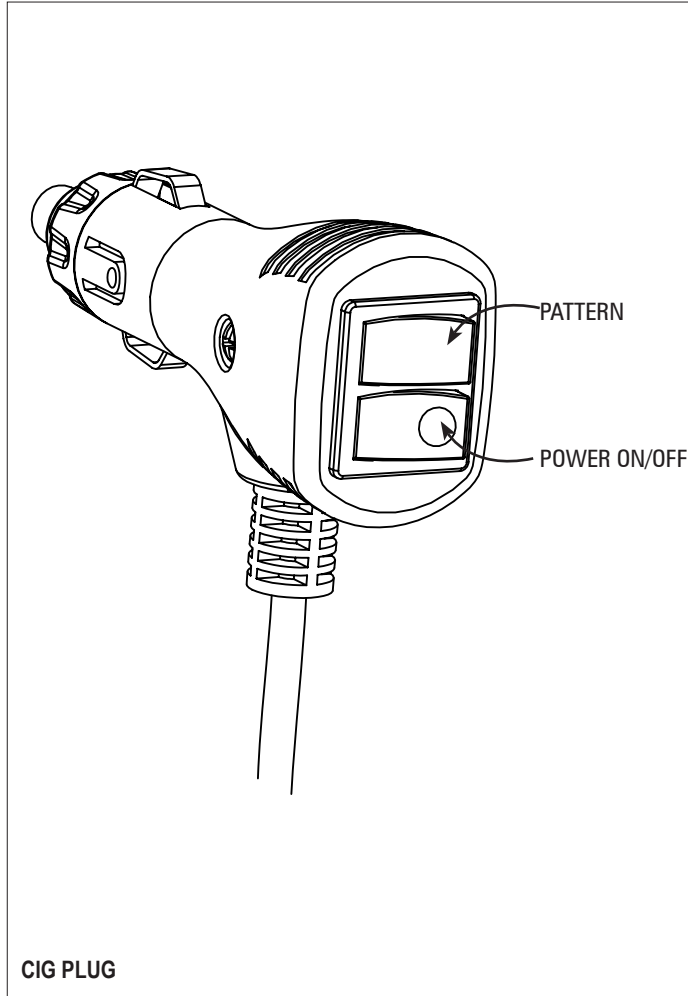
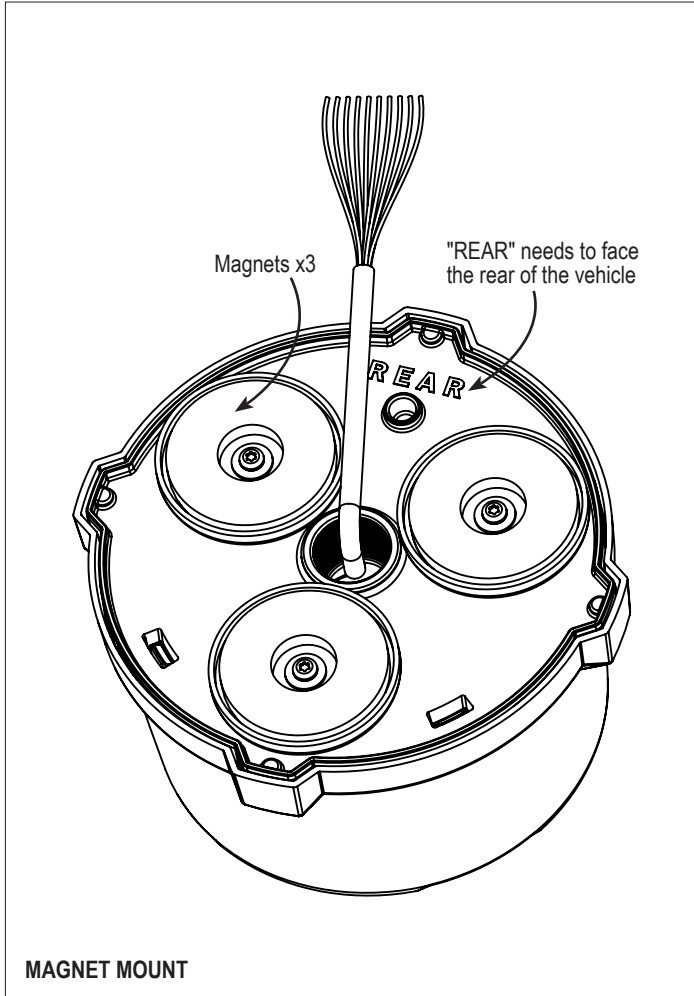
1. The beacon is pre-threaded to fit a 1" NPT pipe.
2. Insert wires into the pipe making connections you wish to use.
3. Screw the beacon on the pipe until snug.
4. The aluminum base is marked "REAR". Rotate the beacon until the "REAR" is facing the back of the vehicle. This is important for specific light modes.

nROADS Mounting Instructions

Flat Mount:

1. Use image on the left for mounting hole reference.





nROADS Mounting Instructions

Magnet Mount:

1. Locate surface where beacon will be mounted.
2. Place beacon with the "REAR" facing the rear of the vehicle. This is important for specific modes.

Cig Plug Operation:

1. See Cig Plug diagram at left for POWER ON/OFF and PATTERN switch locations.
2. Turn beacon ON by pressing the POWER ON/OFF switch to the ON position.
3. With beacon ON, press and hold PATTERN switch for 1 second until you see the beacon flash the new pattern and release.
4. Holding the PATTERN switch for >5 seconds while the beacon is ON will reset the beacon to pattern #0.

ELECTRICAL INSTALLATION (applies to permanent mounting options only)

Power Wires:

1. Route customer supplied power and ground cables which are properly sized for the current consumption of the beacon (rated for a minimum of 125% above maximum current draw) between the power source (battery) and the beacon power and ground cables.
2. Install a maximum of 20Amp Fuse (customer supplied) to the end of the power cables as close to the power source (battery) as possible.
 - a. Remove the fuse before connecting any wires to the battery.
 - b. DO NOT USE CIRCUIT BREAKER OR FUSIBLE LINK.
3. Connect the other end of the Fuse to the POSITIVE (+) terminal of the battery.
 - a. Do NOT use any more than 2ft of wire between the battery terminal and the fuse and ensure the wire is protected and secured from being cut into; this is non-fused wire.
4. Connect the BLACK wire to the factory chassis ground right next to the battery and the the ground cables of the beacon.

Control Wires (Blue, Orange, Yellow & Pink):

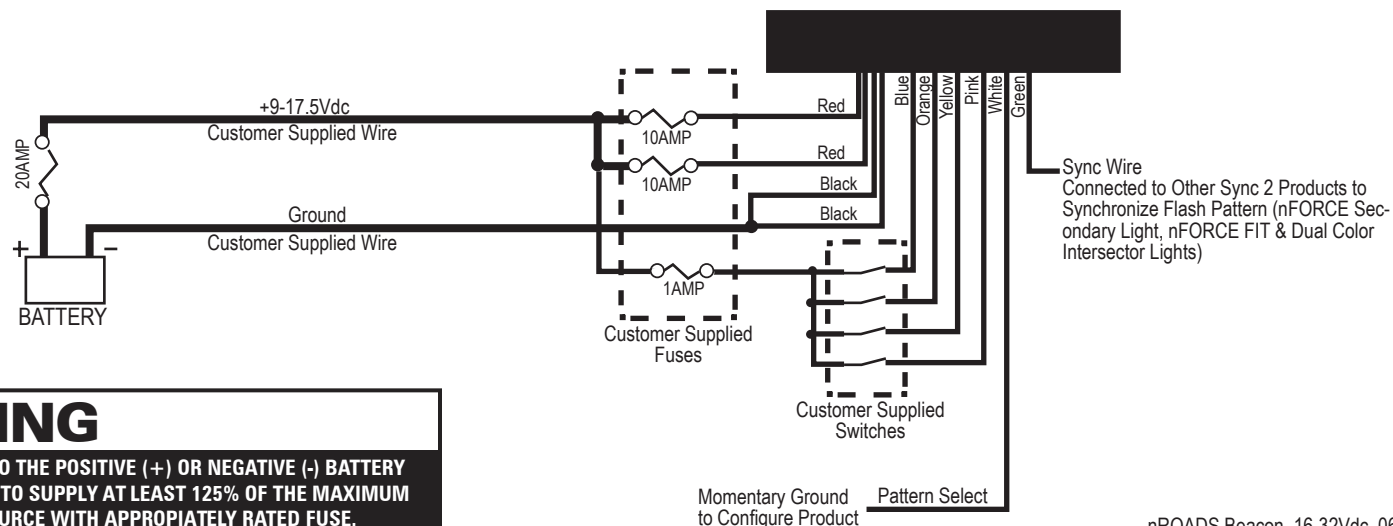
1. Route customer supplied wires between switch panel and the Blue, Orange, Yellow, and/or Pink wires. Use 20AWG type TXL wire as required to extend the length of the wires to reach the customer supplied switches.
2. The +12V supply to the control wires must be over-current protected to protect the wires and product against the possibility of a short circuit. A 1 amp fuse will be sufficient since the control wire inputs require less than 10mA per input to activate.

Synch Wire (Green):

1. Connect the green wire to other Sync2 compatible products (nFORCE Secondary Light, nFORCE FIT & Dual Color Intersector Lights) which are on the vehicle and need to synchronize the flash pattern. All product with the green wires connected must be operating the same flash pattern otherwise incorrect flash pattern timing will occur.
2. If synchronized flash patterns to other product are not required, blunt cut and tape the end of the green wire to ensure the wire is protected from being unintentionally grounded while in service.

Pattern Select/Configuration Wire (White):

1. Applying a momentary ground on the white wire will configure the product. Refer to the production configuration section of the installation instructions for setup.
2. Once product is configured, blunt cut and tape the end of the white wire to ensure the wire is protected from being unintentionally grounded while in service and changing the configuration.



WARNING

ALL CUSTOMER SUPPLIED POWER WIRES CONNECTING TO THE POSITIVE (+) OR NEGATIVE (-) BATTERY TERMINAL OR LOCAL CHASIS GROUND (-) MUST BE SIZED TO SUPPLY AT LEAST 125% OF THE MAXIMUM CURRENT AND PROPERLY FUSED AT THE POWER SOURCE WITH APPROPRIATELY RATED FUSE.

nROADS[®]

ELECTRICAL INSTALLATION (CONTINUED)

Product Configuration:

1. The four control wires (blue, orange, yellow and pink) can each be assigned a function from the flash pattern table, which include:
 - a. Output a pattern,
 - b. Enable a scene (where lights are steady on),
 - c. Enable cruise mode (lights are on dimly), or
 - d. Set lightbar to reduced power (night) mode.
2. Functionality is assigned to the control wires by applying +12V supply to the control wire and then grounding the white wire for a specific amount of time.
 - a. To advance the next function in the list, tap the white wire to ground for < 1 second.
 - b. To go back one function in the list, hold the white wire to ground for >1 second and < 2 seconds.
 - c. To set the wire functionality to the default value, hold the white wire to ground >1 second and < 3 seconds.
 - d. If pattern is changed, the pattern number will flash on the left and right corner modules with "10s" flashed on the left side and "1s" flashed on the right side.
 - e. For beacons with more than one color, hold the white wire to ground for >3 seconds to set the color(s) used with the active control wire.
3. For beacons with multiple colors, the color(s) used for each control wire is set by grounding the white wire while applying +12V to the desired control wire for > 3 seconds.
 - a. After 3 seconds, each color will turn on for 1 second. Release the white wire during this time to set the control wire function to the displayed color.
 - b. Once all colors have been displayed, color combinations will light such that the 2 colors will alternate (½ second color 1 and ½ second color 2) for 3 times, followed by ½ second off. Release the white wire during this time to set the control wire function to the 2 flashing colors.
4. The control board obtains information about the attached modules through a learning procedure that is performed in the factory. If the hardware is changed to modules of different types (e.g. colors are changed), the learning process will need to be repeated.
 - a. If device is a beacon, ensure DIP Switch 2 is ON. If Light bar it should be OFF.
 - b. To enable sync2 ensure DIP Switch 3 is ON. To disable sync2 ensure DIP Switch 3 is OFF.
 - c. Move the DIP Switch 1 from OFF to ON and back to OFF to start the learning process.
 - d. After approximately 2 seconds (during which time the lights may flicker briefly), all lights of each color will turn on for 2 seconds each. Observe the modules to make sure they are the proper color.
 - e. After performing the learning process a color will need to be set to each activation wire. To do this follow instructions on page 5 section 3. Perform this function for all activation wires that will be used.

Operating Modes:

1. **Flash Pattern**
Light modules will flash with selected pattern. If multiple control wires are set to output a pattern are active simultaneously the wire with the highest priority will be active (Pink > Yellow > Orange > Blue).
2. **Scene**
Modules for scene will stay on continuously. If only some light modules are used for the scene then a flash pattern can be active on other light modules.
3. **Cruise**
Selected modules will stay on continuously at a dim value. Patterns and Scenes will take priority over a cruise function if both are active.
4. **Low Power**
If a low power functionality is enabled along with a pattern or scene, the pattern or scene will be active at a lower light output level.
5. **Sleep**
If no input is active, the device will enter a low power sleep mode.

WARNING

Route wires only in locations that are not subjected to potential wear. Make sure to avoid routing wires in the deployment area of your air bag. Refer to your vehicle's owner's manual for airbag deployment zone.

IMPORTANT

WHEN PASSING CABLES THROUGH FIREWALL OR OTHER SHEETMETAL, INSERT GROMMET TO PROTECT THE CABLE!



*fpm=Flashes per Minute

**fps=Flashes per Second

FLASH PATTERNS

#	Name	SAE Compliant	Sequence	fpm	fps	nROADS to nROADS Compatible	Sync2 Compatible
0	RandomAction 1	Yes	Variable	-	-	Yes	n/a
1	RandomAction 2		Variable	-	-	Yes	n/a
2	RandomAction 3 (Blue wire/Cig Plug default)		Variable	-	-	LED Module Count Dependent	n/a
3	RandomAction 4 (Orange wire default)		Variable	-	-	LED Module Count Dependent	n/a
4	Rotate 250	Yes	Rotating	-	-	LED Module Count Dependent	n/a
5	Rotate 125	Yes	Rotating	-	-	LED Module Count Dependent	n/a
6	Race 200 (Rotate w/ Chaser)	Yes	Rotating	-	-	LED Module Count Dependent	n/a
7	Race 125	Yes	Rotating	-	-	LED Module Count Dependent	n/a
8	Race 100	Yes	Rotating	-	-	LED Module Count Dependent	n/a
9	Race 200 w/ TripplePop		Variable	-	-	LED Module Count Dependent	n/a
10	Cross-Fire		2X Individual Sweep	-	-	LED Module Count Dependent	n/a
11	Super Scan		Dual Rate Pulse/Alt	-	-	LED Module Count Dependent	n/a
12	Power Flash		Dual Rate Alt/Pulse	-	-	Yes	n/a
13	Thunder and Lightning		Random	-	-	Yes	n/a
14	8TriplePop	Yes	Sim	-	3.7, 1.5	Yes	n/a
15	Quint	Yes	Alt L/R	67	1.1	Yes	Yes
16	Quint	Yes	Sim	67	1.1	Yes	Yes
17	Quint	Yes	Alt ² /Sim	67	1.1	Yes	Yes
18	Quad2	Yes	Alt L/R	67	1.1	Yes	Yes
19	Quad2	Yes	Sim	67	1.1	Yes	Yes
20	Quad2	Yes	Alt ² /Sim	67	1.1	Yes	Yes
21	Q-Switch™		Variable		-	Yes	Yes



FLASH PATTERNS CONTINUED

*fpm=Flashes per Minute

**fps=Flashes per Second

#	Name	SAE Compliant	Sequence	fpm	fps	nROADS to nROADS Compatible	Sync2 Compatible
22	Double	Yes	Alt L/R	115	1.9	Yes	n/a
23	Double	Yes	Sim	115	1.9	Yes	n/a
24	Double	Yes	Alt ² /Sim	115	1.9	Yes	n/a
25	Power Pulse	Yes	Alt L/R	188	3.1	Yes	Yes
26	Power Pulse	Yes	Sim	188	3.1	Yes	Yes
27	Power Pulse	Yes	Alt ² /Sim	188	3.1	Yes	Yes
28	Road Runner	Yes	Alt L/R	115	1.9	Yes	Yes
29	Road Runner	Yes	Sim	115	1.9	Yes	Yes
30	Road Runner	Yes	Alt ² /Sim	115	1.9	Yes	Yes
31	Slow Runner	Yes	Alt L/R	70	1.2	Yes	n/a
32	Slow Runner	Yes	Sim	70	1.2	Yes	n/a
33	Slow Runner	Yes	Alt/Sim	70	1.2	Yes	n/a
34	Warp		Alt L/R	333	5.6	Yes	Yes
35	Warp		Sim	333	5.6	Yes	Yes
36	Warp		Alt ² /Sim	333	5.6	Yes	Yes
37	Intercycle		Alt L/R	67 & 333	1.1 & 5.6	Yes	Yes
38	Intercycle		Sim	67 & 333	1.1 & 5.6	Yes	Yes
39	Intercycle		Alt ² /Sim	67 & 333	1.1 & 5.6	Yes	Yes
40	Warp 1, 2, 3		Alt L/R	115-333	1.9 - 5.6	Yes	n/a
41	Warp 1, 2, 3		Sim	115-333	1.9 - 5.6	Yes	n/a
42	Warp 1, 2, 3		Alt ² /Sim	115-333	1.9 - 5.6	Yes	n/a
43	Recurrent		Sim	70	1.16	Yes	n/a
44	Quad Pulse-Pop		Sim	75	1.25	Yes	Yes
45-69	RESERVED FOR FUTURE						

FLASH PATTERNS CONTINUED

#	Name	SAE Compliant	Sequence	fpm	fps	nROADS to nROADS Compatible	Sync2 Compatible
70	All Cruise 3%		Cruise Mode Control (pattern overlay capable)			n/a	n/a
71	All Cruise 7% (Yellow wire default)		Cruise Mode Control (pattern overlay capable)			n/a	n/a
72	Left Scene			Scene Control		n/a	n/a
73	Right Scene			Scene Control		n/a	n/a
74	Front Scene			Scene Control		n/a	n/a
75	Rear Scene			Scene Control		n/a	n/a
76	All Scene			Scene Control		n/a	n/a
77	Low Power 30%			Low Power Mode Control (1 Wink)		n/a	n/a
78	Low Power 50% (Pink wire default)			Low Power Mode Control (2 Wink)		n/a	n/a
79*	Bottom Scene			Scene Control		n/a	n/a
80*	Top Scene			Scene Control		n/a	n/a

*High Dome Beacon Only

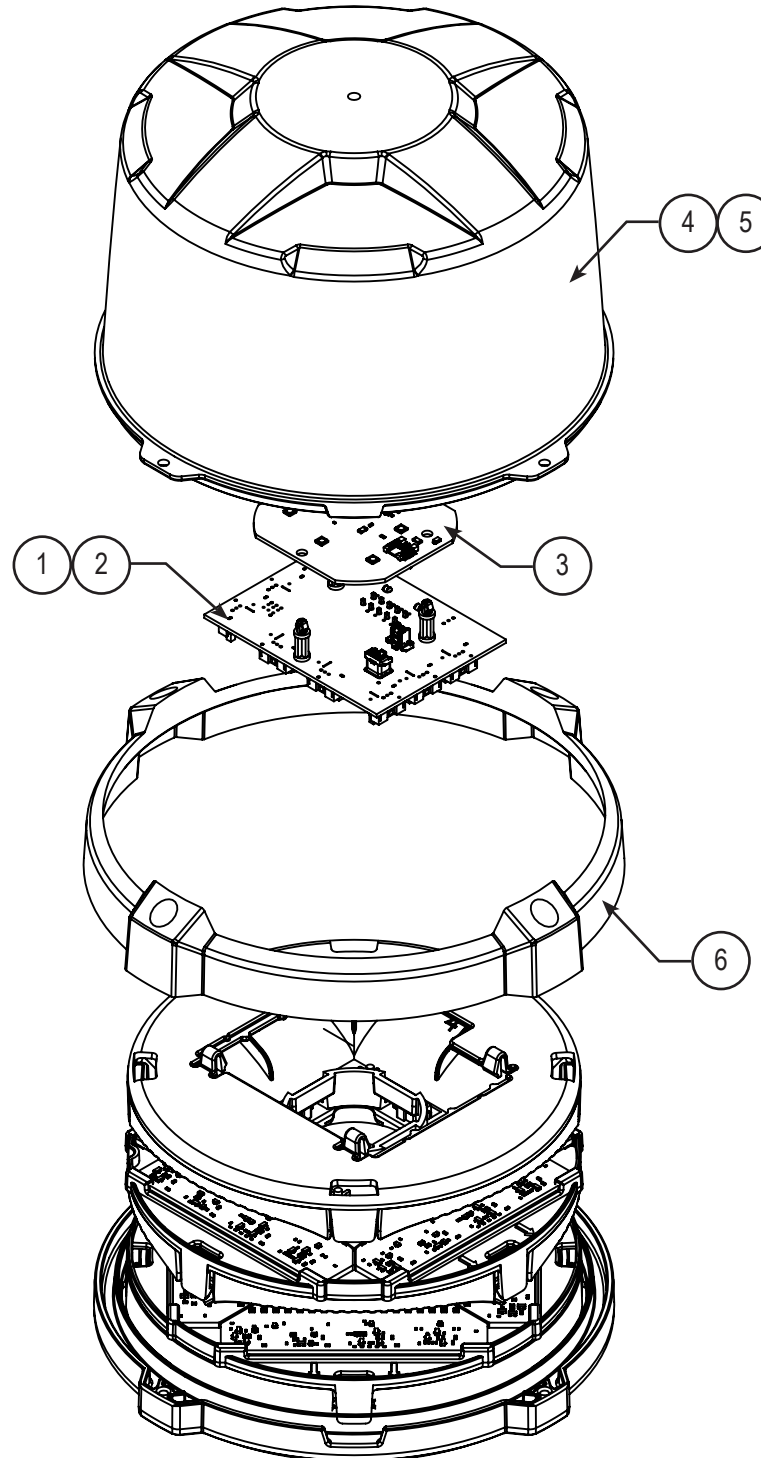
Sync2 Compatibility Chart (nFORCE Secondary, nFORCE FIT, Dual Color Intersector)				
PATTERN #	SINGLE COLOR	DUAL COLOR	TRI-COLOR	nROADS Compatible
1		QUINT		Yes
2		WARP		Yes
3		INTER-CYCLE		Yes
4		DOUBLE		-
5		QUAD		-
6		POWER PULSE		Yes
7		ROAD RUNNER		Yes
8		Q-SWITCH		Yes
9		STEADY-BURN / ROADRUNNER		Yes
10		STEADY-BURN DRIVER TITLE 13 QUAD		-
11		QUAD 2		-
12		DOUBLE 2		-
13		RANDOM 1		-
14		RANDOM 2		-
15		QUAD PULSE - POP		Yes

NOTE:

For Simultaneous or Alternating flash pattern, set the sequence type on the secondary product.

REPLACEMENT PARTS & ACCESSORIES

ITEM #	PART#	DESCRIPTION
1	PNRBCDRV2	DRIVER W/ CONNECTOR
2	PNRBCDRV1	DRIVER W/O CONNECTOR
3	PNRBCLUP6A	UPWARD LIGHT ENGINE
3	PNRBCLUP6B	UPWARD LIGHT ENGINE
3	PNRBCLUP6G	UPWARD LIGHT ENGINE
3	PNRBCLUP6R	UPWARD LIGHT ENGINE
3	PNRBCLUP6W	UPWARD LIGHT ENGINE
4	PNRBCDMHA	AMBER HIGH DOME
5	PNRBCDMHC	CLEAR HIGH DOME
6	PNRBCDRNGB	BLACK DRESS RING
	PNRBCHNJP1	UPWARD LED JUMPER HARNESS
	PNRLBHNP1	CIG PLUG POWER HARNESS
	PNRLBHNP2	DIRECT CONNECT POWER HARNESS





nROADS TROUBLESHOOTING

Normal Operation

Under normal operation the Beacon will Flash when a combination of the four control inputs are connected to +Vdc. The Beacon is OFF and in a low power Standby Mode after 10 seconds of no active control inputs.

No Operation

No Power; Check Red main Power feeds have a solid connection with +Vdc present on the wire post fuse. A minimum of +9Vdc is required. Replace fuse if necessary.

Verify Red main Power feeds have not exceeded voltage cutoff threshold of +17.5Vdc. Lower voltage to regain operation.

Check Black main Ground feeds have a solid and low resistance connection to ground.

No Lights; Verify at least one of the four control inputs is present with +Vdc.

Verify pattern is able to advance and control wire is not set to a Low power mode, pattern 50-51. (Blue wire default)

Perform product configuration (pg. 5).

No or Incorrect Warning Light Flash

No operation; Verify correct Control Input wire is present with +Vdc.

Verify pattern is able to advance and control wire is not set to a Low power mode, pattern 50-51. (Blue wire default)

Perform product configuration (pg. 5).

Incorrect/Undesired operation; Check that another control input is not active which has Flash priority over current control input. (pg. 4).

Low Power and Scene Light override flashing mode regardless of wire priority. Remove Low Power or Scene light control input.

No or Incorrect Scene Lights

No Lights; Verify correct Control Input wire is present with +Vdc.

Verify pattern is able to advance and control wire is set to pattern 45-49.

Perform product configuration (pg. 5).

Incorrect/Undesired operation; Check that another control input does not have an active Scene with priority over current control input. (pg. 4). Low Power overrides Scene Light wire priority. Remove Low Power control input.

No or Incorrect Synchronization

No or Incorrect syncing; Verify green wires are connected between all required Sync 2 products.

Verify Flash patterns are set to the same one. Patterns 12-42 are sync capable with all Sync2 product.

Depending on led module count, Random and rotating patterns (0-11) may not sync correctly between products (ex. Mini-Lightbar & Dual Stack Beacon). Scene, Cruise or Low Power are not sync capable.

Erratic Flash Verify Flash patterns are set to the same one.

Check that the green and/or white wire is not being intermittently shorted to ground. Securely seal all connections.



WARRANTY RETURN PROCESS:

Please contact your SoundOff Signal Sales Representative, Customer Services staff or our Technical Department (800.338.7337 option #4) for a RMA #, Return Merchandise Authorization Number.

The following information is required for issuance of the RMA #:

- Reason for returning the product*
- Address where replacement product is to be shipped*
- Telephone number where you may be reached*
- SoundOff Signal invoice number on which product was purchased**
- SoundOff Signal part number and serial number**
- E-mail address where RMA # should be e-mailed**
- Fax number where RMA # should be faxed**

* RMA # will not be given without this information.

** If available, please provide this information.

SoundOff Signal will NOT accept returns without an RMA#. Each RMA # is good for only one (1) return and will expire (30) days after the date it was issued. Products must be shipped back to SoundOff Signal and the RMA # clearly marked on the outside of the package near the shipping label. Please use the following address on your shipping label:

SoundOff Signal
ATTN: RMA # / Technical Services
3900 Central Parkway
Hudsonville, MI 49426

WARRANTY EXCLUSIONS:

Shipping & Handling, labor and service fees are non-refundable. SoundOff Signal is not liable for any damage due to installation or personal injury as a result of using SoundOff Signal product.

WARRANTY FORFEITURE:

Warranty will not be granted if the Warranty Return Policy & Procedure rules are not strictly followed. Physical damage resulting from customer abuse will void warranty. Warranty will also be voided if any SoundOff Signal and/or manufacturer serial tags, product stickers, seals, or the like, are removed, altered or tampered with. Returned product that is damaged by shipping via the RMA # procedure is not the responsibility of SoundOff Signal.

Document effective date on cover and below supersedes previously dated policies and statements.

There are no other warranties, expressed or implied, including, but not limited to, any implied merchantability or fitness for a particular use. SoundOff Signal reserves the right to modify this warranty statement at any time; or to discontinue, modify, or upgrade any products of its manufacture with design improvements without prior notice.

nROADS®

BALIZA DOMO ALTA

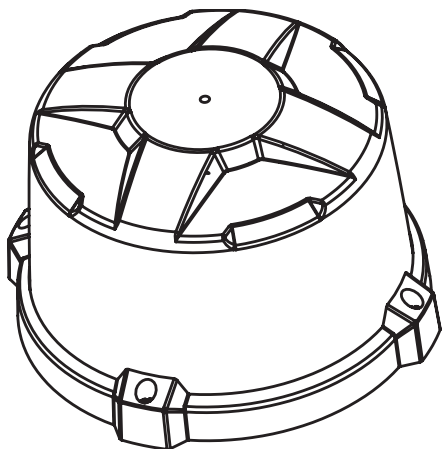
MONTAJE MAGNÉTICO - ENRBCSHM(x)1(x)Z(xxx)

COMBO: MONTAJE PLANO/EN TUBO - ENRBCSHC(x)1(x)Z(xxx)

DOMO BAJA

MONTAJE MAGNÉTICO - ENRBCSLM(x)1(x)Z(xx)

COMBO: MONTAJE PLANO/EN TUBO - ENRBCSLC(x)1(x)Z(xxx)



⚠ ADVERTENCIA

- ALTA CORRIENTE: las interconexiones deben estar debidamente terminadas. La calidad deficiente del engarzado puede causar la acumulación de calor e incendios. Siga las instrucciones del fabricante para el conector de engarzado.
- NO instale este producto ni trace ningún cableado en la zona de despliegue de la bolsa de aire. Consulte el manual del propietario del vehículo para obtener información acerca de las zonas de despliegue.
- NO utilice el sistema para desconectar los faros delanteros, las luces de freno u otros equipos de seguridad.
- Durante el funcionamiento normal la unidad podría estar caliente al tacto.
- La instalación incorrecta de los conectores, fusibles o cableado podría causar la falla o el incendio del vehículo.
- La instalación debe ser realizada únicamente por un técnico capacitado. El instalador debe determinar la configuración del cableado del vehículo y la integración adecuada del sistema.
- Utilice un calibrador de cables adecuado. Todos los cables de alimentación conectados a un terminal de batería positivo (+) o negativo (-) o a la masa del chasis local (-) deben tener la dimensión adecuada para suministrar al menos 125 % de la corriente máxima y deben estar correctamente unidos con fusible a la fuente de energía.
- Instalar arandelas protectoras cuando se trace el cableado a través del cortafuego o metal.

**SoundOff
Signal**

1.800.338.7337 / www.soundoffsignal.com

AVISO:
Los instaladores y usuarios deben cumplir todas las leyes federales, estatales y locales con respecto al uso y la instalación de dispositivos de advertencia.
El uso o la instalación incorrecta podrían anular la cobertura de la garantía. Para revisar nuestra Declaración de garantía limitada y Política de devolución para este o cualquier producto de SoundOff Signal, visite nuestro sitio web www.soundoffsignal.com/sales-support. Si tiene alguna consulta con respecto a este producto, comuníquese con Servicios técnicos de lunes a viernes de 8 a. m. a 5 p. m. al 1.800.338.7337 (presione el n.º 4 para pasar el mensaje automático). Las preguntas o comentarios que no requieren una atención inmediata pueden enviarse por correo electrónico a techservices@soundoffsignal.com.

ESPECIFICACIONES TÉCNICAS

Dimensiones:	Cúpula baja: 9,25 cm (3,6") alto x 21,8 cm (8,6") profundidad Cúpula alta: 13,4 cm (5,3") alto x 21,8 cm (8,6") profundidad
Voltaje de entrada:	9-17,5 V CC
Corriente de reserva:	<0,0001 amp después de 10 segundos sin entradas de control activo
Protección de polaridad inversa:	Sí
Protección transitoria eléctrica:	ISO7637-2 para sistemas de 12 V
Cableado:	Aprox. 45 cm (18") de longitud. Tipo TXL 4x 16 AWG potencia/tierra, 6x 20 AWG control

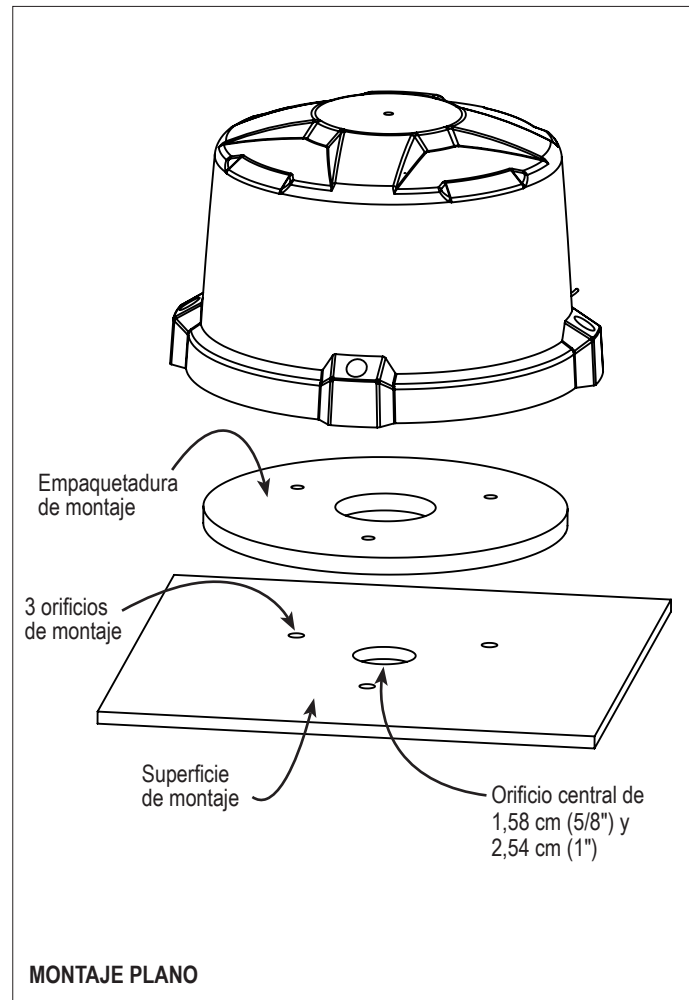
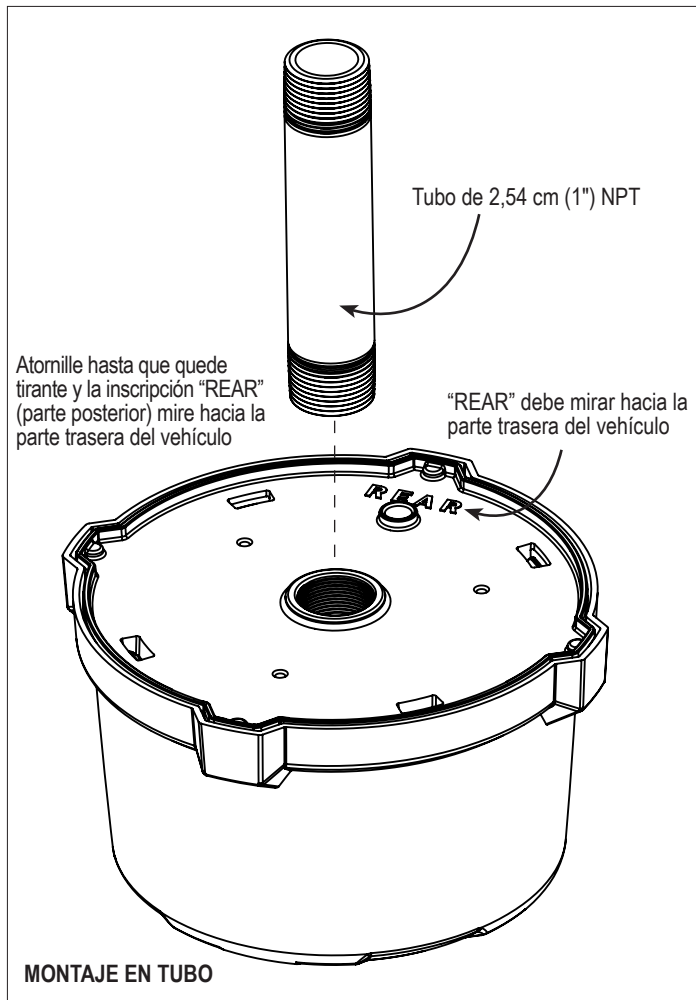
CURRENT CONSUMPTION

MODULE CONFIGURATION	LED COLOR	RANGO DE TENSIÓN DE ENTRADA	CONSUMO DE CORRIENTE (MÁXIMO)	INTERMITENCIA DE WATTS A 12,8 V CC
3 LED color único 6 LED color único 12 LED color doble 18 LED tres colores	Ámbar Azul Verde Blanco	16-32Vdc	0.5 Amps	5.8 Watts
	Rojo	16-32Vdc	0.3 Amps	4.2 Watts
9 LED color doble	Ámbar Azul Verde Blanco	16-32Vdc	0.7 Amps	8.8 Watts
	Rojo	16-32Vdc	0.5 Amps	6.3 Watts
12 LED color único	Amber Blue Green White	16-32Vdc	0.9 Amps	8.3 Watts
	Red	16-32Vdc	0.7 Amps	8.3 Watts

⚠ ADVERTENCIA

Este producto contiene dispositivos LED de alta intensidad. Para prevenir el daño ocular, NO mirar directamente al rayo de luz a corta distancia.

Consulte las páginas 2-3 para obtener instrucciones de montaje



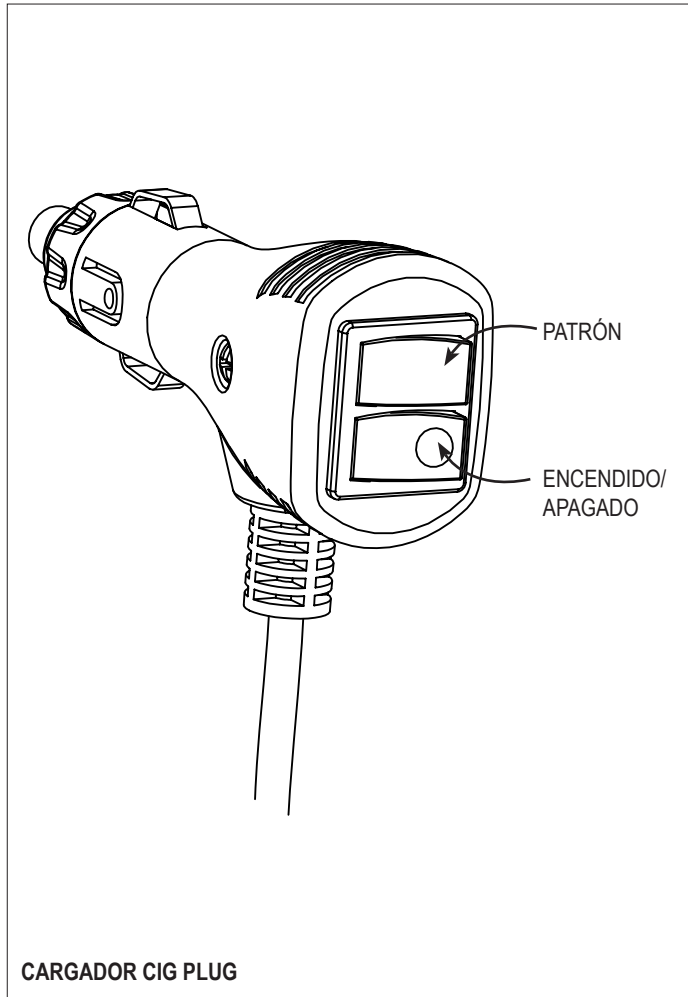
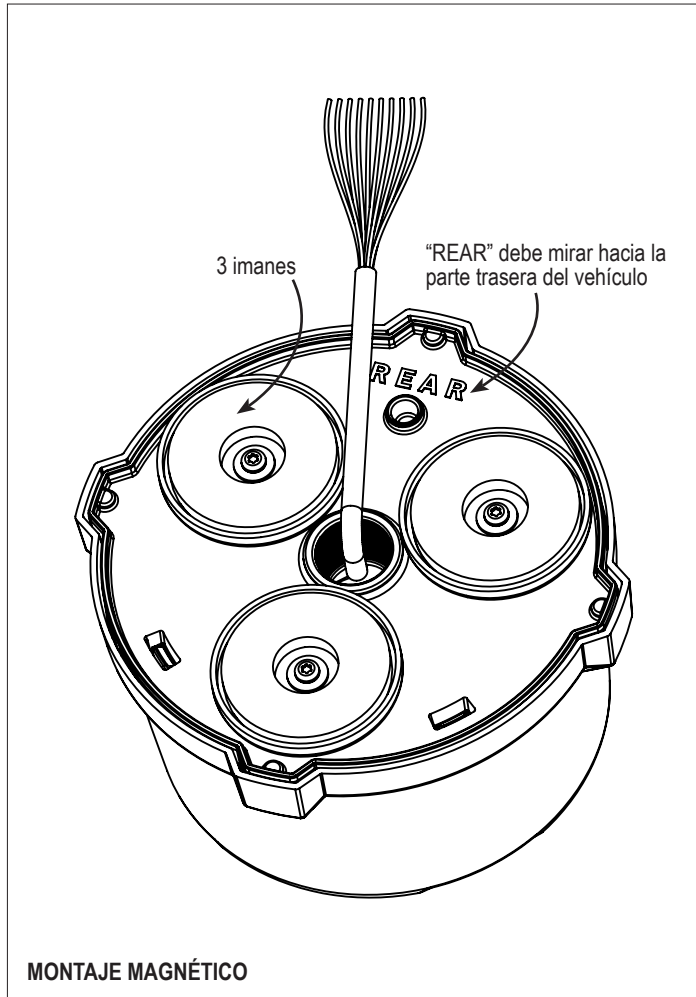
Instrucciones de montaje nROADS

Montaje plano:

1. Con la empaquetadura suministrada, marque el orificio central y tres orificios de montaje en la superficie sobre la que se montará la baliza.
2. Perfore los orificios.
 - a. El orificio central debería tener la longitud suficiente para que pasen los cables, entre 1,58 cm (5/8") y 2,54 cm (1").
 - b. Los 3 orificios de montaje se deben perforar para obtener un espacio para pernos n.º 10 (0,63 cm [1/4"]).
3. Mediante el uso de pernos n.º 10-32 de longitud adecuada (suministrados por el instalador), asegure la baliza a la superficie de montaje y asegúrese de que la empaquetadura se encuentre entre la baliza y la superficie de montaje. (SoundOff Signal recomienda utilizar arandelas planas y arandelas de retención para asegurar la baliza a la superficie de montaje).

Montaje en tubo:

1. La baliza viene preroscada para ajustarse a un tubo de 2,54 cm (1") NPT.
2. Inserte los cables en los tubos realizando las conexiones que desee utilizar.
3. Atornille la baliza al tubo hasta que quede tirante.
4. La base de aluminio tiene la inscripción "REAR". Rote la baliza hasta que la inscripción "REAR" mire hacia la parte posterior del vehículo. Esto es importante para los modos de luz específicos.



Instrucciones de montaje nROADS

Montaje magnético:

1. Ubique la superficie donde se montará la baliza.
2. Coloque la baliza con la inscripción "REAR" mirando hacia la parte posterior del vehículo. Esto es importante para los modos de luz específicos.

Funcionamiento del cargador Cig Plug:

1. Consulte el diagrama del cargador Cig Plug a la izquierda para obtener las ubicaciones del interruptor de ENCENDIDO/APAGADO y el interruptor SELECTOR DE PATRONES.
2. Para prender la baliza presione el interruptor de ENCENDIDO/APAGADO para ubicarlo en posición ENCENDIDO.
3. Con la baliza en la posición de ENCENDIDO, presione y mantenga presionado el interruptor selector de patrones durante 1 segundo hasta que la baliza parpadee el nuevo patrón y se suelte.
4. Mantenga presionado el interruptor SELECTOR DE PATRONES durante >5 segundos mientras la baliza se encuentre en posición ENCENDIDO para restablecer el patrón de la baliza al n.º 0.

INSTALACIÓN ELÉCTRICA (se aplica únicamente a las opciones de montaje permanente)

Cables de alimentación

- Trace los cableados de alimentación y a tierra suministrados por el cliente que están dimensionados adecuadamente para el consumo de corriente de la baliza (clasificada para un mínimo de 125 % por encima del consumo de corriente máxima) entre la fuente de energía (batería) y los cables de alimentación y a tierra de la baliza.
- Instale un fusible de un máximo de 20 amp (suministrado por el cliente) en el extremo de los cables de alimentación lo más cerca posible a la fuente de energía (batería).
 - Retire el fusible antes de conectar cualquier cable a la batería.
 - NO UTILICE DISYUNTORES O CONEXIONES DE FUSIBLES.
- Conecte el otro extremo del fusible al terminal POSITIVO (+) de la batería.
 - NO utilice más de 61 cm (2 ft) de cable entre el terminal de la batería y el fusible y asegúrese de que el cable esté protegido y asegurado contra cortes; este es un cable sin fusibles.
- Conecte el cable NEGRO a la masa del chasis de fábrica junto a la batería y los cables a tierra de la baliza.

Cables de control (azul, anaranjado, amarillo y rosa):

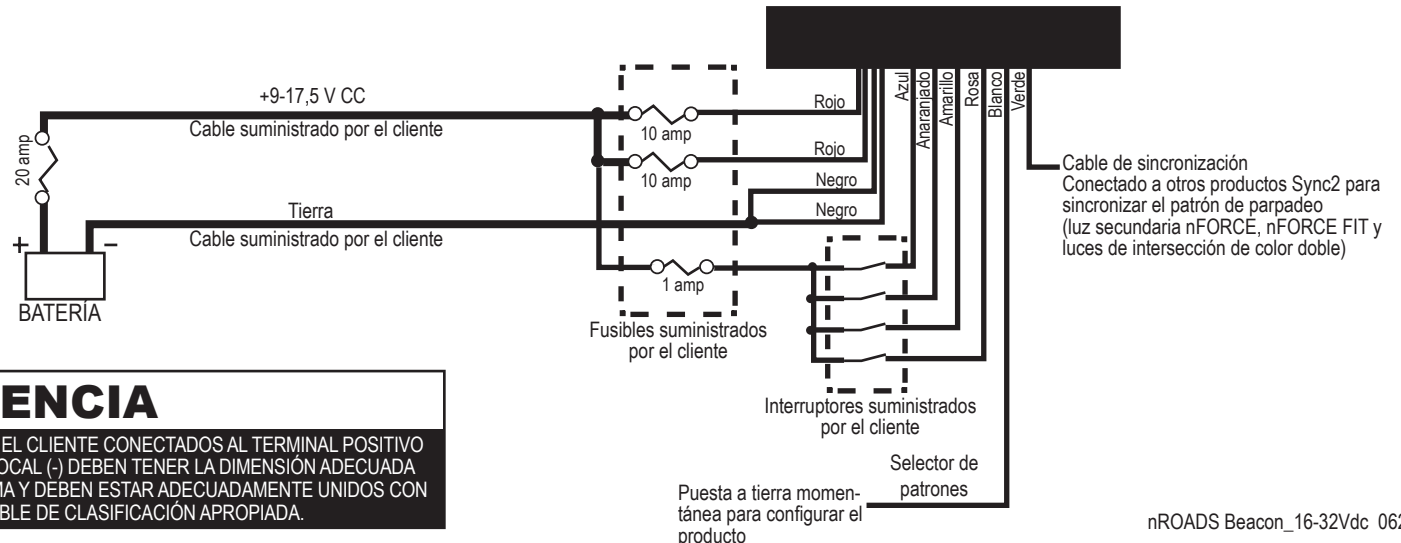
- Trace el cableado suministrado por el cliente entre el panel de interruptores y los cables azules, anaranjados, amarillos o rosas. Utilice un cable tipo TXL de 20 AWG según sea necesario para extender la longitud de los cables de manera que alcancen los interruptores suministrados por el cliente.
- El suministro de +12 V a los cables de control debe estar protegido contra sobrecorriente para brindar protección a los cables y el producto en contra de la posibilidad de un cortocircuito. Un fusible de 1 amp será suficiente dado que las entradas de los cables de control requieren menos de 10 mA por entrada para activarse.

Cable de sincronización (verde):

- Conecte el cable verde a otros productos compatibles con Sync2 (luz secundaria nFORCE, nFORCE FIT y luces de intersección de color doble) que se encuentran en el vehículo y que deben sincronizar el patrón de parpadeo. Todo producto con los cables verdes conectados debe funcionar con el mismo patrón de parpadeo, ya que de otra manera ocurrirá una sincronización incorrecta del patrón de parpadeo.
- Si los patrones de parpadeo sincronizados a otro producto no son necesarios, corte en línea recta y anule con cinta el extremo del cable verde para asegurar que el cable no se lleve a tierra accidentalmente mientras se encuentre en funcionamiento.

Cable de selección/configuración de patrón (blanco):

- La aplicación de una conexión a tierra momentánea sobre el cable blanco configurará el producto. Consulte la sección de configuración del producto en las instrucciones de instalación para el ajuste.
- Una vez que el producto esté configurado, corte en línea recta y anule con cinta el extremo del cable blanco para asegurar que el cable no se lleve a tierra accidentalmente mientras se encuentre en servicio y que cambie la configuración.



⚠ ADVERTENCIA

TODOS LOS CABLES DE ALIMENTACIÓN SUMINISTRADOS POR EL CLIENTE CONECTADOS AL TERMINAL POSITIVO (+) O NEGATIVO (-) DE LA BATERÍA O A LA MASA DEL CHASIS LOCAL (-) DEBEN TENER LA DIMENSIÓN ADECUADA PARA SUMINISTRAR AL MENOS 125 % DE LA CORRIENTE MÁXIMA Y DEBEN ESTAR ADECUADAMENTE UNIDOS CON FUSIBLE A LA FUENTE DE ENERGÍA CON EL FUSIBLE DE CLASIFICACIÓN APROPIADA.

INSTALACIÓN ELÉCTRICA (CONTINUACIÓN)

Configuración del producto:

- Se puede asignar una función a cada uno de los cuatro cables de control (azul, anaranjado, amarillo y rosa) desde el tablero de patrones de parpadeo, las cuales incluyen:
 - Generar un patrón,
 - Habilitar una escena (donde las luces se encuentran en estado estable encendido),
 - Habilitar el modo crucero (las luces están tenuemente encendidas), o
 - Ajustar la barra de luz a modo energía reducida (noche).
- La funcionalidad se asigna a los cables de control mediante la aplicación de un suministro de +12 V al cable de control y la posterior puesta a tierra del cable blanco por un periodo de tiempo específico.
 - Para avanzar a la siguiente función en la lista, conecte el cable blanco a tierra durante <1 segundo.
 - Para retroceder una función en la lista, mantenga el cable blanco a tierra durante >1 segundo y <2 segundos.
 - Para ajustar la funcionalidad del cable al valor preconfigurado, mantenga el cable blanco a tierra durante >1 segundo y <3 segundos.
 - Si cambia el patrón, el número de patrón parpadeará en los módulos de la esquina izquierda y derecha con "10s" destelló en el lado izquierdo y "1s" destelló en el lado derecho.
 - Para balizas de más de un color, mantenga el cable blanco a tierra durante >3 segundos para ajustar los colores utilizados con el cable de control activo.
- Para balizas de colores múltiples, los colores utilizados para cada cable de control se ajustan mediante la puesta a tierra del cable blanco a la vez que se aplican +12 V al cable de control deseado durante >3 segundos.
 - Después de 3 segundos, cada color se encenderá durante 1 segundo. Libere el cable blanco durante este momento para ajustar la función del cable de control al color que se muestra.
 - Una vez que se hayan mostrado todos los colores, las combinaciones de color se encenderán de manera que los 2 colores se alternen (½ segundo para el color 1 y ½ segundo para el color 2) en 3 tiempos, seguido por ½ segundo de apagado. Libere el cable blanco durante este momento para ajustar la función del cable de control a los 2 colores de parpadeo.
- El tablero de control obtiene información acerca de los módulos adjuntos mediante un procedimiento de aprendizaje que se realiza en la fábrica. Si el hardware se cambia a módulos de diferentes tipos (por ej., se cambian los colores), el proceso de aprendizaje deberá repetirse.
 - Si el dispositivo es una baliza, asegúrese de que el interruptor DIP 2 esté ENCENDIDO. Si es una barra de luz debería estar en posición APAGADO.
 - Para habilitar sync2 asegúrese de que el interruptor DIP 3 esté ENCENDIDO. Para inhabilitar sync2 asegúrese de que el interruptor DIP 3 esté APAGADO.
 - Mueva el interruptor DIP 1 de la posición APAGADO a ENCENDIDO y luego nuevamente a APAGADO para iniciar el proceso de aprendizaje.
 - Después de aproximadamente 2 segundos (tiempo durante el cual las luces podrían titilar brevemente), todas las luces de cada color se encenderán durante 2 segundos cada una. Observe los módulos para asegurarse de que sean del color adecuado.
 - Después de realizar el proceso de aprendizaje, será necesario configurar un color para cada cable de activación. Para hacerlo, siga las instrucciones en la página 5, sección 3. Realice esta función para todos los cables de activación que se utilizarán.

Modos operativos:

1. Patrón de parpadeo

Los módulos de luz parpadearán con el patrón seleccionado. Si los cables de control múltiples están ajustados para generar un patrón y se activan simultáneamente, el cable con la mayor prioridad estará activo (Rosa> Amarillo> Anaranjado> Azul).

2. Escena

Los módulos para la escena permanecerán encendidos. Si solo se utilizan algunos módulos de luces para la escena entonces un patrón de parpadeo puede estar activo en otros módulos de luces.

3. Modo crucero

Los módulos seleccionados permanecerán encendidos en un valor tenue. Los patrones y las escenas tendrán prioridad sobre una función de crucero si ambos están activos.

4. Baja potencia

Si se habilita una función de baja potencia junto con un patrón o escena, el patrón o escena estarán activos a un nivel de generación de luz menor.

5. **Suspensión** Si no hay entradas activas, el dispositivo entrará en un modo de suspensión de baja potencia.

ADVERTENCIA

Trace el cableado solamente en ubicaciones que no estén sujetas al desgaste potencial. Asegúrese de evitar el trazado de cables en el área de despliegue de la bolsa de aire. Consulte el manual del propietario de su vehículo para obtener información de la zona de despliegue de la bolsa de aire.

IMPORTANTE

CUANDO SE PASAN CABLES POR EL CORTAFUEGOS U OTRO METAL LAMINADO, ¡INSERTE ARANDELAS PARA PROTEGER EL CABLE!

PATRONES DE PARPADEO

*fpm= Parpadeos por minuto

**fps= Parpadeos por segundo

N.º	Nombre	Cumple con SAE	Secuencia	fpm	fps	Compatible de nROADS a nROADS	Compatible con Sync2
0	RandomAction 1	Sí	Variable	-	-	Sí	n/a
1	RandomAction 2		Variable	-	-	Sí	n/a
2	RandomAction 3 (cable azul/cargador Cig Plug preconfigurado)		Variable	-	-	Dependiente del recuento de módulos LED	n/a
3	RandomAction 4 (cable anaranjado preconfigurado)		Variable	-	-	Dependiente del recuento de módulos LED	n/a
4	Rotate 250	Sí	Rotativa	-	-	Dependiente del recuento de módulos LED	n/a
5	Rotate 125	Sí	Rotativa	-	-	Dependiente del recuento de módulos LED	n/a
6	Race 200 (rotar con perseguidor)	Sí	Rotativa	-	-	Dependiente del recuento de módulos LED	n/a
7	Race 125	Sí	Rotativa	-	-	Dependiente del recuento de módulos LED	n/a
8	Race 100	Sí	Rotativa	-	-	Dependiente del recuento de módulos LED	n/a
9	Race 200 c/TripplPop		Variable	-	-	Dependiente del recuento de módulos LED	n/a
10	Cross-Fire		2 movimientos circulares individuales	-	-	Dependiente del recuento de módulos LED	n/a
11	Super Scan		Pulse/Alt de tipo doble	-	-	Dependiente del recuento de módulos LED	n/a
12	Power Flash		Alt/Pulse de tipo doble	-	-	Sí	n/a
13	Thunder and Lightning		Aleatoria	-	-	Sí	n/a
14	8TriplePop	Sí	Sim	-	3,7; 1,5	Sí	n/a
15	Quint	Sí	Alt L/R	67	1,1	Sí	Sí
16	Quint	Sí	Sim	67	1,1	Sí	Sí
17	Quint	Sí	Alt²/Sim	67	1,1	Sí	Sí
18	Quad2	Sí	Alt L/R	67	1,1	Sí	Sí
19	Quad2	Sí	Sim	67	1,1	Sí	Sí
20	Quad2	Sí	Alt²/Sim	67	1,1	Sí	Sí
21	Q-Switch™		Variable		-	Sí	Sí
22	Double	Sí	Alt L/R	115	1,9	Sí	n/a

PATRONES DE PARPADEO (CONT.)

*fpm= Parpadeos por minuto
 **fps= Parpadeos por segundo

N.º	Nombre	Cumple con SAE	Secuencia	fpm	fps	Compatible de nROADS a nROADS	Compatible con Sync2
22	Double	Si	Alt L/R	115	1,9	Si	n/a
23	Double	Si	Sim	115	1,9	Si	n/a
24	Double	Si	Alt²/Sim	115	1,9	Si	n/a
25	Power Pulse	Si	Alt L/R	188	3,1	Si	Si
26	Power Pulse	Si	Sim	188	3,1	Si	Si
27	Power Pulse	Si	Alt²/Sim	188	3,1	Si	Si
28	Road Runner	Si	Alt L/R	115	1,9	Si	Si
29	Road Runner	Si	Sim	115	1,9	Si	Si
30	Road Runner	Si	Alt²/Sim	115	1,9	Si	Si
31	Slow Runner	Si	Alt L/R	70	1,2	Si	n/a
32	Slow Runner	Si	Sim	70	1,2	Si	n/a
33	Slow Runner	Si	Alt/Sim	70	1,2	Si	n/a
34	Warp		Alt L/R	333	5,6	Si	Si
35	Warp		Sim	333	5,6	Si	Si
36	Warp		Alt²/Sim	333	5,6	Si	Si
37	Intercycle		Alt L/R	67 y 333	1,1 y 5,6	Si	Si
38	Intercycle		Sim	67 y 333	1,1 y 5,6	Si	Si
39	Intercycle		Alt²/Sim	67 y 333	1,1 y 5,6	Si	Si
40	Warp 1, 2, 3		Alt L/R	115-333	1,9-5,6	Si	n/a
41	Warp 1, 2, 3		Sim	115-333	1,9-5,6	Si	n/a
42	Warp 1, 2, 3		Alt²/Sim	115-333	1,9-5,6	Si	n/a
43	Recurrent		Sim	70	1.16	Si	n/a
44	Quad Pulse-Pop		Sim	75	1.25	Si	Si
45-69	RESERVADO PARA EL FUTURO						

N.º	Nombre	Cumple con SAE	Secuencia	fpm	fps	Compatible de nROADS a nROADS	Compatible con Sync2
70	All Cruise 3%			Control en modo crucero (superposición de patrones posible)		n/a	n/a
71	All Cruise 7% (cable amarillo preconfigurado)			Control en modo crucero (superposición de patrones posible)		n/a	n/a
72	Left Scene			Control de la escena		n/a	n/a
73	Right Scene			Control de la escena		n/a	n/a
74	Front Scene			Control de la escena		n/a	n/a
75	Rear Scene			Control de la escena		n/a	n/a
76	All Scene			Control de la escena		n/a	n/a
77	Low Power 30%			Control del modo potencia baja (1 guiño)		n/a	n/a
78	Low Power 50% (Pink wire default)			Control del modo potencia baja (2 guiños)		n/a	n/a
79*	Bottom Scene			Control de la escena		n/a	n/a
80*	Top Scene			Control de la escena		n/a	n/a

*Faro de Cupula Alta Solamente

Tabla de compatibilidad con Sync2 (nFORCE secundaria, nFORCE FIT, Intersector de color doble)

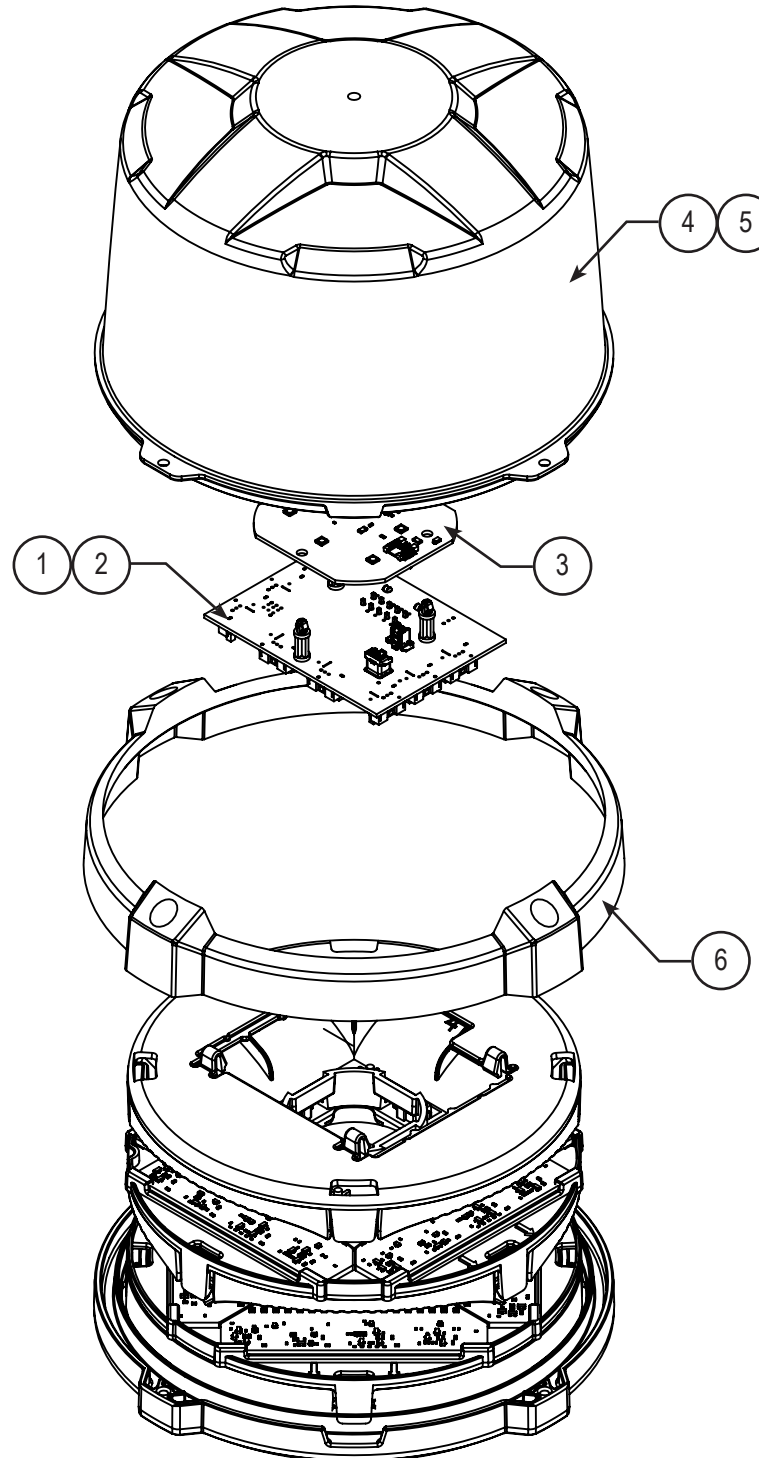
N.º DE PATRÓN	COLOR ÚNICO	COLOR DOBLE	TRIPLE COLOR	Compatible con nROADS
1		QUINT		Sí
2		WARP		Sí
3		INTER-CYCLE		Sí
4		DOUBLE		-
5		QUAD		-
6		POWER PULSE		Sí
7		ROAD RUNNER		Sí
8		Q-SWITCH		Sí
9		STEADY-BURN/ROADRUNNER		-
10		STEADY-BURN DRIVER TITLE 13 QUAD		-
11		QUAD 2		-
12		DOUBLE 2		-
13		RANDOM 1		-
14		RANDOM 2		-
15		QUAD PULSE - POP		Sí

NOTA:

Para patrones de parpadeo simultáneos o alternativos, ajustar el tipo de secuencia en el producto secundario.

PIEZAS DE REEMPLAZO Y ACCESORIOS

N.º DE ARTÍCULO	N.º DE PIEZA	DESCRIPCIÓN
1	PNRBCDRV2	ACCIONADOR CON CONECTOR
2	PNRBCDRV1	ACCIONADOR SIN CONECTOR
3	PNRBCLUP6A	MOTOR DE LUZ SUPERIOR
3	PNRBCLUP6B	MOTOR DE LUZ SUPERIOR
3	PNRBCLUP6G	MOTOR DE LUZ SUPERIOR
3	PNRBCLUP6R	MOTOR DE LUZ SUPERIOR
3	PNRBCLUP6W	MOTOR DE LUZ SUPERIOR
4	PNRBCDMHA	DOMO ALTO ÁMBAR
5	PNRBCDMHC	DOMO ALTO TRANSPARENTE
6	PNRBCDRNGB	ANILLO NEGRO
	PNRBCHNJP1	ARNES DE PUENTE HACIA ARRIBA LED
	PNRLBHNP1	ARNES PARA ENCHUFE DE CIGARROS
	PNRLBHNP2	ARNES DE ALIMENTACION DE CONEXIÓN DIRECTA



Funcionamiento normal

Durante el funcionamiento normal, la baliza parpadeará cuando una combinación de las cuatro entradas de control estén conectadas a +V CC. La baliza está en posición APAGADO y en modo de espera de baja potencia después de 10 segundos sin entradas de control activo

Sin funcionamiento

- Sin potencia; Verifique que las unidades de alimentación principales rojas tengan una conexión sólida con la +V CC presente en el cable posterior al fusible. Se requiere un mínimo de +9 V CC. Reemplace el fusible de ser necesario.
Verifique que las unidades de alimentación principales rojas no hayan excedido el umbral de corte de tensión de +17,5 V CC. Disminuya la tensión para recuperar el funcionamiento.
Verifique que las unidades de alimentación a tierra principales negras tengan una conexión a tierra de resistencia sólida y baja.
- No hay luces; Verifique que al menos una de las cuatro entradas de control estén presentes con +V CC.
Verifique que el patrón sea capaz de avanzar y que el cable de control no esté configurado en modo de potencia baja, patrón 50-51. (Cable azul preconfigurado)
Configure el producto (pág. 5).

Parpadeo de luz de advertencia incorrecto o nulo

- Sin funcionamiento; Verifique que el cable de entrada de control correcto esté presente con +V CC.
Verifique que el patrón sea capaz de avanzar y que el cable de control no esté configurado en modo de potencia baja, patrón 50-51. (Cable azul preconfigurado)
Configure el producto (pág. 5).
- Funcionamiento incorrecto/no deseado; Verifique que no haya otra entrada de control activa que tenga prioridad de parpadeo sobre la entrada de control actual. (pág. 4).
La potencia baja y la luz de escena anulan el modo de parpadeo sin importar la prioridad del cable. Remueva la entrada de control de potencia baja o luz de escena.

Luces de escena nulas o incorrectas

- Sin luces; Verifique que el cable de entrada de control correcto esté presente con +V CC.
Verifique que el patrón sea capaz de avanzar y que el cable de control esté configurado en el patrón 45-49.
Configure el producto (pág. 5).
- Funcionamiento incorrecto/no deseado; Verifique que no haya otra entrada de control con escena activa que tenga prioridad sobre la entrada de control actual. (pág. 4). La potencia baja anula la prioridad del cable de luz de escena. Remueva la entrada de control de potencia baja.

Sincronización nula o incorrecta

- Sincronización nula o incorrecta; Verifique que los cables verdes estén conectados entre todos los productos Sync2 requeridos.
Verifique que los patrones de parpadeo estén ajustados al mismo patrón. Los patrones 12-42 son capaces de sincronización con todos los productos Sync2.
Según el recuento de módulos LED, los patrones aleatorios y rotativos (0-11) podrían no sincronizarse correctamente entre productos (p. ej. la barra de luz mini y la baliza Dual Stack). La escena, el modo crucero o la potencia baja no son capaces de sincronización.

Parpadeo errático

- Verifique que los patrones de parpadeo estén ajustados al mismo patrón.
Verifique que el cable verde o blanco no estén en cortocircuito intermitente a tierra. Selle de manera segura todas las conexiones.



PROCESO DE DEVOLUCIÓN EN GARANTÍA:

Comuníquese con su Representante de ventas de SoundOff Signal, personal de Servicios al cliente o con nuestro Departamento técnico (800.338.7337, opción n.º 4) para obtener un N.º de RMA, Número de Autorización de Devolución de Mercadería (Return Merchandise Authorization, RMA).

La siguiente información es necesaria para la emisión del n.º de RMA:

- Motivo de devolución del producto*
- Dirección a la que se debe enviar el producto de reemplazo*
- Número de teléfono donde podamos contactarlo*
- Número de factura de SoundOff Signal en la que figura la compra del producto**
- Número de pieza y de serie de SoundOff Signal**
- Dirección de correo electrónico a la que se puede enviar el n.º de RMA**
- Número de fax al que se puede enviar el n.º de RMA**

*El n.º de RMA no se otorgará sin esta información.

**Si dispone de esta información, tenga a bien proveerla.

SoundOff Signal no aceptará devoluciones sin un n.º de RMA. Cada n.º de RMA tiene validez para una (1) devolución y vencerá (30) días después de la fecha de emisión. Los productos deben enviarse nuevamente a SoundOff Signal y el n.º de RMA debe estar marcado de manera clara en la parte exterior del empaque cerca de la etiqueta de envío. Coloque la siguiente dirección en la etiqueta de envío:

SoundOff Signal
Atención: N.º de RMA/Technical Service
3900 Central Parkway
Hudsonville, MI 49426

EXCLUSIONES DE LA GARANTÍA:

Los cargos por envío y manejo, mano de obra y servicios no son reembolsables. SoundOff Signal no se responsabiliza por cualquier daño por instalación o lesión personal como resultado del uso del producto de SoundOff Signal.

PÉRDIDA DE LA GARANTÍA:

La garantía no será efectiva si no se cumplen estrictamente las normas de la Política y procedimiento de devolución en garantía. El daño físico que resulte del abuso por parte del cliente anulará la garantía. La garantía también será nula si se remueven, alteran o falsifican etiquetas de serie, adhesivos del producto, sellos y demás de SoundOff Signal o el fabricante. El producto devuelto que resulte dañado en el envío a través del procedimiento del n.º de RMA no será responsabilidad de SoundOff Signal.

La fecha efectiva del documento en la cubierta y a continuación sustituye a cualquier política y declaración previamente fechadas.

No existen otras garantías, expresas o implícitas que incluyen cualquier comerciabilidad implícita o aptitud para un uso en particular. SoundOff Signal se reserva el derecho de modificar esta declaración de garantía en cualquier momento, o de discontinuar, modificar o actualizar cualquier producto de su fabricación con mejoras en el diseño sin previo aviso.