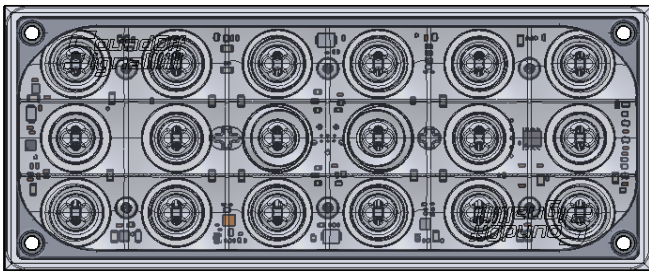
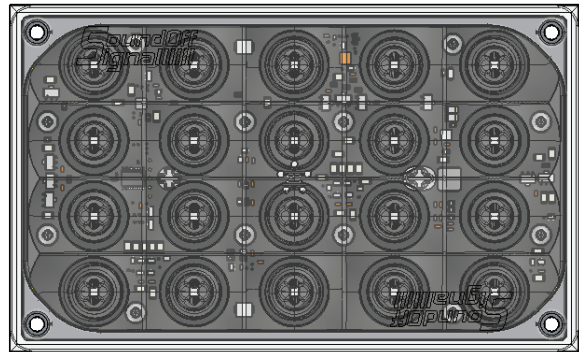


## STOP/TAIL & TURN LIGHTS

EMPSC07M(x)-(x) - 7X3 Quick Mount, Screw Mount, & Stud Mount  
 EMPSB0C9(x)-(x) - 6X4 Quick Mount, Screw Mount, & Stud Mount



7x3 Stop/Tail Shown



6x4 Stop/Tail Shown

Protected by U.S. Patent 10,703,260 and Patents Pending  
<https://soundoffsignal.com/legal/patent-notification/>

### **WARNING**

- HIGH CURRENT interconnects must be properly terminated. Poor crimp quality can cause heat build-up and fire. Follow the crimp connector manufacturer instructions.
- DO NOT install this product or route any wires in the Air Bag Deployment Zone. Refer to vehicle Owner's Manual for deployment zones.
- Do NOT use system to disconnect headlights, brake lights or other safety equipment.
- Unit may become hot to touch during normal operation.
- Failure to properly install connectors, fuses or wiring may cause vehicle failure or fire.
- Installation must only be performed by trained technician. Installer must determine vehicle wiring configuration and proper integration of system.
- Use proper wire gauge. All power wires connecting to positive (+) or negative (-) battery terminal or local chassis ground (-) must be sized to supply at least 125% of max. current and properly fused at power source.
- Install protective grommets when routing wire through firewall or metal.
- Petroleum/silicone based lubricants will cause the silicone lens to discolor.

DIMENSIONS . . . . . 2

STT LIGHT OPTIONS . . . . . 2

TECHNICAL SPECIFICATIONS . . . . . 3


WIRING INFORMATION . . . . . 4-5

QUICK MOUNT INSTALLATION . . . . . 6

STUD MOUNT INSTALLATION . . . . . 6

SCREW MOUNT INSTALLATION . . . . . 7

RETENTION CLIP INSTRUCTIONS . . . . . 8

 **WARNING**

ROUTE WIRES ONLY IN LOCATIONS THAT ARE NOT SUBJECTED TO POTENTIAL WEAR. MAKE SURE TO AVOID ROUTING WIRES IN THE DEPLOYMENT AREA OF YOUR AIR BAG. REFER TO YOUR VEHICLE'S OWNER'S MANUAL FOR AIRBAG DEPLOYMENT ZONES.



1.800.338.7337 / [www.soundoffsignal.com](http://www.soundoffsignal.com)

**NOTICE:**

Installers and users must comply with all applicable federal, state and local laws regarding use and installation of warning devices. *Improper use or installation may void warranty coverage. To review our Limited Warranty Statement & Return Policy for this or any SoundOff Signal product, visit our website at [www.soundoffsignal.com/tech-services/returns/](http://www.soundoffsignal.com/tech-services/returns/). If you have questions regarding this product, contact **Technical Services**, Monday - Friday, 8 a.m. to 5 p.m. ET at **1.800.338.7337** (press #4). Questions or comments that do not require immediate attention may be emailed to [techservices@soundoffsignal.com](mailto:techservices@soundoffsignal.com).*

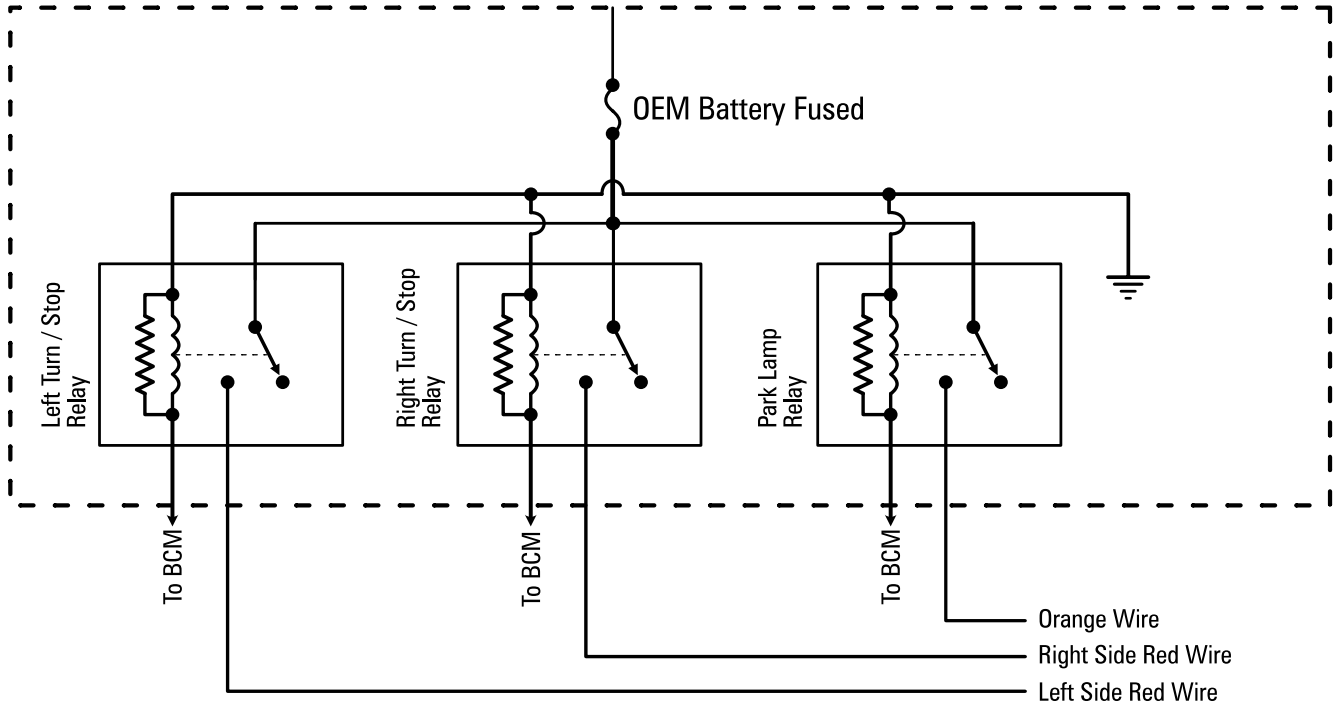
ENHANCING SAFETY THROUGH INNOVATION



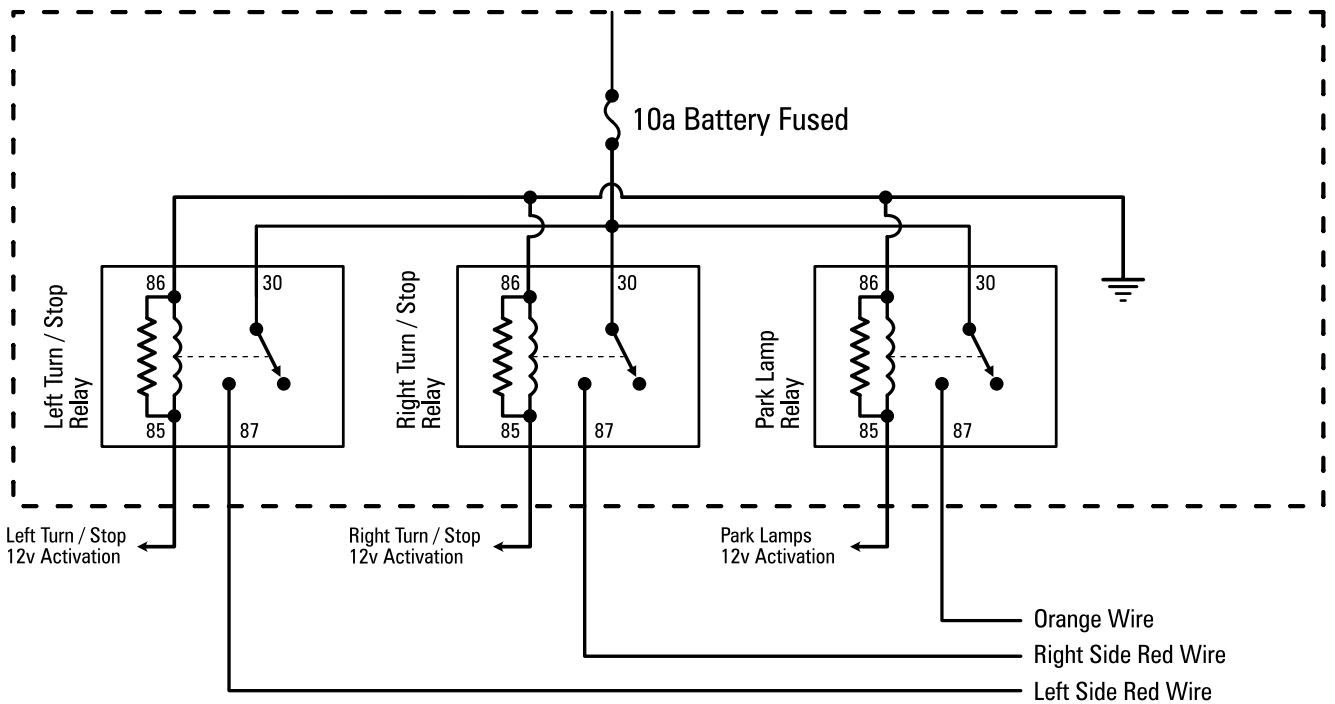




# TYPICAL TRAILER CIRCUIT SCHEMATIC ////////////////////////////////////



# AFTERMARKET RELAY ISOLATION SCHEMATIC ////////////////////////////////////





# SCREW MOUNT INSTALLATION:

1. Drill (4) 5/16" holes to mount light. Drill 3/4" wire hole. See Fig. 11(7x3) or Fig. 12(6x4).
2. If a bezel is being used, place the light into the bezel.
3. Place the gasket on the back of the light and bezel (if used)

**NOTE: Horizontal and vertical orientations indicated on gasket for proper seal.**

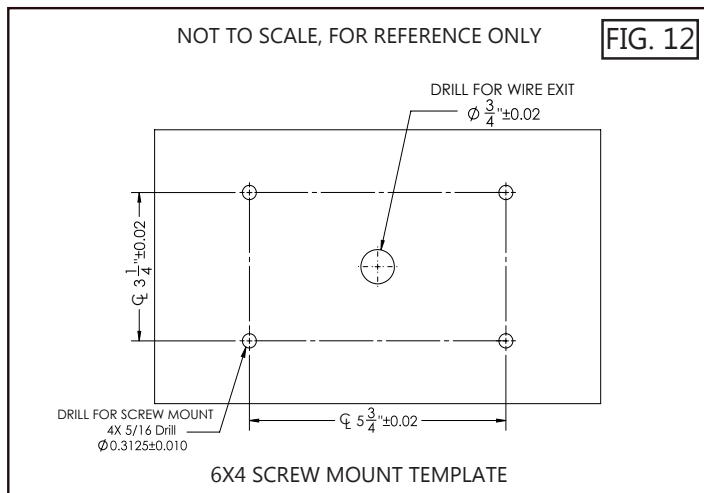
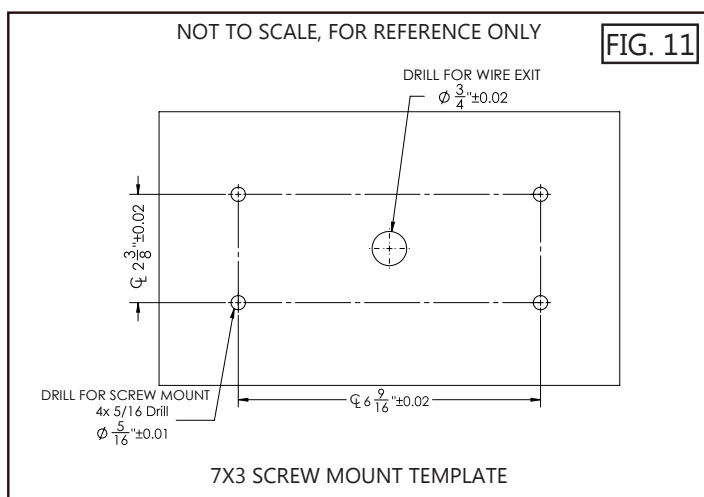
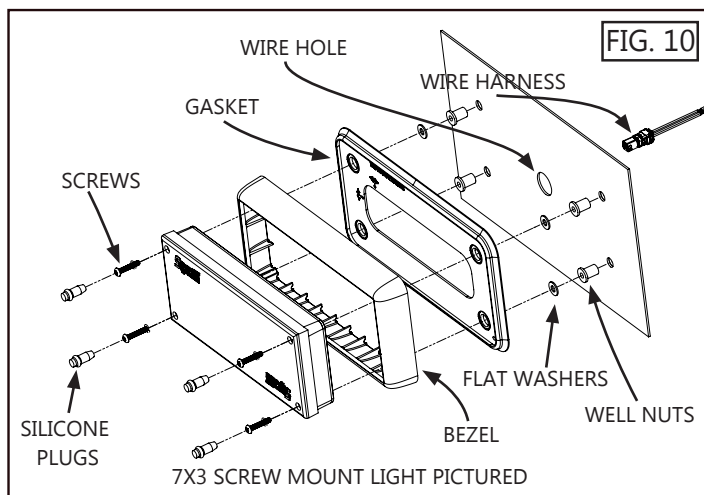
4. Insert the (4) supplied screws into each screw hole in the light.
5. Place (4) flat washers over the screws on the back of the light.
6. Screw onto each fastener the (4) well nuts onto the back of the light. Tighten until snug.
7. Pull the wire harness through the opening and plug into the back of the light.
8. With the light assembly in hand, insert the well nuts into the (4) drilled holes. Fully seat to mounting surface.
9. Secure the light to mounting surface. While applying pressure on each fastener, tighten the (4) screws 7 full turns.

**NOTE:** Tighten until gasket is compressed. DO NOT over tighten.

10. Insert (4) Silicone Plugs into the light to seal screw holes. (Use a 50% Isopropyl alcohol, 50% deionized water mix for lubrication if necessary).

**NOTE: Bezel required for any mounting not protected by intentionally recessed designed mounting locations.**

**DO NOT USE POWER DRIVER.**



**⚠ WARNING**  
 PETROLEUM/SILICONE BASED  
 LUBRICANTS WILL CAUSE THE  
 SILICONE LENS TO DISCOLOR.

