



PMPSABZ01X

Bezel for mpower® 4" Fascia Lights

FIG. 1

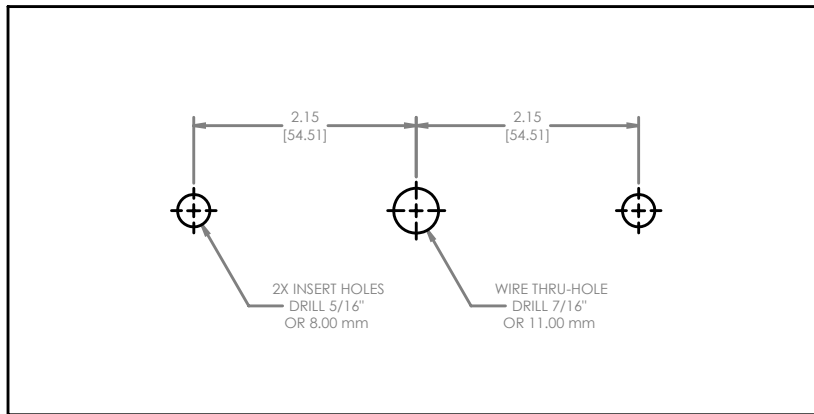


FIG. 2

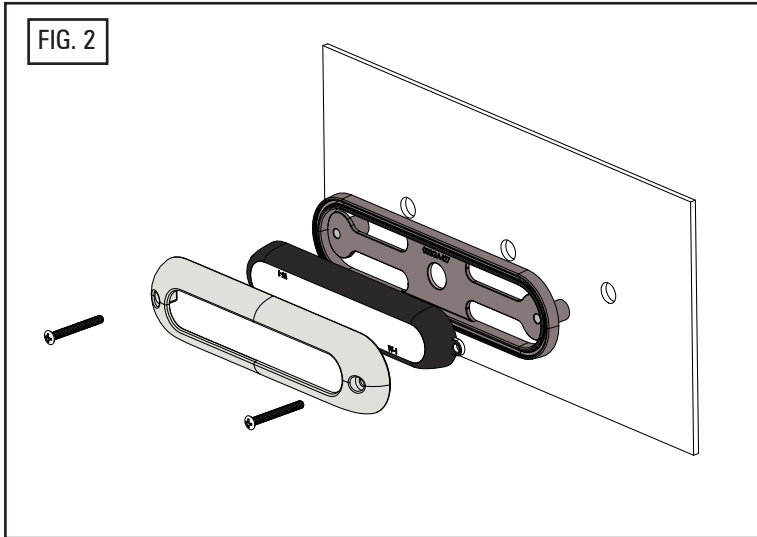
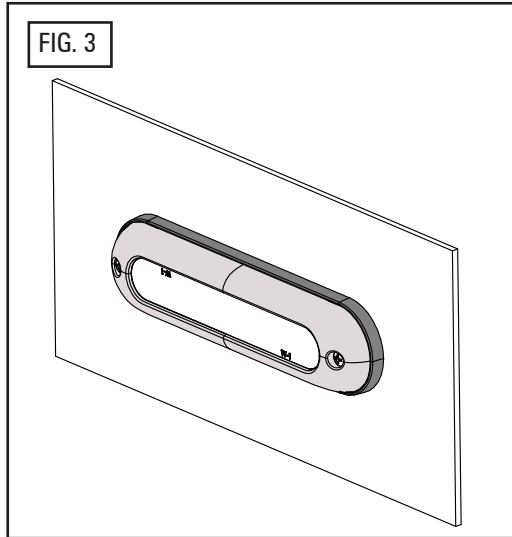


FIG. 3



PART NUMBERS:

PMPSABZ01B – 4" Bezel Kit: Black

PMPSABZ01C – 4" Bezel Kit: Chrome

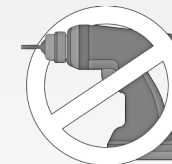
PMPSABZ01P – 4" Bezel Kit: Primed

INSTALLATION:

Threaded Gasket Mount

NOTE: The Threaded Gasket Mount should only be used when mounting the light to a flat surface that is less than 5/32" thick.

1. Pre-Drill the holes for the gasket and the wire through hole as indicated in Figure 1.
2. Deburr and clean the surface, as required.
3. Make wire connections and feed the wires through the drilled wire hole.
4. Slide the gasket into the two outer holes that were previously drilled and assemble the light and bezel as shown in Figure 2.
5. Install the light with the two included screws and hand tighten the screws 7 turns past when the screws have become fully seated in the bezel. The fully installed product is shown in Figure 3.



DO NOT USE POWER TOOLS TO TIGHTEN

NOTICE:

Installers and users must comply with all applicable federal, state and local laws regarding use and installation of warning devices.

Improper use or installation may void warranty coverage.

To review our Limited Warranty Statement & Return Policy for this or any SoundOff Signal product, visit our website at www.soundoffsignal.com/tech-services/returns/. If you have questions regarding this product, contact **Technical Services**, Monday - Friday, 8 a.m. to 5 p.m. or after hours 5 p.m. to 8 p.m. ET at **1.800.338.7337** (press #4). Questions or comments that do not require immediate attention may be emailed to techservices@soundoffsignal.com.

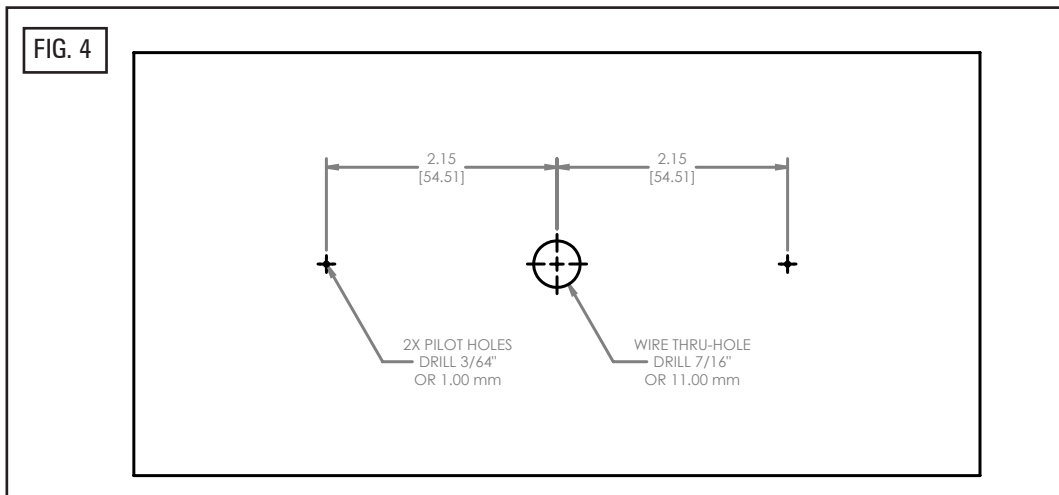
**SoundOff
Signal**

1.800.338.7337 / www.soundoffsignal.com

SUPERIOR CUSTOMER RELATIONSHIPS. SMARTLY DESIGNED LIGHTING & ELECTRONIC SOLUTIONS.

PMPSABZ01X 4" MPOWER BEZEL 06/23

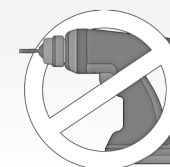
PMPSABZ01X Bezel for mpower® 4" Fascia Lights



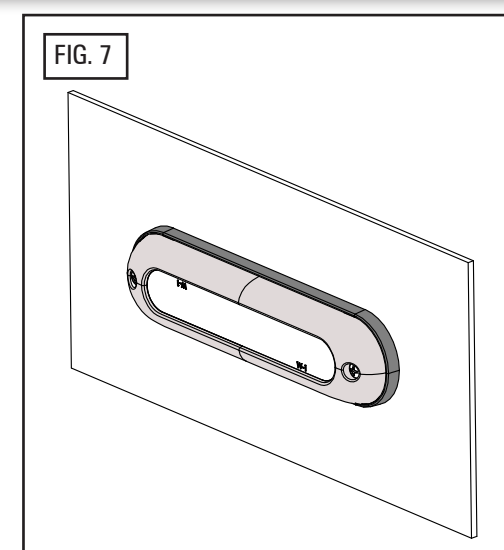
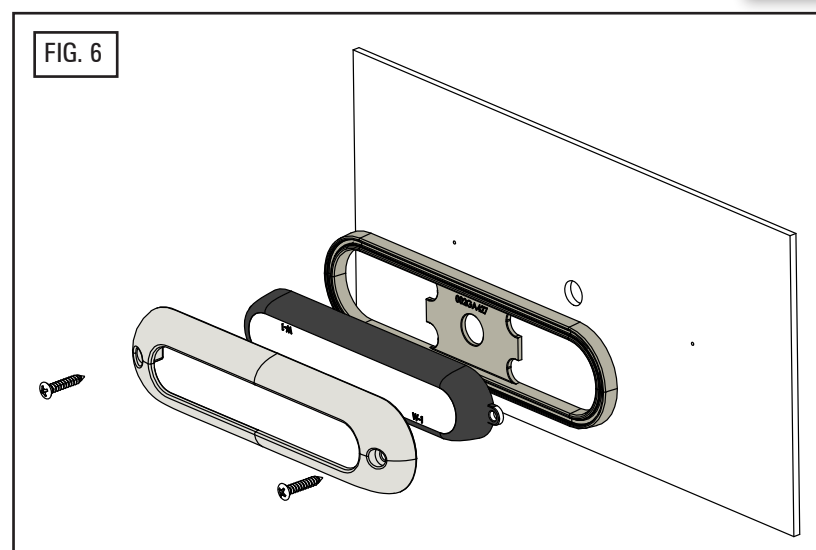
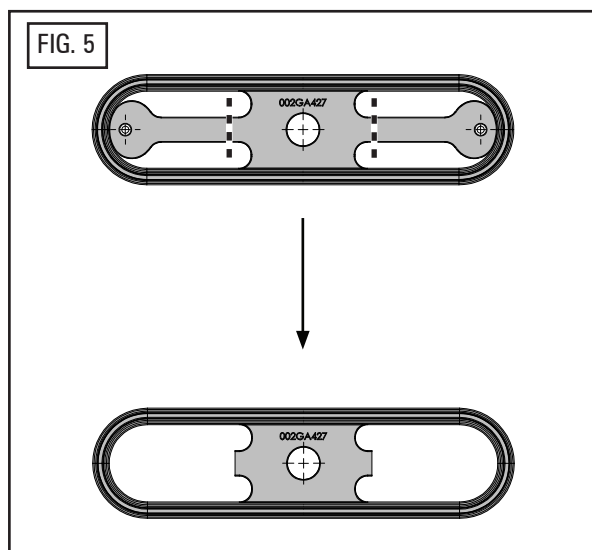
INSTALLATION CONTINUED:

Screw Mount

1. Pre-Drill the holes for the screws and the wire through hole as indicated in Figure 4.
2. Deburr and clean the surface, as required.
3. Cut off the threaded portions of the gasket where the dotted line is shown in Figure 5.
4. Assemble the light and bezel as shown in Figure 6, make wire connections, and feed the wire through the drilled wire hole.
5. Install light with the two screws and hand tighten only until mount surface and light are flush as seen in Figure 7.



**DO NOT USE POWER
TOOLS TO TIGHTEN**



NOTICE:

Installers and users must comply with all applicable federal, state and local laws regarding use and installation of warning devices.

Improper use or installation may void warranty coverage.

To review our Limited Warranty Statement & Return Policy for this or any SoundOff Signal product, visit our website at www.soundoffsignal.com/tech-services/returns/.
If you have questions regarding this product, contact **Technical Services**, Monday - Friday, 8 a.m. to 5 p.m. or after hours 5 p.m. to 8 p.m. ET at **1.800.338.7337** (press #4).
Questions or comments that do not require immediate attention may be emailed to techservices@soundoffsignal.com.