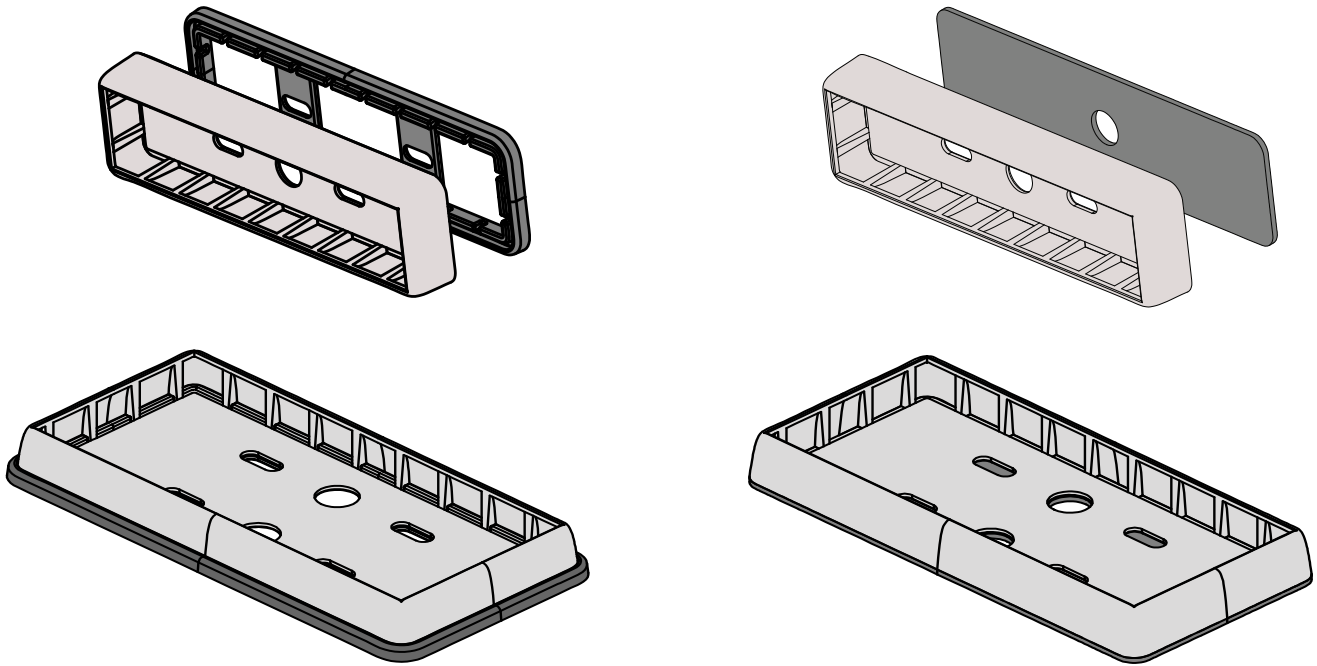




# 4" HD LIGHT BEZELS

- PMP4BZL01X -- Single Stud Mount Bezel
- PMP4BZL02X -- Single Quick Mount Bezel
- PMP4BZL03X -- Double-Stacked Stud Mount Bezel
- PMP4BZL04X -- Double-Stacked Quick Mount Bezel



## ⚠ WARNING ⚠

- HIGH CURRENT interconnects must be properly terminated. Poor crimp quality can cause heat build-up and fire. Follow the crimp connector manufacturer instructions.
- DO NOT install this product or route any wires in the Air Bag Deployment Zone. Refer to vehicle Owner’s Manual for deployment zones.
- Do NOT use system to disconnect headlights, brake lights or other safety equipment.
- Unit may become hot to touch during normal operation.
- Failure to properly install connectors, fuses or wiring may cause vehicle failure or fire.
- Installation must only be performed by trained technician. Installer must determine vehicle wiring configuration and proper integration of system.
- Use proper wire gauge. All power wires connecting to positive (+) or negative (-) battery terminal or local chassis ground (-) must be sized to supply at least 125% of max. current and properly fused at power source.
- Install protective grommets when routing wire through firewall or metal.
- Petroleum/silicone based lubricants will cause the silicone lens to discolor.

SINGLE BEZEL STUD MOUNT INSTALL . . . . . 2

SINGLE BEZEL QUICK MOUNT INSTALL . . . . . 3

DOUBLE BEZEL STUD MOUNT INSTALL . . . . . 4

DOUBLE BEZEL QUICK MOUNT INSTALL . . . . . 5

**⚠ WARNING**

ROUTE WIRES ONLY IN LOCATIONS THAT ARE NOT SUBJECTED TO POTENTIAL WEAR. MAKE SURE TO AVOID ROUTING WIRES IN THE DEPLOYMENT AREA OF YOUR AIR BAG. REFER TO YOUR VEHICLE'S OWNER'S MANUAL FOR AIRBAG DEPLOYMENT ZONES.



1.800.338.7337 / www.soundoffsignal.com

### NOTICE:

Installers and users must comply with all applicable federal, state and local laws regarding use and installation of warning devices. Improper use or installation may void warranty coverage. To review our Limited Warranty Statement & Return Policy for this or any SoundOff Signal product, visit our website at [www.soundoffsignal.com/tech-services/returns/](http://www.soundoffsignal.com/tech-services/returns/). If you have questions regarding this product, contact **Technical Services**, Monday - Friday, 8 a.m. to 5 p.m. ET at **1.800.338.7337** (press #4). Questions or comments that do not require immediate attention may be emailed to [techservices@soundoffsignal.com](mailto:techservices@soundoffsignal.com).

ENHANCING SAFETY THROUGH INNOVATION

PMP4BZLXXX  
0000KP 0524 REV B

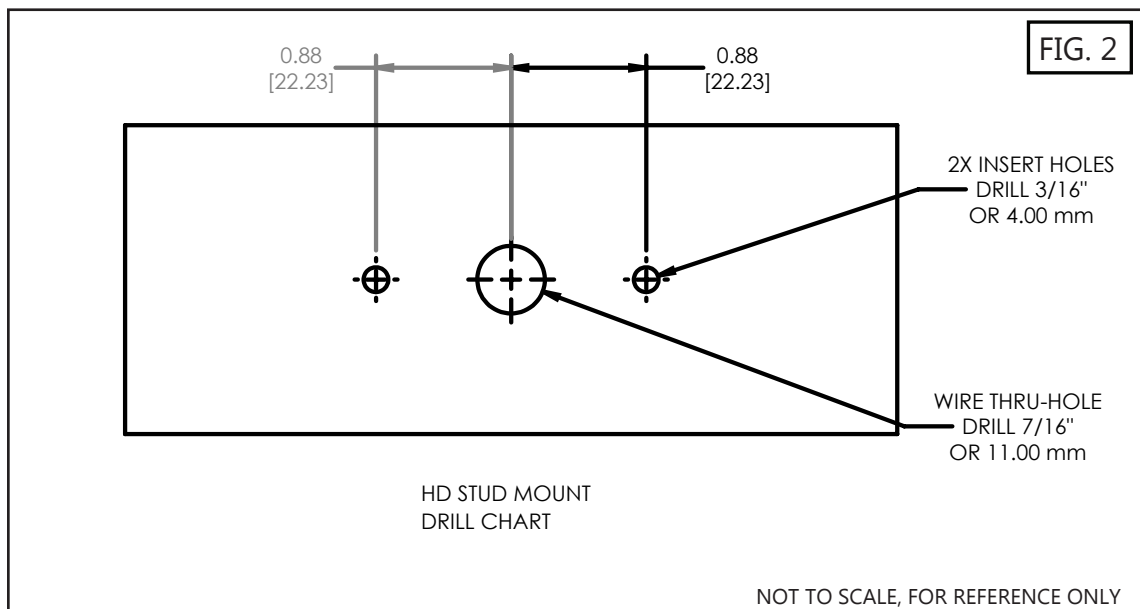
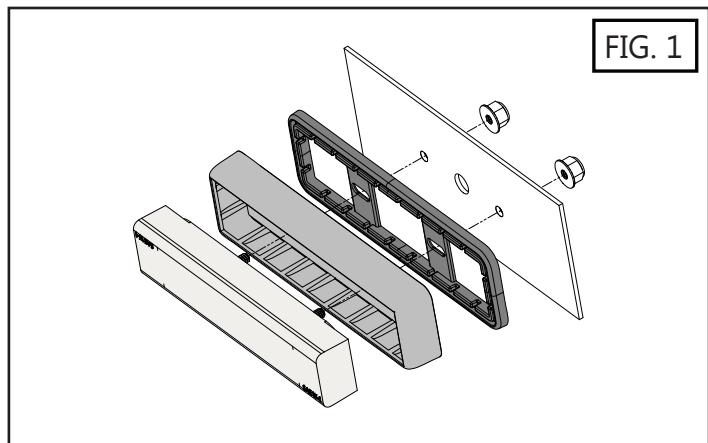
# SINGLE STUD MOUNT BEZEL INSTALLATION ////////////////////////////////////

1. Pre-drill per stud mount pattern indicated in **FIG.2**.
2. Clean the surface, as required.
3. Deburr hole, as required.
4. Feed wires through the bezel and the gasket.
5. Make wire connections and feed wire through the drilled wire hole.
6. Install light, inserting 2 studs into the 2 drilled holes.
7. Install 2 lock nuts onto studs behind mount surface. After the nut makes full contact with the mounting surface, hand tighten 1/8th turn (torque no more than 15 in-lbs.)



## PART NUMBERS

- PMP4BZL01C - 4" mpower HD Stud Mount Bezel – Chrome
- PMP4BZL01B - 4" mpower HD Stud Mount Bezel – Black
- PMP4BZL01P - 4" mpower HD Stud Mount Bezel – Primed



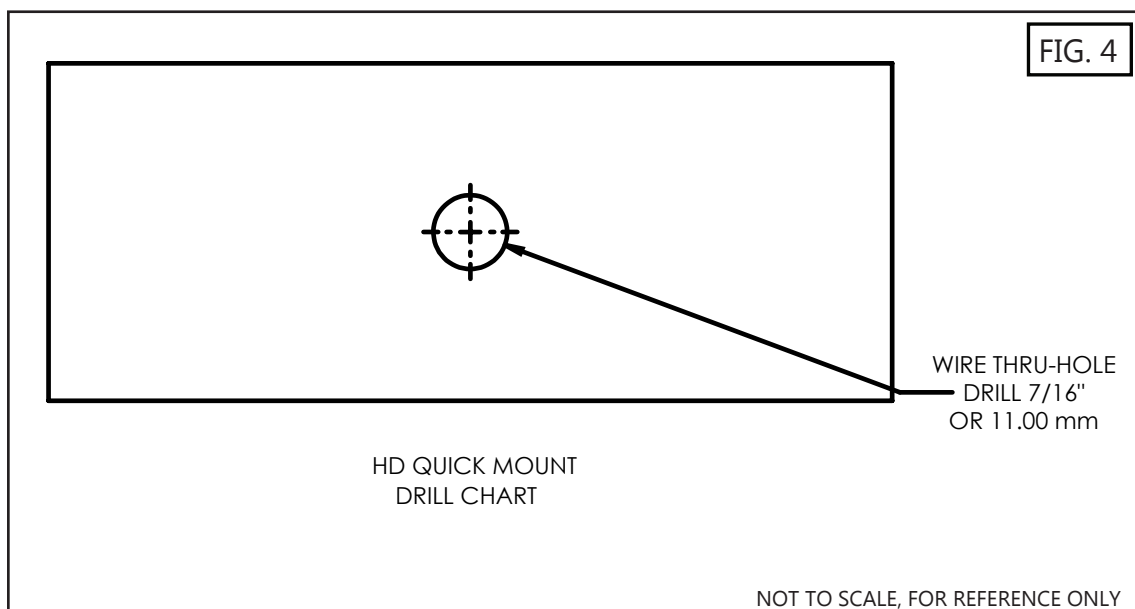
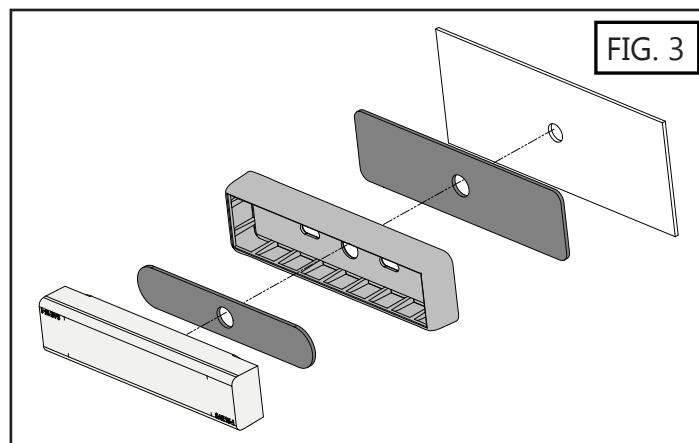
## SINGLE QUICK MOUNT BEZEL INSTALLATION

1. Pre-drill wire thru-hole per pattern indicated in Fig. 3.
2. Clean the surface, as required.
3. Deburr the holes, as required.
4. Cleanse the rear surface of the bezel using the provided alcohol wipe. Install the provided adhesive onto the rear surface of the bezel.
5. Feed wires through the holes in the bezel and the adhesive.
6. Make wire connections and feed wires through the drilled wire holes.
7. Install light, cleansing the inside surface of the bezel using the provided alcohol wipe and pressing in the quick-mount light.
8. Install the bezel assembly onto the intended mount surface. Cleanse the surface using the provided alcohol wipe and while applying pressure, press the assembly onto the surface.



### PART NUMBERS

- PMP4BZL02C - 4" mpower HD Quick Mount Bezel – Chrome
- PMP4BZL02B - 4" mpower HD Quick Mount Bezel – Black
- PMP4BZL02P - 4" mpower HD Quick Mount Bezel – Primed



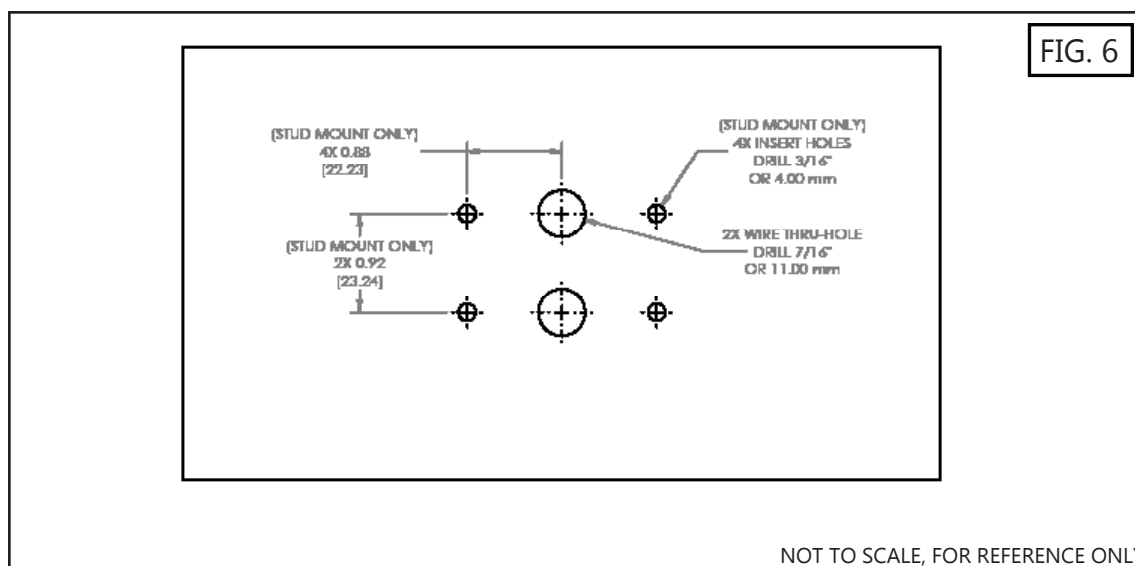
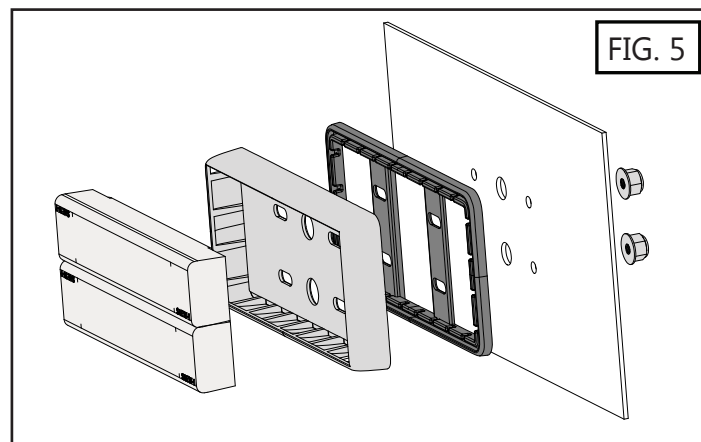
## DOUBLE-STACK STUD MOUNT BEZEL INSTALLATION

1. Pre-drill per stud mount pattern indicated in **FIG. 6**.
2. Clean the surface, as required.
3. Deburr the holes, as required.
4. Feed wires through the bezel and the gasket.
5. Make wire connections and feed wires through the drilled wire holes.
6. Install lights (2), inserting studs into the drilled holes.
7. Install lock nuts (4) onto studs behind mount surface. After the nut makes full contact with the mounting surface, hand tighten 1/8th turn (torque no more than 15 in-lbs).



### PART NUMBERS

- PMP4BZL03C - 4" mpower HD Double-Stack Stud Mount Bezel – Chrome
- PMP4BZL03B - 4" mpower HD Double-Stack Stud Mount Bezel – Black
- PMP4BZL03P - 4" mpower HD Double-Stack Stud Mount Bezel – Primed



## DOUBLE-STACK QUICK MOUNT BEZEL INSTALLATION

1. Pre-drill wire thru-hole per pattern indicated in **FIG. 7**.
2. Clean the surface, as required.
3. Deburr the holes, as required.
4. Cleanse the rear surface of the bezel using the provided alcohol wipe. Install the provided adhesive onto the rear surface of the bezel.
5. Feed wires through the holes in the bezel and the adhesive.
6. Make wire connections and feed wires through the drilled wire holes.
7. Install lights (2), cleansing the inside surface of the bezel using the provided alcohol wipe and pressing in the quick-mount lights.
8. Install the bezel assembly onto the intended mount surface. Cleanse the surface using the provided alcohol wipe and while applying pressure, press the assembly onto the surface.



### PART NUMBERS

- PMP4BZL04C - 4" mpower HD Double-Stack Quick Mount Bezel – Chrome
- PMP4BZL04B - 4" mpower HD Double-Stack Quick Mount Bezel – Black
- PMP4BZL04P - 4" mpower HD Double-Stack Quick Mount Bezel – Primed

