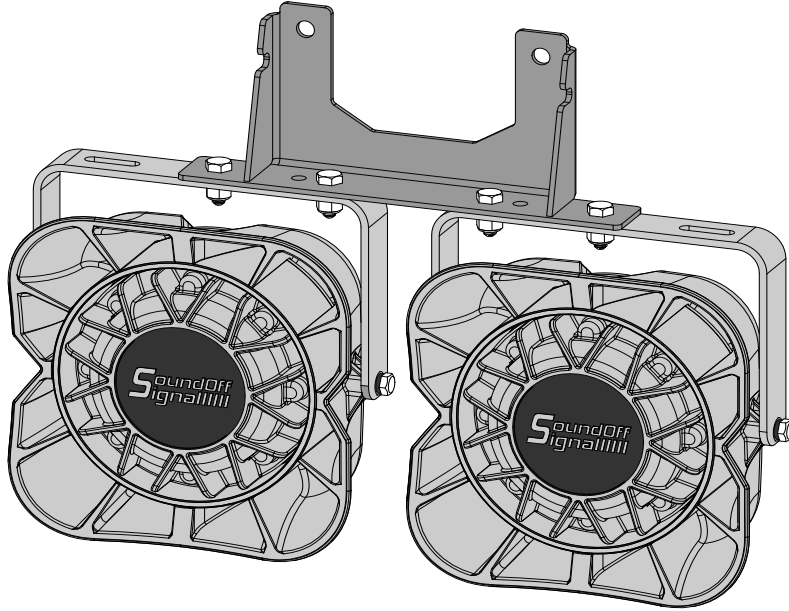


**100J/100U SERIES SPEAKER BRACKET (NO DRILL) CAPABLE OF HOLDING UP TO TWO SPEAKERS FOR THE CHEVROLET TAHOE PURSUIT & CIVILIAN VEHICLES 2020 - 2023, HOOD LATCH MOUNT**  
ETSSVBK07



ETSSVBK07 PICTURED WITH (2) ETSS100J SPEAKERS\*

**⚠ WARNING**

- All connections interconnects must be properly terminated. Failure to properly install connectors, fuses or wiring may cause vehicle failure or fire. Follow crimp connector manufacturer instructions.
- DO NOT install this product or route any wires in the Air Bag Deployment Zone. Refer to vehicle Owner's Manual for deployment zones.
- Unit may become hot to touch during normal operation.
- Installation must only be performed by trained technician. Installer must determine vehicle wiring configuration and proper integration of system.
- Use proper wire gauge, an increase in wire gauge may be necessary for longer runs.
- Install protective grommets when routing wire through firewall or metal.



1.800.338.7337 / [www.soundoffsignal.com](http://www.soundoffsignal.com)

**INTRODUCTION:**

| CONTENTS |                                |
|----------|--------------------------------|
| QTY      | COMPONENT                      |
| 1        | SPEAKER BRACKET                |
| 4        | 1/4"-20 HEX HEAD BOLT          |
| 4        | 1/4"-20 LOCK NUT               |
| 4        | 1/4" FLAT WASHER               |
| 1        | INSTALLATION INSTRUCTION SHEET |
| 1        | PRODUCT WARNING CARD           |

\*Speaker and bail bracket, sold separately  
\*\*Hardware provided for up to two speakers

**BRACKET COMPATIBLE WITH SPEAKERS:**

**-100J  
-100U**

**NOTICE:**

Installers and users must comply with all applicable federal, state and local laws regarding use and installation of warning devices.

*Improper use or installation may void warranty coverage.*

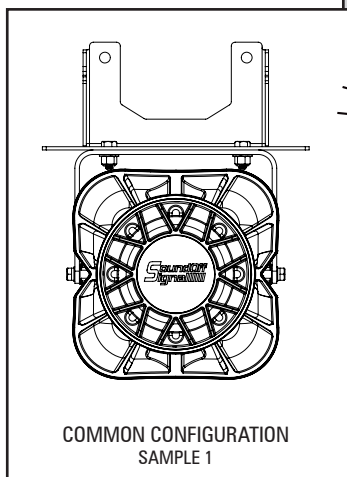
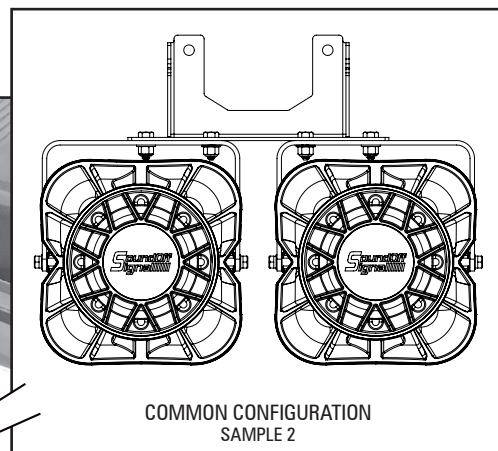
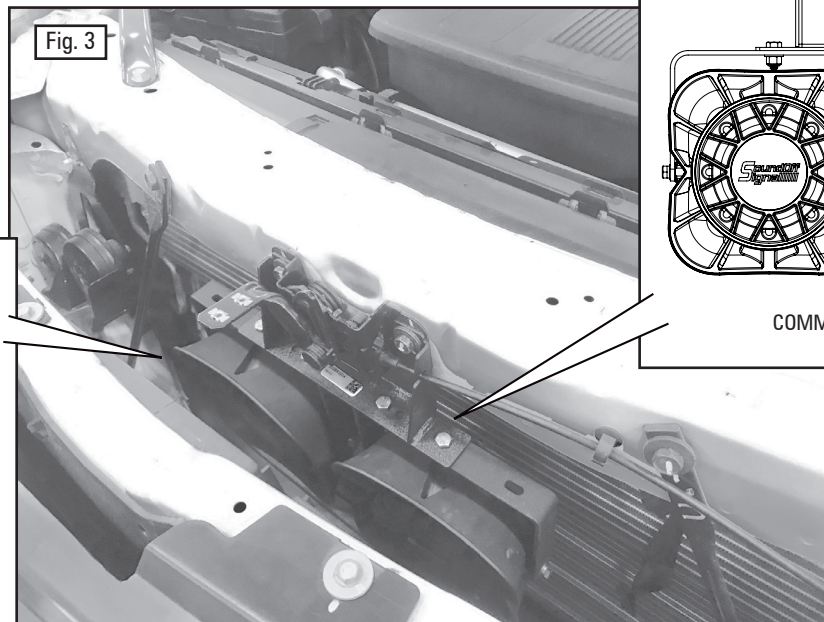
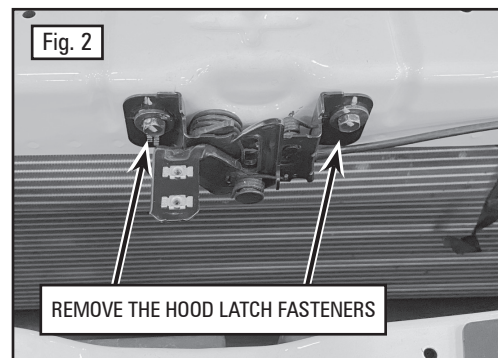
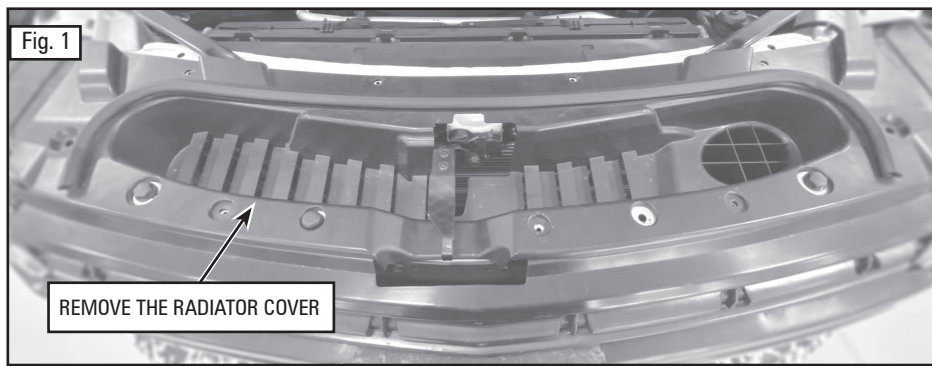
To review our Limited Warranty Statement & Return Policy for this or any SoundOff Signal product, visit our website at [www.soundoffsignal.com/tech-services/returns/](http://www.soundoffsignal.com/tech-services/returns/).

If you have questions regarding this product, contact **Technical Services**, Monday - Friday, 8 a.m. to 5 p.m. ET at **1.800.338.7337** (press #4).

Questions or comments that do not require immediate attention may be emailed to [techservices@soundoffsignal.com](mailto:techservices@soundoffsignal.com).

ENHANCING SAFETY THROUGH INNOVATION

**100J/100U SERIES SPEAKER BRACKET (NO DRILL) CAPABLE OF HOLDING UP TO TWO SPEAKERS FOR THE CHEVROLET TAHOE PURSUIT & CIVILIAN VEHICLES 2020 - 2023, HOOD LATCH MOUNT**  
ETSSVBK07



**INSTALLATION:**

1. With the hood open, remove the upper, plastic radiator cover on the front of the vehicle, as seen in Fig. 1.

**PRO TIP:** Should additional space be desired, the grille can also be removed. Consult a Chevrolet Service Center for best disassembly method. Keep all hardware.

2. Using the provided 1/2-20 hex bolts and nuts, attach the speaker and bail bracket to the speaker bracket. The speaker bracket can hold a maximum of two speakers. See Fig. 3 for common configurations.

**PRO TIP:** Tighten to 10 ft-lb.

3. Locate and remove the two fasteners for the hood latch assembly, as shown in Fig. 2.

4. With the hood latch assembly still in its original place, carefully insert the speaker bracket assembly into the space in front of the radiator.

5. Attach the speaker bracket to the vehicle using the two hood latch assembly fasteners, as shown in Fig. 3. Tighten to manufacturer's specifications.

6. Ensure the speakers are connected to a siren source.

7. Check proper functionality.

8. Reinstall the front grille, if removed, and the upper, plastic radiator cover, according to manufacturer's specifications.

**NOTICE:**

Installers and users must comply with all applicable federal, state and local laws regarding use and installation of warning devices.

*Improper use or installation may void warranty coverage.*

To review our Limited Warranty Statement & Return Policy for this or any SoundOff Signal product, visit our website at [www.soundoffsignal.com/tech-services/returns/](http://www.soundoffsignal.com/tech-services/returns/).

If you have questions regarding this product, contact **Technical Services**, Monday - Friday, 8 a.m. to 5 p.m. ET at 1.800.338.7337 (press #4).

Questions or comments that do not require immediate attention may be emailed to [techservices@soundoffsignal.com](mailto:techservices@soundoffsignal.com).

