



LED Warning Strobes by SoundOff Signal®

Make your truck more visible
with front and rear high-
mount LED Warning
Strobes

Important
PLACE THIS
INSTRUCTION INTO
GLOVE BOX

FOUR CORNER STROBE LIGHT ASSEMBLY KITS

- | | |
|--------------|--------------------------------|
| ET4CCL01AAB | Vehicle Uprifter Switch |
| ET4CCL01AABA | Switch Included Adobe |
| ET4CCL01AABB | Switch Included Charcoal Black |
| ET4CCL01AABG | Switch Included Steel Grey |



Go Further

SoundOff
Signal
Smart Design.®

custom
accessories





E
N
G
L
I
S
H

IMPORTANT NOTICE TO INSTALLER: Make sure to read and understand all instructions and warnings before proceeding with the installation of this product. Proper installation of the lights requires the installer to have a thorough knowledge of automotive electronics, systems, and procedures. The LED lights provide an essential function of an effective visual warning system. The use of the light assemblies does not insure that all drivers can or will abide by or react to an emergency warning signal, especially at high rates of speeds or long distances. The operator of the vehicle must never take the right of way for granted and it is the operator's responsibility to proceed safely. The effectiveness of the light assemblies are highly dependent on the correct mounting and wiring. The installer must read and follow the manufacturer's installation instructions and warnings in the manual. The vehicle operator should verify daily that the lights are securely fastened to the vehicle and properly functioning before operating vehicle. It is the user's responsibility to ensure they understand and operate the emergency warning devices in compliance with the applicable city, state and federal laws and regulations. SoundOff Signal assumes no liability for any loss resulting from the use of this warning device.

S
P
A
N
I
S
H

AVISO IMPORTANTE PARA INSTALADOR: Asegúrese de leer y comprender todas las instrucciones y advertencias antes de proceder con la instalación de este producto. La correcta instalación de las luces se requiere que el instalador tenga un profundo conocimiento de electrónica de automóviles, sistemas y procedimientos. Las luces de LED proporcionan una función esencial de un eficaz sistema de alerta visual. El uso de los conjuntos de luces no asegura que todos los conductores pueden o se acata ni reaccionar a una situación de emergencia señal de advertencia, especialmente por las altas tasas de velocidad o largas distancias. El operador del vehículo nunca debe tener el derecho de paso para concedido y el operador es el responsable de proceder con seguridad. La eficacia de los conjuntos de luces son altamente dependientes de la correcta fijación y el cableado. El instalador debe leer y seguir las instrucciones de instalación del fabricante y las advertencias en el manual. El operador del vehículo debe comprobar diariamente que las luces se encuentren ajustadas de manera segura en el vehículo y que funcione correctamente antes de poner en funcionamiento el vehículo. Es responsabilidad del usuario asegurarse de que entienden la emergencia y operar dispositivos de advertencia en el cumplimiento de la ciudad, las leyes y reglamentos estatales y federales. SoundOff Signal no asume ninguna responsabilidad por cualquier pérdida que resulte del uso de este dispositivo de aviso.

F
R
E
N
C
H

AVIS IMPORTANT POUR L'INSTALLATEUR : Lisez et comprenez toutes les instructions et mises en garde avant de procéder à l'installation de ce produit. L'installateur doit posséder d'excellentes connaissances de l'électronique, des systèmes et des procédures de l'industrie automobile pour réaliser une installation appropriée. Les lampes DEL assument une fonction essentielle dans l'efficacité du dispositif d'alerte visuelle. L'utilisation des assemblages de lampes ne garantit pas que tous les chauffeurs peuvent se conformer ou respecteront ou réagiront à un signal d'alerte, surtout à des vitesses élevées ou sur de longues distances. Le chauffeur du véhicule ne doit jamais tenir pour acquis le droit de passage et la responsabilité de s'assurer qu'il s'engage en toute sécurité lui incombe. L'efficacité des assemblages de lampes est hautement dépendante d'un bon montage et d'un bon câblage. L'installateur doit lire et suivre les instructions de montage et les mises en garde du fabricant indiquées dans le manuel. Le chauffeur du véhicule, quant à lui, doit vérifier chaque jour que les lampes sont bien fixées au véhicule et qu'elles fonctionnent correctement avant de conduire le véhicule. Il incombe aux utilisateurs de s'assurer qu'ils ont compris et qu'ils savent comment faire fonctionner les dispositifs d'alerte conformément aux lois et aux règlements de la ville, de la province ou du territoire et fédéraux en vigueur. SoundOff Signal n'assume aucune responsabilité relativement aux dommages provenant de l'utilisation de ce dispositif d'alerte.



FOUR CORNER LED WARNING LIGHT LIMITED WARRANTY

All Ford part numbers provided by SoundOff Signal are warranted to be free from defects in materials or workmanship on products properly installed per the installation instructions provided with the product. This warranty period covers repair or replacement of any defective product at no charge during the applicable warranty period listed below. Labor for replacement or service of defective product is not paid or reimbursed by SoundOff Signal.

WARRANTY PERIOD

	USA	Outside USA
Product which appears on the New Vehicle Monroney Label [window sticker)	3 years or 36 000 miles whichever comes first	3 years or 60 000 kilometers whichever comes first
Part purchased and installed during or after the original vehicle warranty	Whichever of the following two options is greater: 1] 2 years/unlimited mileage, or 2) The remainder of the new vehicle warranty	Whichever of the following two options is greater: 1] 2 years/unlimited kilometers, or 2) The remainder of the new vehicle warranty

This limited warranty does not cover any damage, defect or malfunction caused by misuse, abuse, accident, improper installation, modification, or improper or lack of maintenance. Incidental and consequential damages are not recoverable under this warranty. This warranty offers you specific legal rights. You may have additional or other rights as which vary from state to state or province to province.

If you experience a warranty issue with this product, please visit your Ford Dealer. If the repair is covered by the warranty above and completed by the dealership, labor is also covered -Ford Warranty and Policy -- Section 3. Please note that SoundOff Signal has replacement component parts available to assist consumers and dealers to resolve warranty and non-warranty issues as quickly as possible.

Note to dealer

Ford dealers should contact SoundOff Signal by phone at 800.338.7337

or by email to: techservices@soundoffsignal.com.



WARNING MESSAGE

Directing high pressure water at the GHOST® or Intersector perimeter lights can result in water penetration that will cause a significant reduction in lighting performance or failure.



GARANTÍA LIMITADA DE LUCES DE ADVERTENCIA LED DE LAS CUATRO ESQUINAS

Todas las partes Ford que proporciona SoundOff Signal están garantizadas de no tener defectos en los materiales y la fabricación en productos instalados correctamente de acuerdo con las instrucciones que se entregan con el producto. Esta garantía cubre la reparación o el reemplazo de cualquier producto defectuoso sin costo durante el periodo de garantía aplicable descrito a continuación. SoundOff Signal no paga ni reembolsa el costo de mano de obra por reemplazo o servicio de productos defectuosos.

PERIODO DE GARANTÍA

	Estados Unidos	Fuera de los Estados Unidos
Producto que aparece en la etiqueta del nuevo vehículo Monroney (etiqueta de la ventanilla)	3 años o 36,000 millas, lo que ocurra primero	3 años o 60,000 kilómetros, lo que ocurra primero
Parte comprada e instalada durante o después de la garantía original del vehículo.	Cualquiera de las siguientes dos opciones siguientes que sea mayor: 1) 2 años/millaje ilimitado 2) Lo que reste de la garantía del vehículo nuevo	Cualquiera de las siguientes dos opciones siguientes que sea mayor: 1) 2 años/kilometraje ilimitado 2) Lo que reste de la garantía del vehículo nuevo

La garantía limitada no cubre ningún daño, defecto o mal funcionamiento causado por mal uso, abuso, accidente, instalación inadecuada, modificación, o mantenimiento inadecuado o falta de mantenimiento. Los daños incidentales y consecuentes no son recuperables de conformidad con esta garantía. Esta garantía le ofrece derechos legales específicos. Listed puede tener derechos adicionales u otros que varían de un estado a otro o de una provincia a otra.

Si experimenta un problema de garantía con este producto, acuda a un concesionario Ford. Si la reparación esta cubierta por la garantía descrita arriba y el concesionario la realice, la mano de obra también esta cubierta, Garantía y Poliza de Ford, Sección 3.

Por favor tome nota de que SoundOff Signal tiene partes de reemplazo disponibles para ayudar a consumidores y concesionarios a resolver, con la mayor prontitud posible, problemas cubiertos por la garantía y no cubiertos por la garantía.

Nota para el concesionario:

Los concesionarios Ford deberdn comunicarse a SoundOff Signal por telefono al numero 800-338-3773 o por correo electronico a techservices@soundoffsignal.com



TÉMOIN D'ALERTE DEL QUATRE COINS GARANTIE LIMITÉE

Tous les numéros de pièces de Ford fournis par SoundOff Signal sont garantis contre tout défaut de matériel et de fabrication sur les produits installés correctement conformément aux instructions fournies avec le produit. Cette période de garantie couvre gratuitement la réparation ou le remplacement de tout produit défectueux durant la période de garantie indiquée ci-dessous. Les frais de main-d'œuvre pour le remplacement ou la réparation du produit défectueux ne sont ni payés ni remboursés par SoundOff Signal.

PÉRIODE DE GARANTIE

	É.-U.	En dehors des É.-U.
Le produit qui apparaît sur l'étiquette Monroney de nouveau véhicule (étiquette apposée sur la fenêtre du véhicule)	3 ans ou 36 000 milles, le premier des deux prévalant	3 ans ou 60 000 kilomètres, le premier des deux prévalant
Les pièces achetées et installées durant ou après la garantie originale du véhicule.	Selon la plus élevée des deux options suivantes : 2 ans/kilométrage illimité, ou Le reste de la garantie du véhicule neuf	Selon la plus élevée des deux options suivantes : 2 ans/kilométrage illimité, ou Le reste de la garantie du véhicule neuf

Cette garantie limitée ne s'étend pas aux dommages, défauts ou mauvais fonctionnements provoqués par une mauvaise utilisation, des abus, des accidents, une mauvaise installation, des modifications, un mauvais entretien ou un manque d'entretien. Les dommages indirects et consécutifs ne sont pas couverts par cette garantie. Cette garantie vous octroie des droits juridiques précis. Vous pouvez avoir d'autres droits qui varient d'un État à l'autre ou d'une province à l'autre.

Si vous avez un problème de garantie avec ce produit, veuillez aller chez votre concessionnaire Ford. Si la réparation est couverte par la garantie ci-dessus et effectuée par le concessionnaire, la main-d'œuvre est également couverte -- Garantie et politique de Ford -- section 3.

Veuillez noter que des pièces de rechange destinées à aider les consommateurs et les concessionnaires sont disponibles auprès de SoundOff Signal afin de résoudre les problèmes de garantie et de non-garantie aussi vite que possible.

Note au concessionnaire :

Les concessionnaires Ford doivent contacter SoundOff Signal par téléphone au 800-338-7337 ou par courriel à : techservices@soundoffsignal.com.

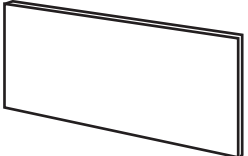
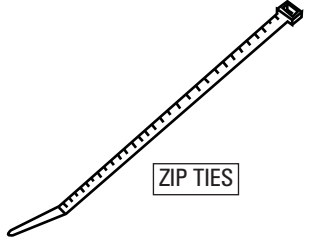
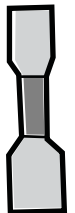
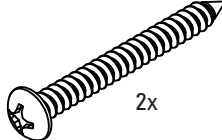
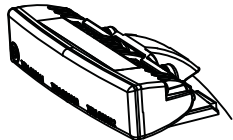

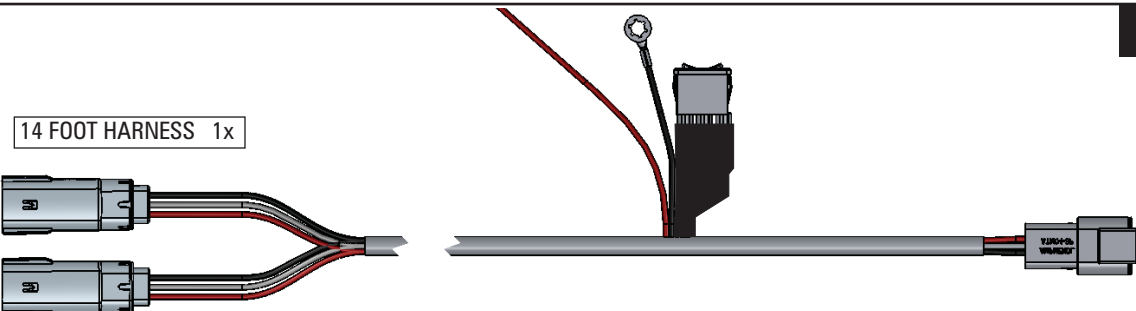
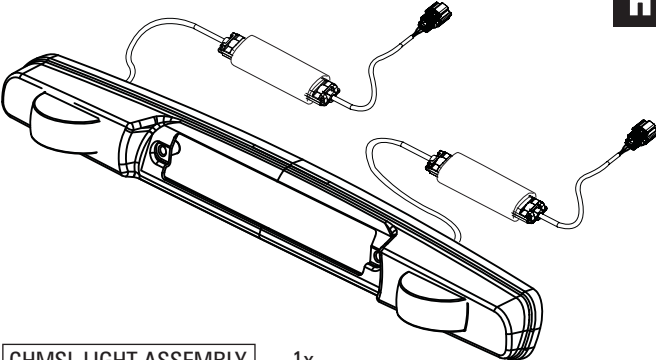


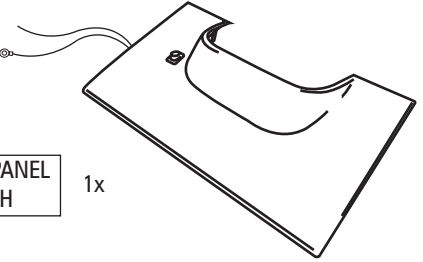
custom accessories

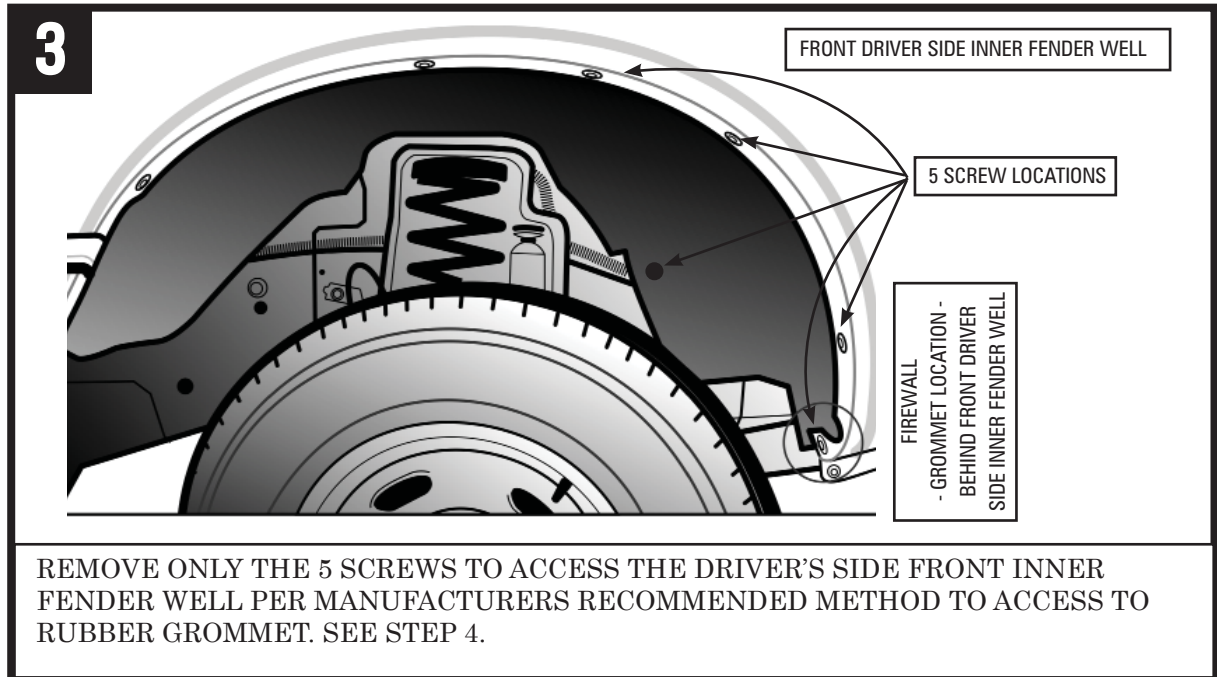
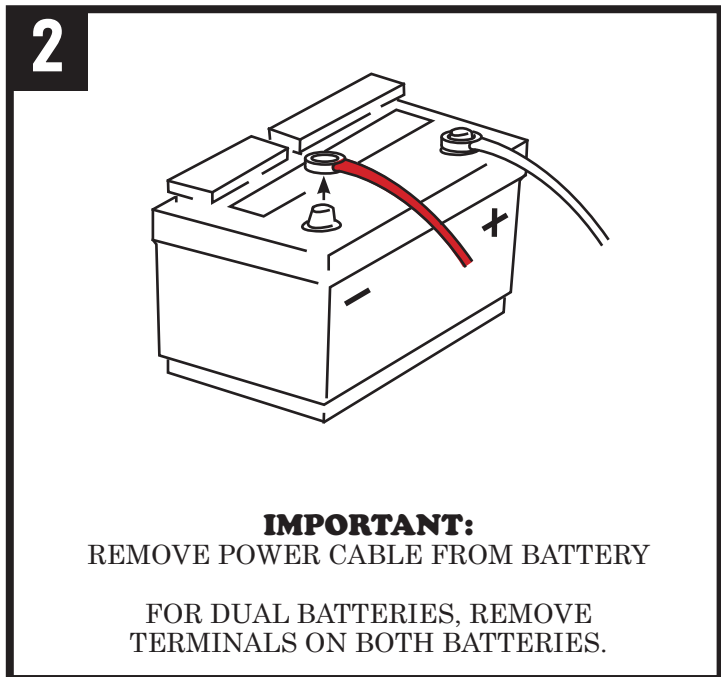
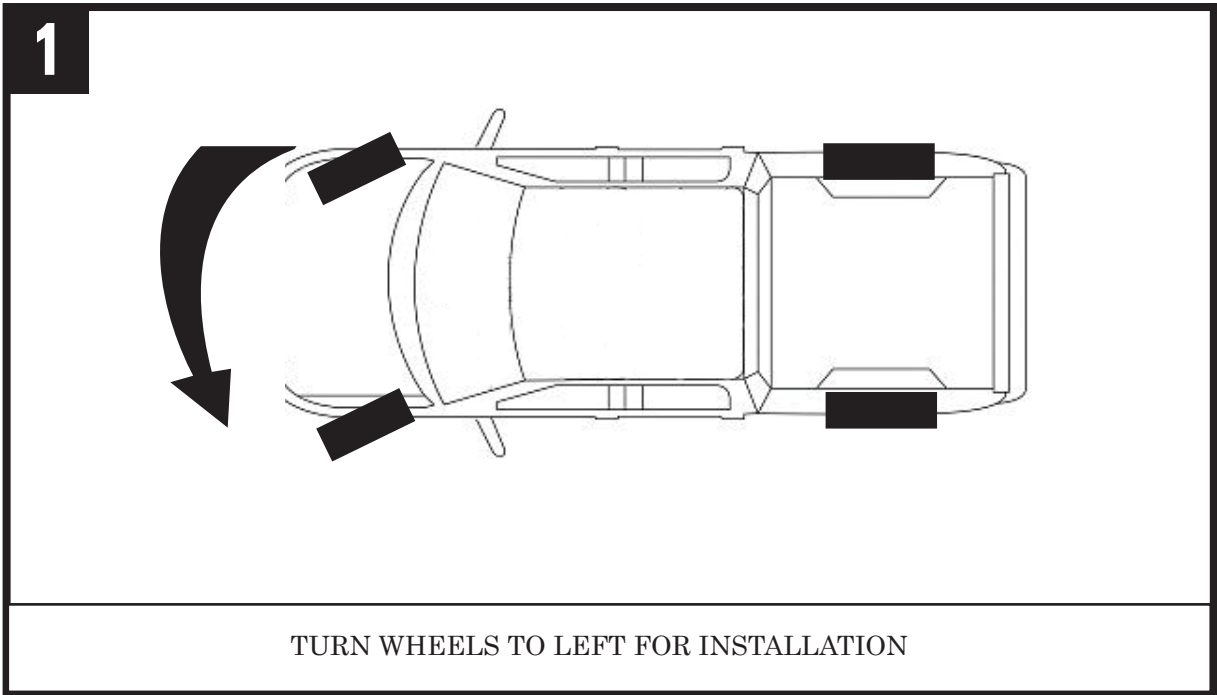


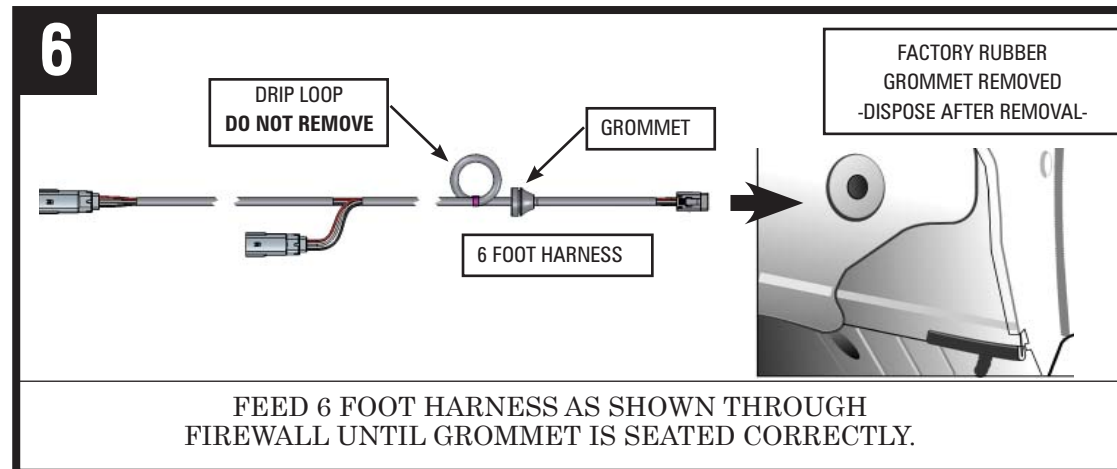
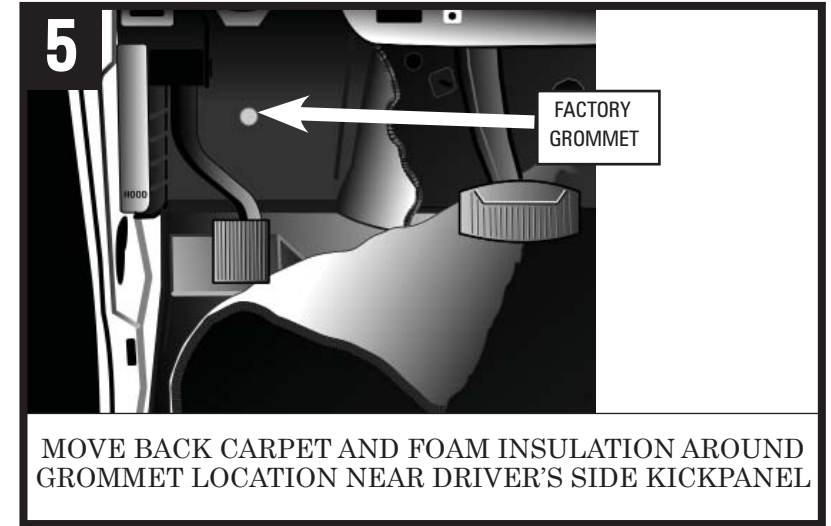
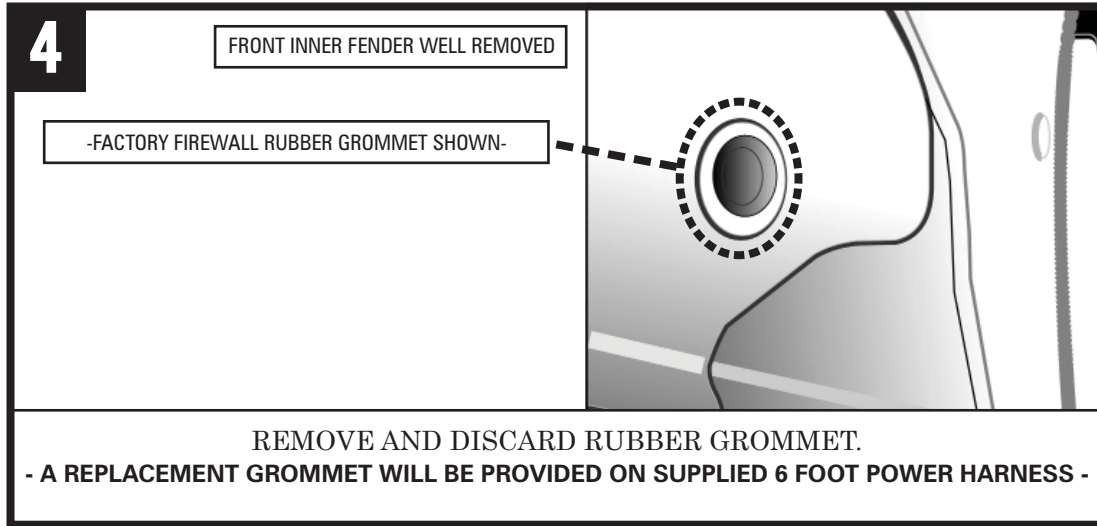
TOOLS REQUIRED

- * Electrical tape
- * Phillips head screwdriver
- * Ratchet w/ 8mm socket
- * Metric Allen head wrench set
- * Auto trim panel removal tool set
- * Torque wrench
- * Torx bit T25
- * Torx bit T50

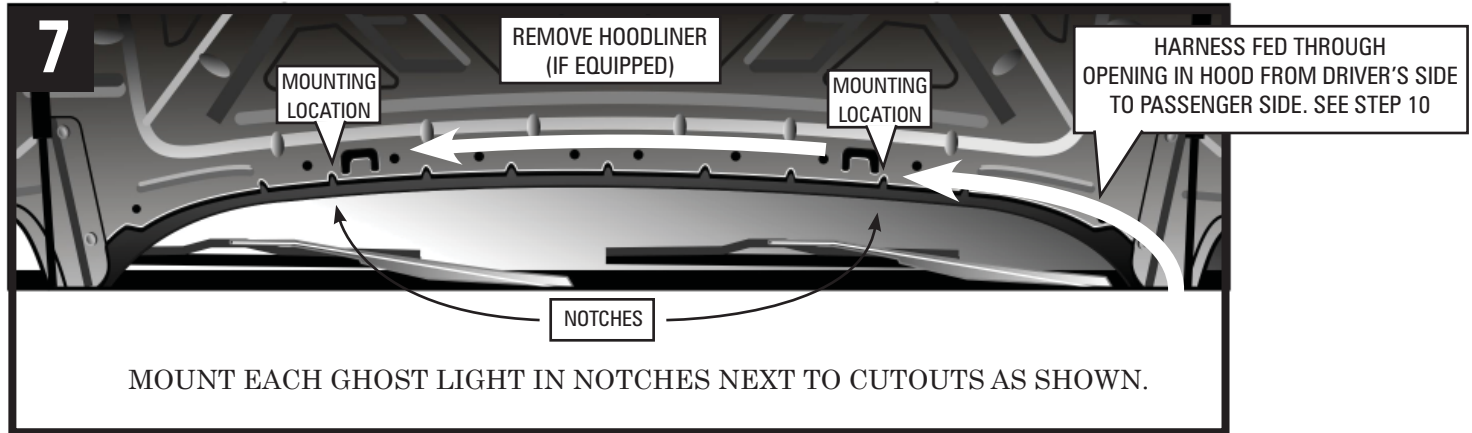
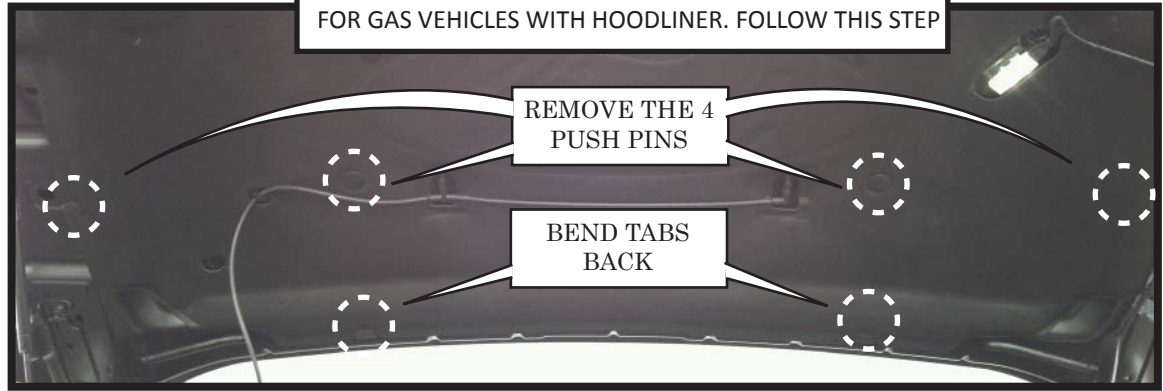
CONTENTS

HARDWARE	A	 FOAM PAD 1x	B	 ZIP TIES 9x	C	 SOLDER/ HEAT SHRINK BUTT CONNECTOR 1x	D	 SHEETMETAL SCREWS 2x	E	 GHOST LIGHTS WITH MOUNTING HARDWARE 2x	
	HARNESSES	F		 6 FOOT HARNESS 1x		G		 14 FOOT HARNESS 1x		H	 CHMSL LIGHT ASSEMBLY 1x
		K		 SOUNDOFF WARNING LABEL		J		 TEMPORARY LABEL		I	 INTERIOR KNEE PANEL WITH SWITCH 1x (NOT INCLUDED WITH UPFITTER SWITCH KIT)
		STROBE									

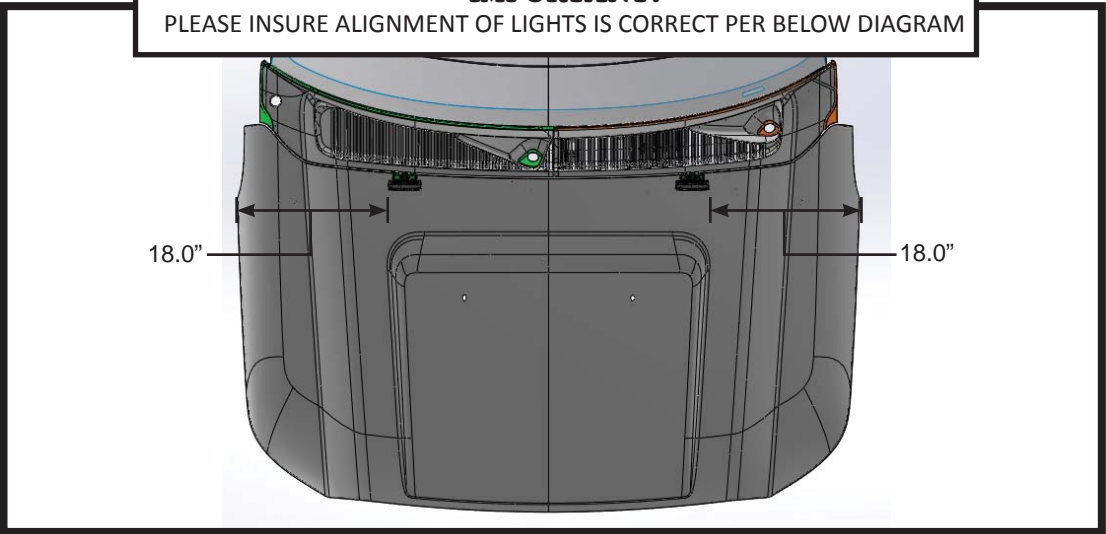




IMPORTANT:
FOR GAS VEHICLES WITH HOODLINER. FOLLOW THIS STEP



IMPORTANT:
PLEASE INSURE ALIGNMENT OF LIGHTS IS CORRECT PER BELOW DIAGRAM

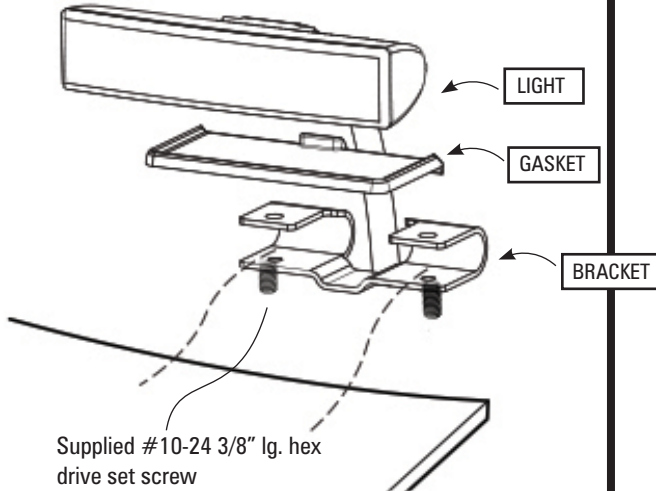


FRONT GHOST LIGHT ASSEMBLY

8

FRONT GHOST LIGHT ASSEMBLY

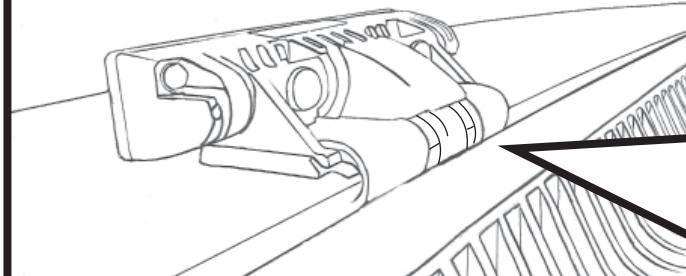
IMPORTANT:
NOTE DRIVER'S SIDE (DS) AND PASSENGER SIDE (PS) LABELING ON HARNESS



FOR THE INSTALLATION PROCEDURE OF THE GHOST LIGHT TO THE HOOD OF TRUCK, PLEASE SEE STEP 7 FOR MOUNTING LOCATIONS.

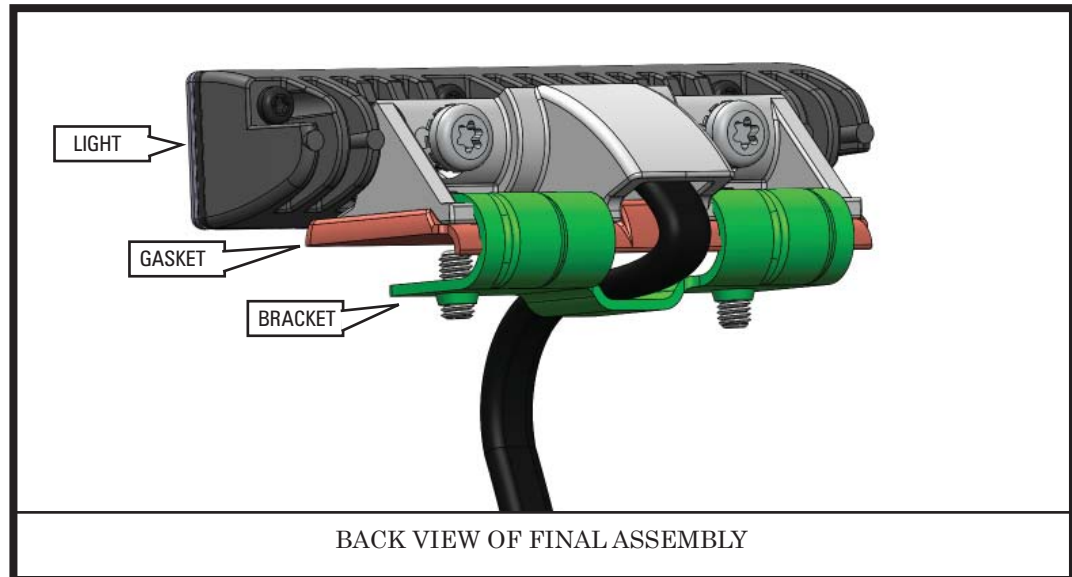
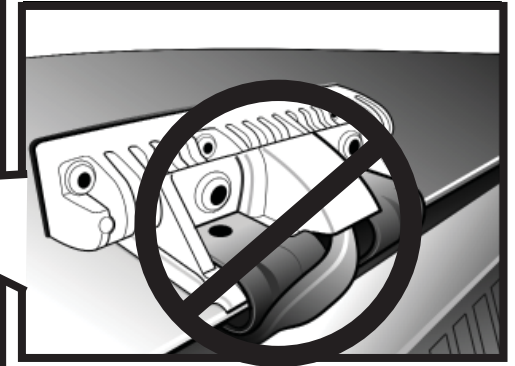
9

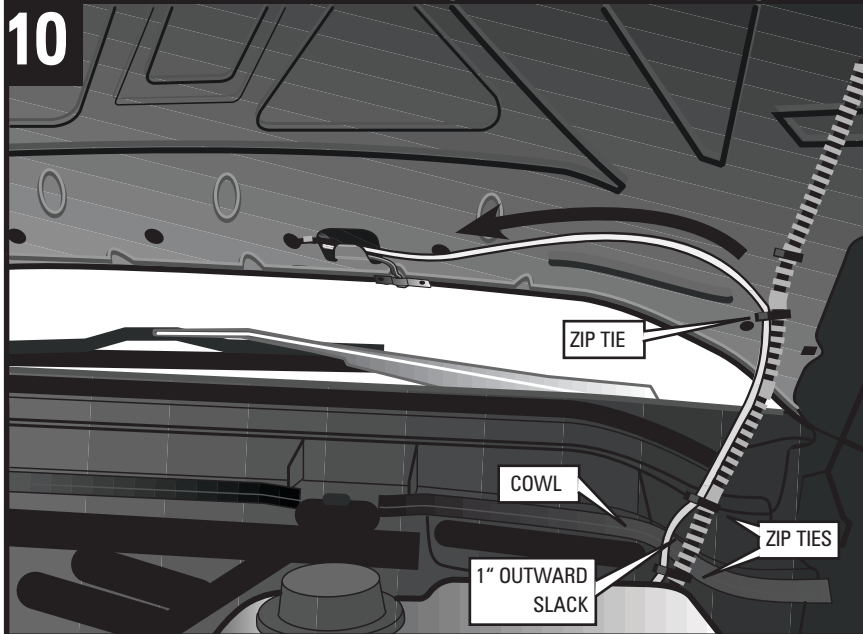
IMPORTANT:
BEFORE TIGHTENING, MAKE SURE GHOST LIGHTS ARE SYMMETRICAL TO CHARACTER LINES ON OUTER SIDE OF HOOD



AFTER INSTALLATION, VERIFY THE CABLE FROM THE LIGHT ASSEMBLY IS TUCKED CORRECTLY UNDER THE HOOD.

IMPORTANT:
AVOID PINCHING CABLE

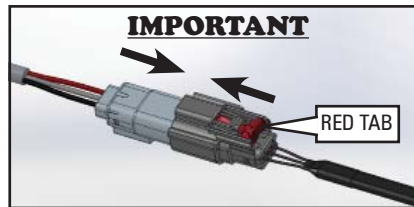




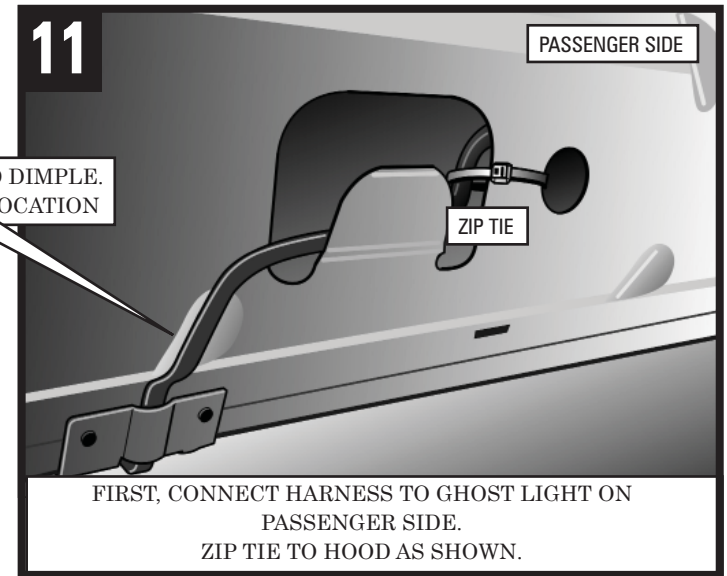
FEED HARNESS TO GHOST LIGHT THROUGH ACCESS HOLE.
ZIP TIE TO EXISTING HARNESS AS SHOWN IN 3 LOCATIONS.

IMPORTANT:

THE INSTALLER IS TO CONFIRM THE PROPER ROUTING AND SECURING OF THE 4 CORNER STROBE HARNESS BY OPENING AND CLOSING THE HOOD WHILE MONITORING THAT NO BINDING, CONTACT WITH COWL, OR ANY OTHER INTERFERENCE EXISTS WITH THE 4 CORNER STROBE HARNESS AND OTHER COMPONENTS.

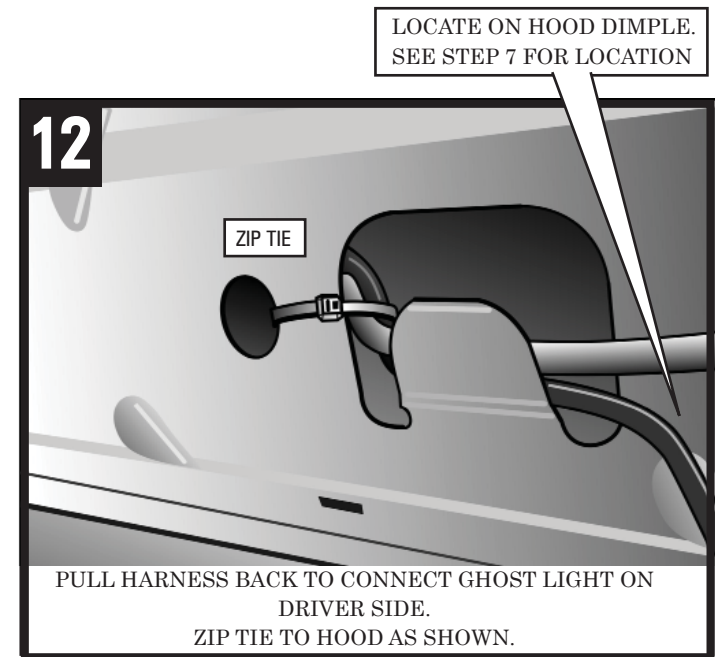


IMPORTANT
PUSH RED TAB FORWARD TO LOCK CONNECTORS



LOCATE ON HOOD DIMPLE.
SEE STEP 7 FOR LOCATION

FIRST, CONNECT HARNESS TO GHOST LIGHT ON PASSENGER SIDE.
ZIP TIE TO HOOD AS SHOWN.

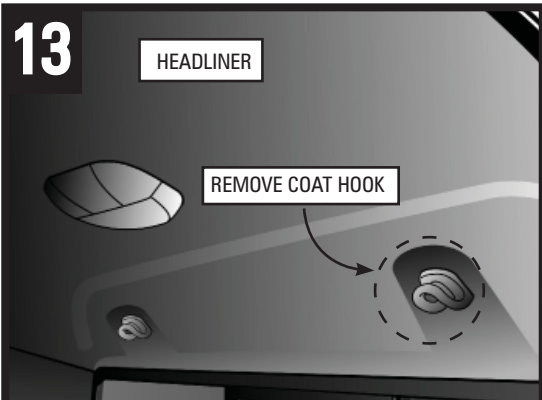


LOCATE ON HOOD DIMPLE.
SEE STEP 7 FOR LOCATION

PULL HARNESS BACK TO CONNECT GHOST LIGHT ON DRIVER SIDE.
ZIP TIE TO HOOD AS SHOWN.

14 FOOT HARNESS INSTALLATION (REAR LIGHTING)

13



HEADLINER

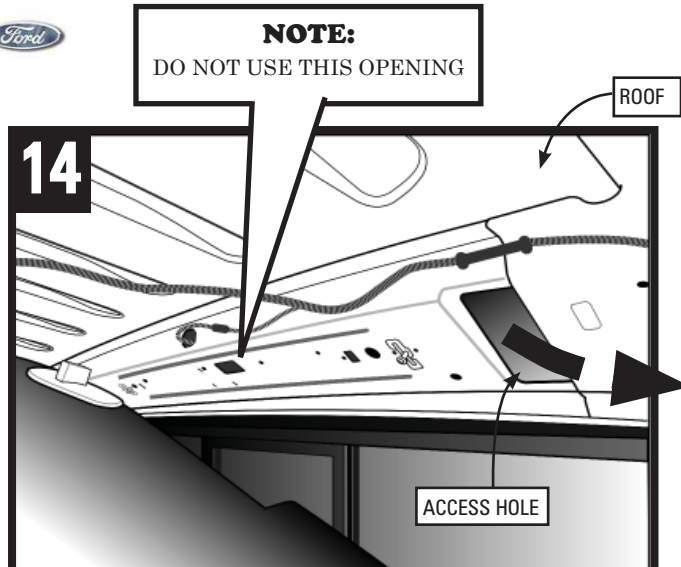
REMOVE COAT HOOK

A. REMOVE REAR DRIVER'S SIDE COAT HOOK.

B. DROP DRIVER'S SIDE BACK CORNER OF HEADLINER AS SHOWN ON STEP 14

14

NOTE:
DO NOT USE THIS OPENING

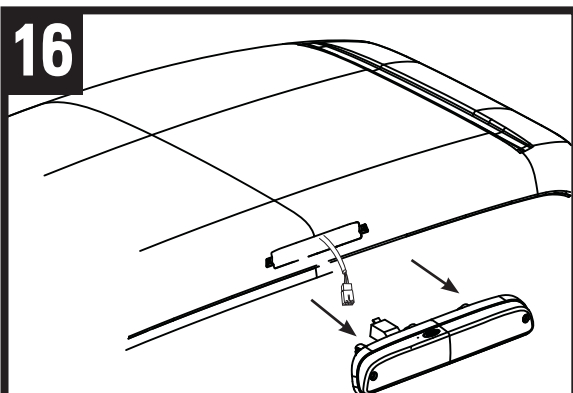


ROOF

ACCESS HOLE

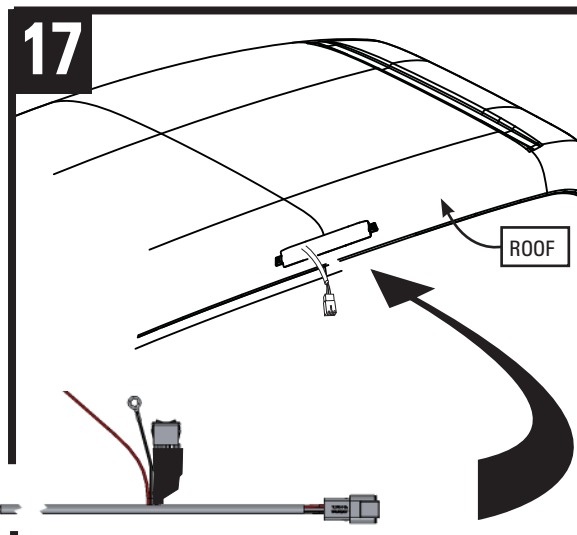
CONTINUE ROUTING 14 FOOT HARNESS

16



REMOVE STOCK REAR FACTORY LIGHT ASSEMBLY FROM CAB OF VEHICLE.
-DISCARD OLD SCREWS-

17



ROOF

FEED 14 FOOT HARNESS THROUGH REAR FACTORY LIGHT ASSEMBLY ACCESS HOLE, AS SHOWN.

15

IMPORTANT:
TORQUE SEATBELT CLIP TO 40 Nm +/- 6 Nm WHEN RE-ASSEMBLING

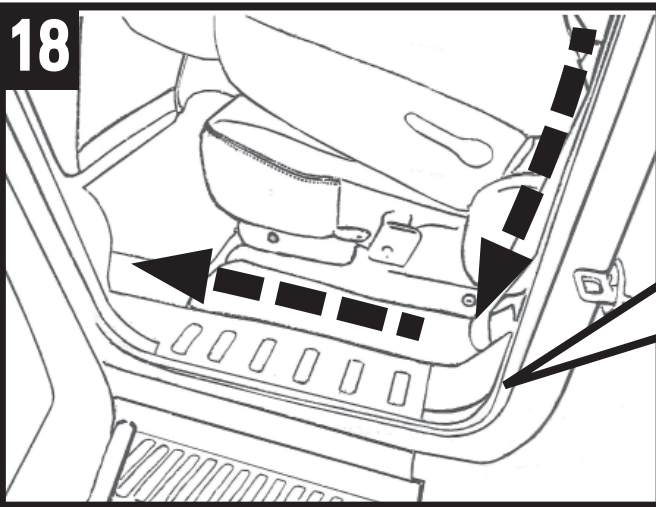
NOTE:
PLACE ANY EXTRA WIRE FROM 14 FOOT HARNESS ROLLED UP BEHIND BOTTOM OF "D" PILLAR. ON EXTENDED CABS PLACE ADDITIONAL WIRE BEHIND KICKPANEL ON DRIVER'S SIDE.

NOTE:
REGULAR CABS ONLY
MAKE SURE SEAT BELT IS ADJUSTED TO TOP AND WIRE DOES NOT CAUSE RESTRICTION TO SEAT BELT ADJUSTER.

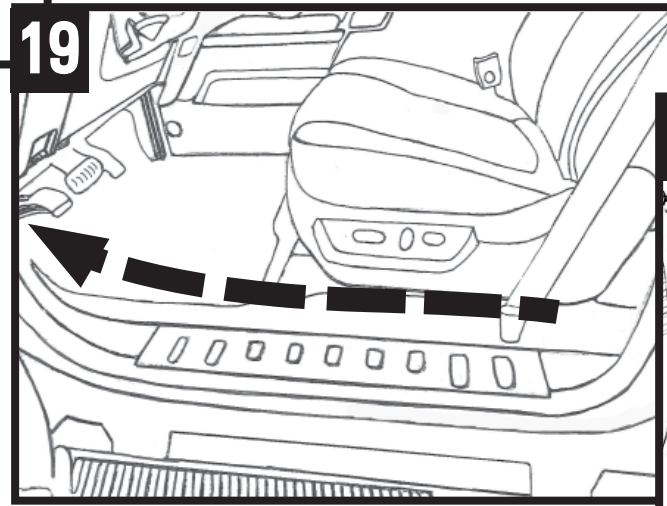
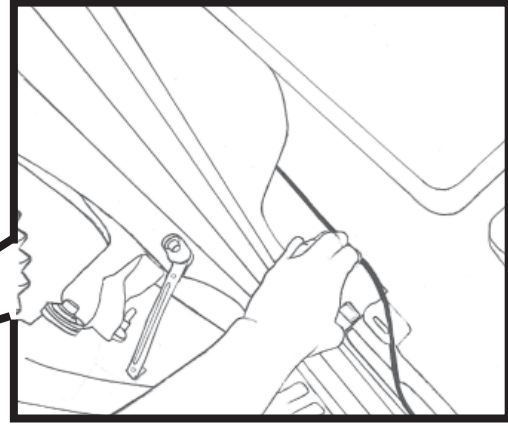
NOTE:
EXTENDED CABS ONLY
REMOVE SEAT BACK PRIOR TO REMOVING TRIM PANEL

A. REMOVE SEAT BELT AND SIDE PANEL USING A T-50 TORX BIT.

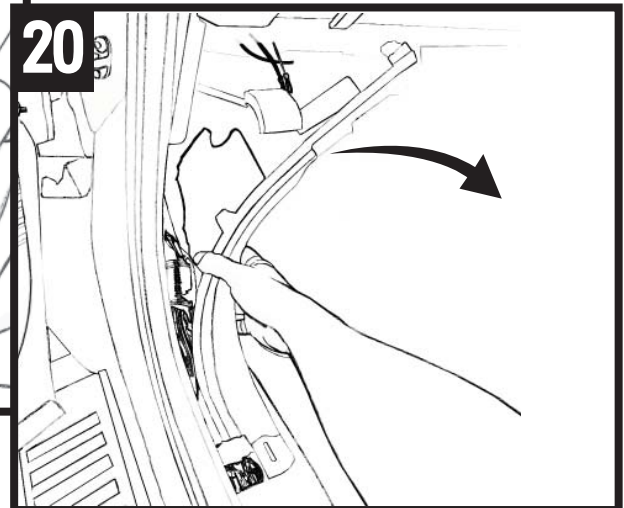
B. ROUTE WIRE AND ZIP TIE TO EXISTING HARNESS IN 3 PLACES ALONG C PILLAR.



18
REMOVE ROCKER PANEL. FEED WIRE TO FRONT OF VEHICLE. LAY WIRE IN RAIN GUTTER NEXT TO THE EXISTING VEHICLE HARNESS.



19



20

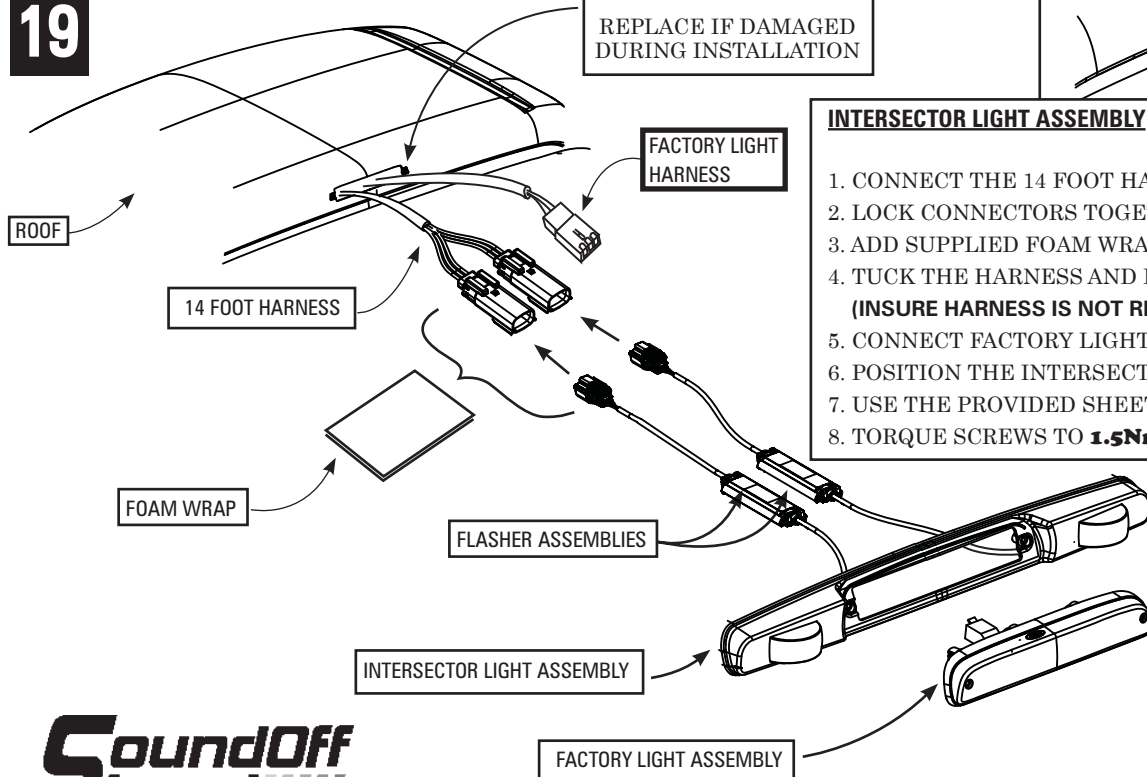
REMOVE KICK PANEL FROM DRIVER SIDE TO ROUTE 14 FOOT HARNESS TO UNDERNEATH DASH

IMPORTANT:

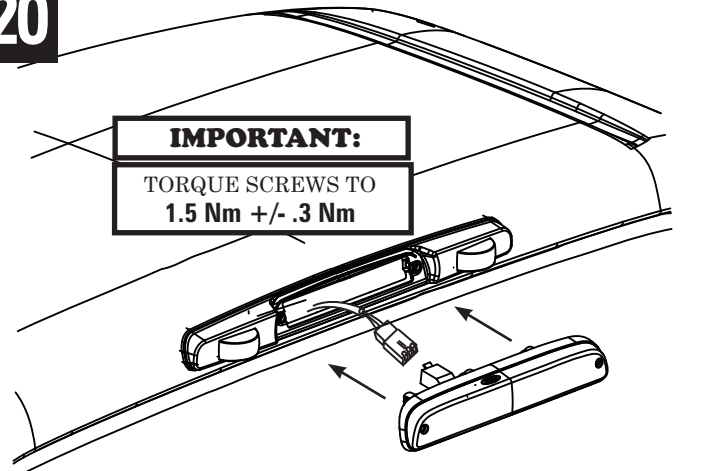
BEFORE TIGHTENING SCREWS HOLD ASSEMBLY TIGHT TO VEHICLE. INSURE NO GAPS ON TOP AND/ OR BOTTOM BETWEEN INTERSECTOR LIGHT ASSEMBLY AND VEHICLE'S FACTORY LIGHT ASSEMBLY. HOLD IN PLACE TIGHT UNTIL SCREWS SET TO CORRECT TORQUE.

PLASTIC NUT INSERT
PART # W712852-S300
REPLACE IF DAMAGED
DURING INSTALLATION

19



20



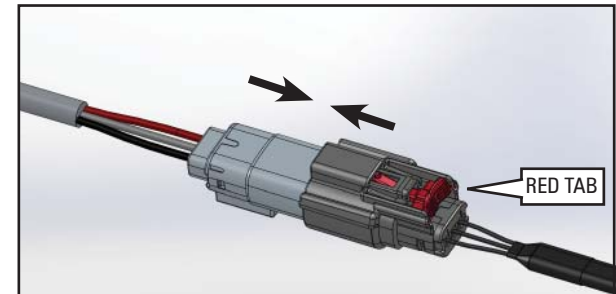
IMPORTANT:

TORQUE SCREWS TO
1.5 Nm +/- .3 Nm

INTERSECTOR LIGHT ASSEMBLY

1. CONNECT THE 14 FOOT HARNESS TO INTERSECTOR LIGHT ASSEMBLY CONNECTORS.
2. LOCK CONNECTORS TOGETHER, SEE FIGURE BELOW.
3. ADD SUPPLIED FOAM WRAP AROUND CONNECTORS OF 14 FOOT HARNESS.
4. TUCK THE HARNESS AND FLASHER ASSEMBLY INSIDE THE ROOF COMPARTMENT.
(INSURE HARNESS IS NOT RESTRICTING LIGHT FROM SEATING TO BEZEL AND BEZEL TO VEHICLE)
5. CONNECT FACTORY LIGHT CONNECTOR TO FACTORY LIGHT ASSEMBLY.
6. POSITION THE INTERSECTOR LIGHT ASSEMBLY IN THE FACTORY LIGHT ASSEMBLY LOCATION.
7. USE THE PROVIDED SHEETMETAL SCREWS TO MOUNT THE LIGHT ASSEMBLY TO THE VEHICLE.
8. TORQUE SCREWS TO **1.5Nm +/- .3 Nm. DO NOT OVER TIGHTEN**

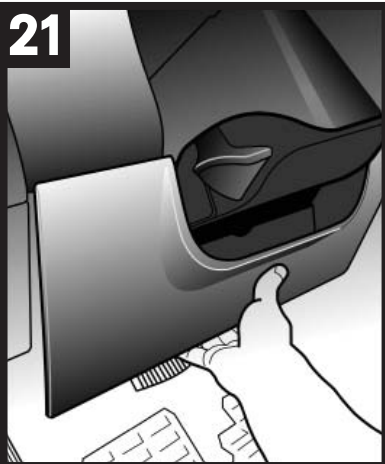
IMPORTANT



PUSH RED TAB FORWARD TO
LOCK CONNECTORS

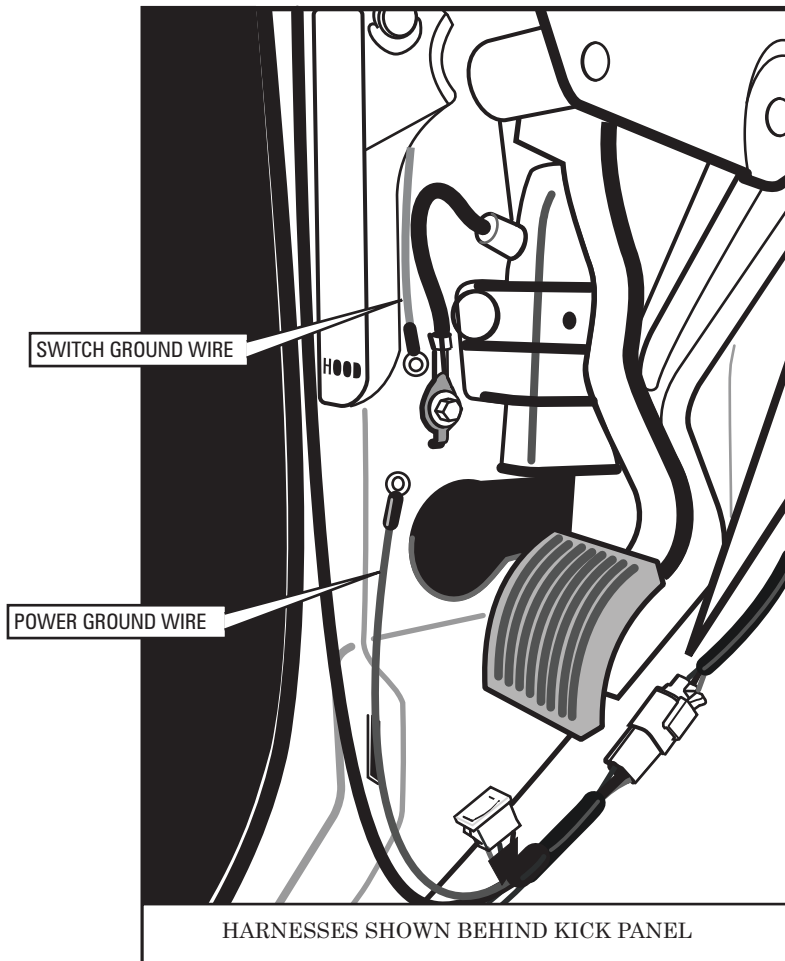
REMOVE STOCK KNEE PANEL

21



UNSNAP PANEL. NO TOOLS REQUIRED
-DISPOSE AFTER REMOVAL-

22



IMPORTANT:
MAKE SURE WIRING DOES NOT INTERFERE
WITH EMERGENCY BRAKE FUNCTION

NOTE:
ONCE BOTH 6 FOOT HARNESS AND 14 FOOT
HARNESS ARE FED THROUGH THE CAB OF THE
VEHICLE,
ELECTRICAL CONNECTIONS CAN BE DONE
UNDERNEATH DASHBOARD.

23a

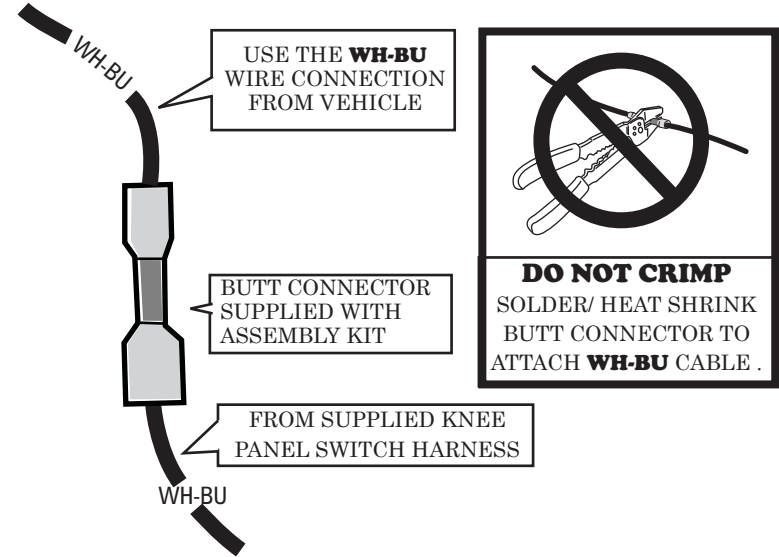
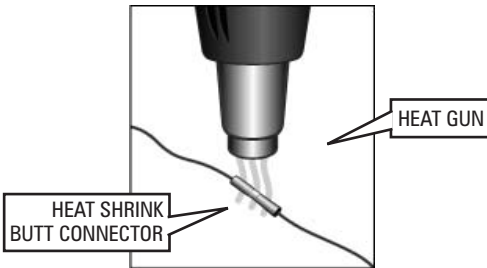
VEHICLES WITHOUT UPFITTER SWITCHES

IMPORTANT:
DO NOT SOLDER WHITE/ PURPLE WIRE.

WH-BU WIRE LOCATION
EXISTING POWER WIRE LEADS
NO CUTTING INTO LOOM NEEDED

VT-GN WIRE LOCATION
EXISTING POWER WIRE LEADS
NO CUTTING INTO LOOM NEEDED
-SEE STEP 23B-

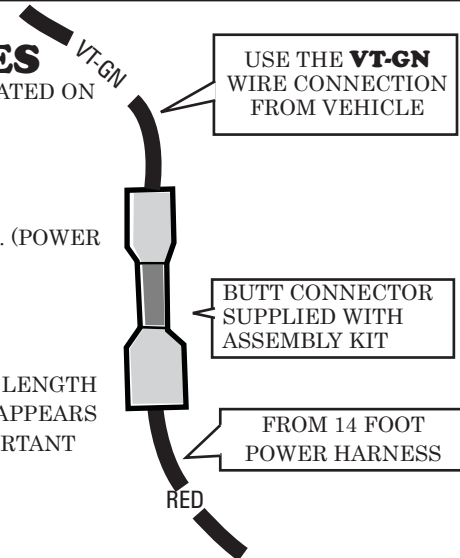
CONTINUE TO STEP 24 FOR POWER AND GROUND INSTALLATION



23b

VEHICLES WITH UPFITTER SWITCHES

- CUTOFF SPADE TERMINAL ON RED WIRE LOCATED ON 14 FOOT POWER HARNESS
- STRIP 1/4" OFF RED WIRE
- LOCATE VT-GN WIRE FROM VEHICLE BUNDLE. (POWER WIRE FOR UPFITTER SWITCH #3)
- TWIST THE BARE WIRE ENDS TOGETHER
- USE A SHIELDED HEAT GUN TO HEAT ENTIRE LENGTH OF HEATSHRINK CONNECTOR UNTIL HOT MELT APPEARS ON BOTH ENDS OF THE TUBING (REFER TO IMPORTANT NOTE IN SECTION 23A)
- WIRE DIAGRAM LOCATED ON PAGE 15.
- ADD LABEL (DRAWING ON PAGE 18)



IMPORTANT:

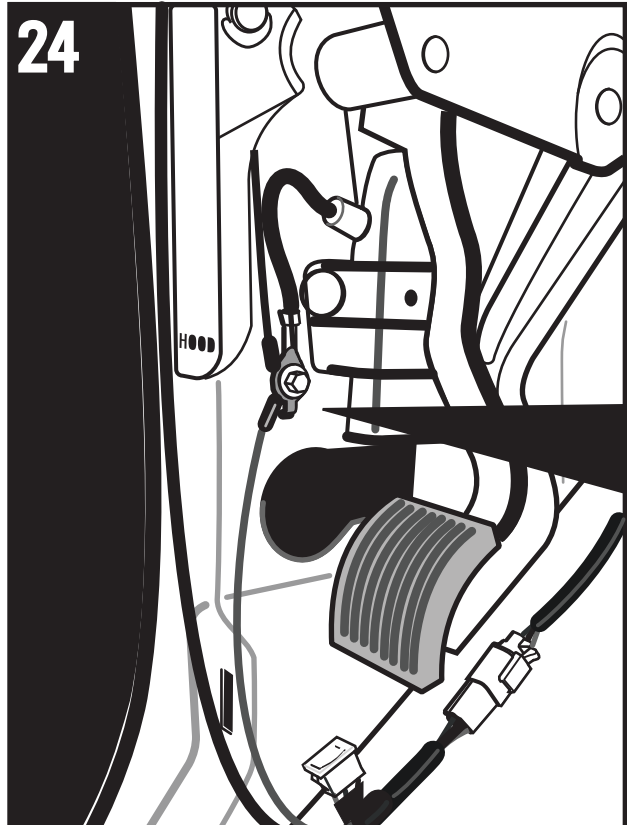
DURABILITY OF THE HEAT SHRINK BUTT CONNECTION IS DEPENDENT ON SUFFICIENT HEAT DIRECTED TO THE SILVER COLORED RING LOCATED IN THE CENTER OF THE CONNECTOR. ENOUGH HEAT MUST BE APPLIED TO ENSURE THE SOLDER FLOW AROUND THE TWISTED WIRES. AFTER THE SOLDER HAS FLOWED, THE HEAT GUN MUST BE DIRECTED TOWARDS BOTH ENDS OF THE CONNECTOR TO SHRINK THE WIRES TO CONFORM TO THE WIRE JACKET AS WELL AS MELT THE ADHESIVE FROM INSIDE THE SHRINK CONNECTOR.

SEE THE 4 STEPS BELOW FOR FURTHER INFORMATION.

- INSTALL HEAT SHRINK BUTT CONNECTOR AT LEAST 1" AWAY FROM ONE OF THE STRIPPED ENDS BEING SPLICED.
- TWIST THE BARE WIRE ENDS TOGETHER.
- EVENLY POSITION HEAT SHRINK TUBING OVER WIRE REPAIR.
- USE A SHIELDED HEAT GUN TO HEAT ENTIRE LENGTH OF THE HEAT SHRINK CONNECTOR UNTIL HOT MELT APPEARS FROM BOTH ENDS OF THE TUBING.
- WIRE DIAGRAM LOCATED ON PAGE 14.
- ADD LABEL (DRAWING ON PAGE 18)

KICKPANEL REMOVED ON DRIVER'S SIDE

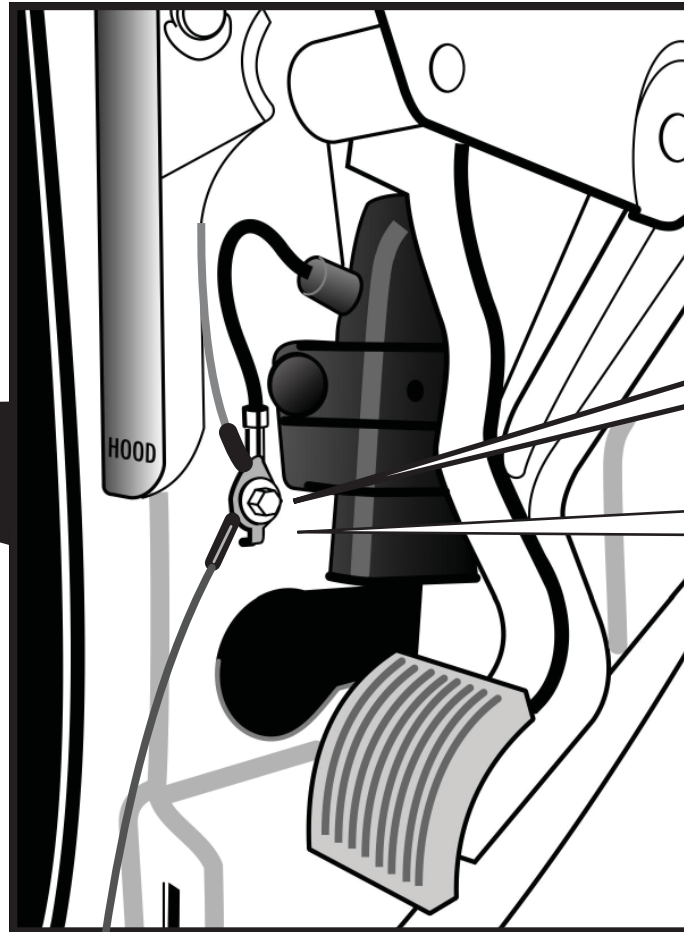
24



VEHICLES WITHOUT UPFITTER SWITCHES ONLY

ATTACH BLACK GROUND CABLE FROM 14 FOOT HARNESS AND BLACK GROUND CABLE FROM KNEE PANEL SWITCH TO EXISTING VEHICLE'S GROUND LOCATION

IMPORTANT:
MAKE SURE WIRING DOES NOT INTERFERE WITH EMERGENCY BRAKE FUNCTION



IMPORTANT
TORQUE TO
12 Nm +/- 1.8 Nm

VEHICLE'S
GROUND LOCATION

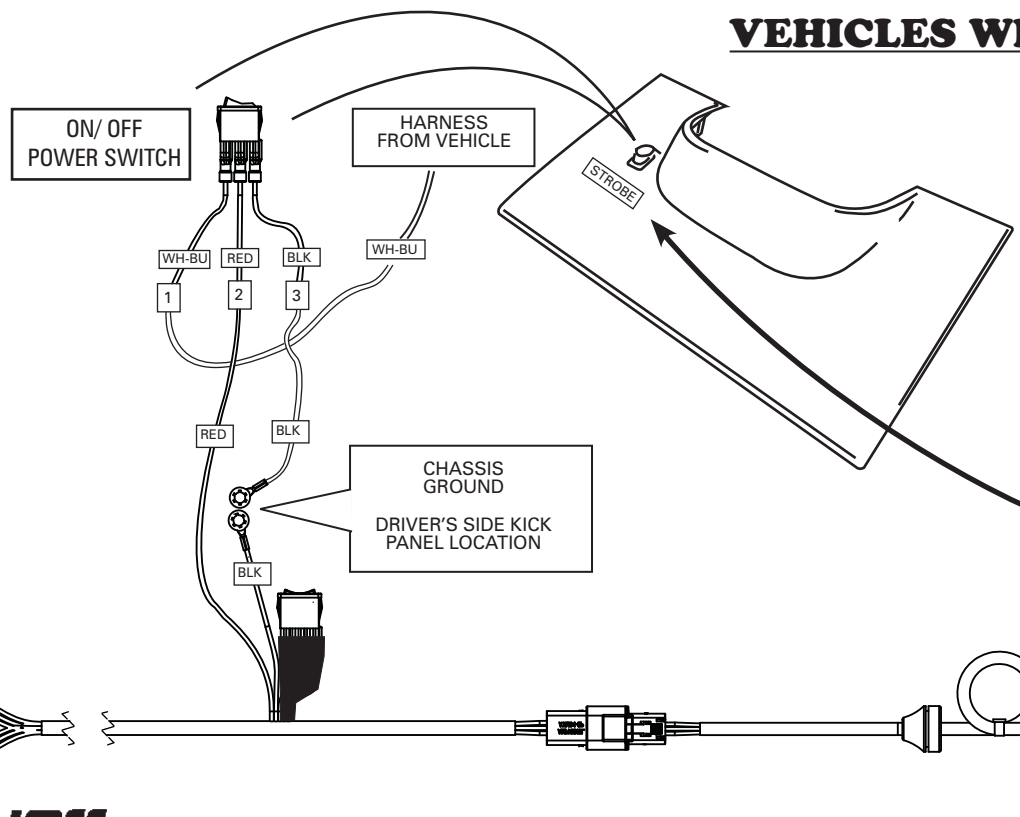
IMPORTANT:
-VEHICLES WITH UPFITTER SWITCHES ONLY-
ATTACH BLACK GROUND CABLE FROM 14 FOOT HARNESS TO EXISTING VEHICLE'S GROUND LOCATION

25

REASSEMBLY OF TRUCK COMPONENTS

- TRIM PANELS
- SCREWS
- RUBBER GASKETS
- RE-ATTACH BATTERY
- WHEEL LINER
- VERIFY TORQUE TO SPECIFIED SETTINGS
- RE-ATTACH HOODLINER (IF EQUIPPED)
- ATTACH SUPPLIED KNEE PANEL WITH SWITCH (VEHICLES WITHOUT UPFITTER SWITCHES ONLY)

VEHICLES WITHOUT UPFITTER SWITCHES



26

LEAVE FOLLOWING COMPONENTS FOR OWNER IN SUPPLIED FOAM BAG.

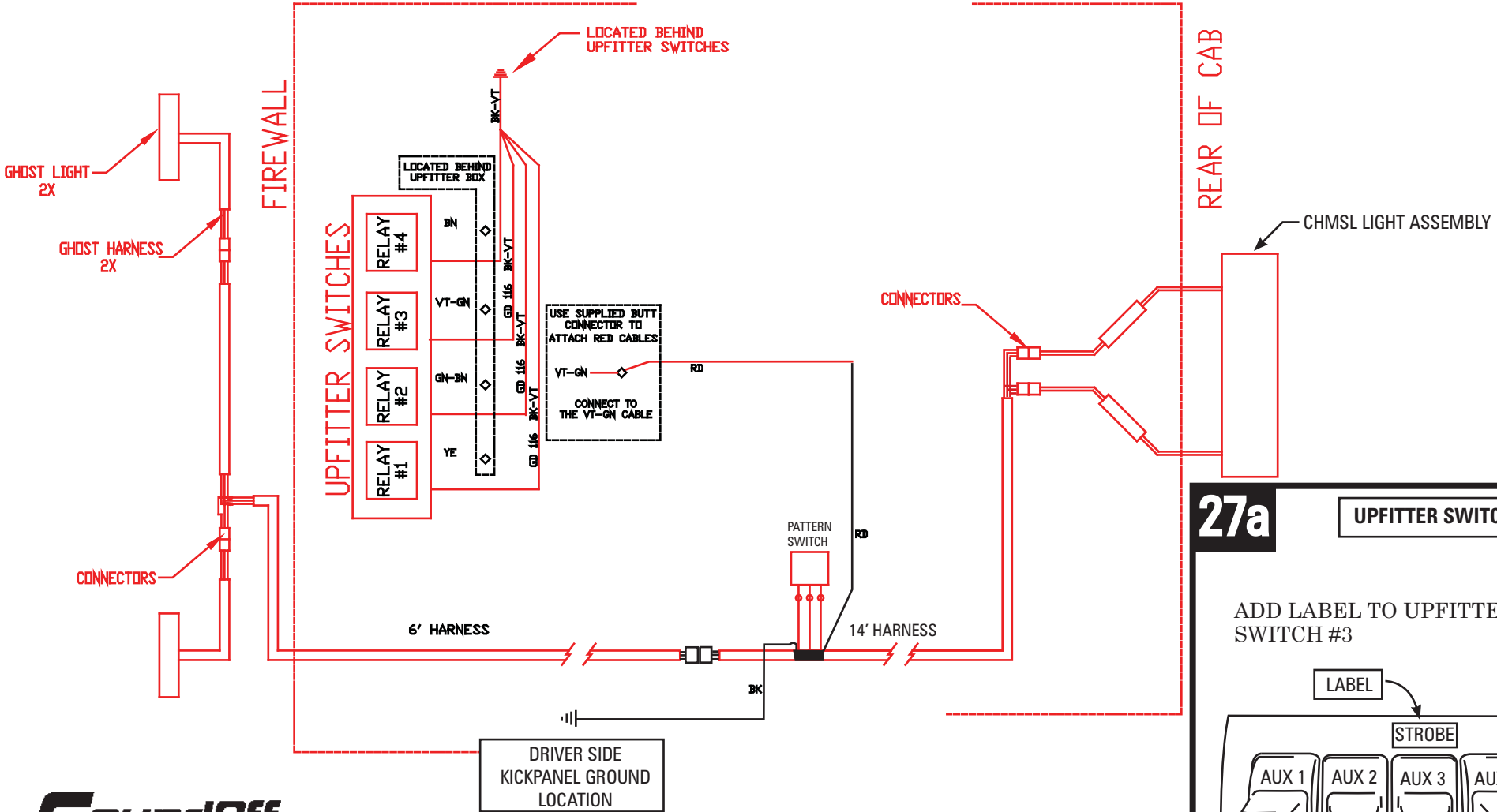
- THIS INSTRUCTION SHEET/ OWNERS MANUAL
- SOUNDOFF WARNING LABEL

27a

ADD LABEL TO TRIM PANEL

VEHICLES WITH UPFITTER SWITCHES ONLY

DASHBOARD AREA



27a

UPFITTER SWITCHES

ADD LABEL TO UPFITTER SWITCH #3

LABEL

STROBE

AUX 1

AUX 2

AUX 3

AUX 4

PATTERN CHANGE OPTION: (ONLY IF NECESSARY)

1. TURN THE LIGHT ON (APPLY POWER TO LIGHT)
2. LOCATE THE PATTERN SWITCH UNDERNEATH DRIVER'S SIDE KICKPANEL
3. PRESSING THE "I" (GHOST LIGHT ASSEMBLY) OR "II" (INTERSECTOR LIGHT ASSEMBLY) ON THE SWITCH WILL CYCLE THROUGH EITHER THE GHOST OR THE INTERSECTOR LIGHTS.
4. TO GO BACK TO FACTORY DEFAULT PATTERN (PATTERN #1-QUINT). WITH POWER SWITCH OFF, HOLD PATTERN SELECTION SWITCH "IN THE ON" POSITION FOR BUTTON "I" (GHOST) OR BUTTON "II" (INTERSECTOR) FOR 2 SECONDS WHILE TURNING ON THE POWER SWITCH.
5. AFTER 2 SECONDS WITH LIGHT ON, RELEASE PATTERN SELECTION SWITCH BUTTON "I" OR "II". THE LIGHTS WILL BE SET BACK TO PATTERN #1-QUINT.

NOTE:
SEE THE LIST FOR THE PATTERNS ON BOTH LIGHTS.

Flash Patterns					
Pattern Name	1 Light	Alternating 2 Lights	Simultaneous 2 Lights	X-Pattern 4 Lights	F.P.M. (Flashes / Minute)
1. Quint	x	x	x		70
2. Warp	x	x	x		350
3. Inter-Cycle Flash	x	x			
4. Double Flash	x	x	x		70
5. Quad Flash	x	x	x		80
6. PowerPulse™	x	x	x		180
7. RoadRunner™	x	x	x		113
8. Q-Switch™	x	x			
9. RoadRunner™ Steady Burn	x	x			113
10. Quad Steady Burn	x	x			80
11. E-Ideal Single Flash	x	x	x		200
12. E-Ideal Double Flash	x	x	x		146
13. Quad2 Flash	x	x	x		67
14. Double2 Flash	x	x	x		95
15. X-Warp				x	
16. X-Double				x	
17. PowerRunner	x	x	x		
18. LCR Quint	x	x	x		
19. Warp³	x	x	x		
20. Ultra Warp	x	x	x		545
21. Thunder & Lightning	x	x			
22. Lite Speed	x	x	x		85
23. SuperSonic	x		x		170
24. LCR Lite Speed	x	x	x		
25. SuperSonic Ultra	x	x	x		
26. Tempo Shift	x	x	x		
27. Tempo Shift Warp	x	x	x		
28. SBE2	x	x	x		67
29. C²	x	x	x		200
30. U²	x	x	x		176
31. Ultra Glow	x	x	x		
32. Cyclone	x	x	x		
33. Chameleon	x	x	x		

Flash Patterns				
Pattern Name	1 Light	Alternating 2 Lights	Simultaneous 2 Lights	F.P.M. (Flashes / Minute)
1. Quint	x	x	x	70
2. Warp	x	x	x	350
3. Inter-Cycle Flash	x	x		
4. Double Flash	x	x	x	70
5. Quad Flash	x	x	x	80
6. PowerPulse™	x	x	x	180
7. RoadRunner™	x	x	x	113
8. Q-Switch™	x	x		
9. RoadRunner™ Steady Burn	x	x		113
10. Quad Steady Burn	x	x		80
11. E-Ideal Single Flash	x	x	x	200
12. E-Ideal Double Flash	x	x	x	146
13. Quad2 Flash	x	x	x	67
14. Double2 Flash	x	x	x	95
15. PowerRunner	x	x	x	
16. LCR Quint	x	x	x	
17. Warp³	x	x	x	
18. Ultra Warp	x	x	x	545
19. Thunder & Lightning	x	x		
20. Lite Speed	x	x	x	85
21. SuperSonic	x		x	170
22. LCR Lite Speed	x	x	x	
23. SuperSonic Ultra	x	x	x	
24. Tempo Shift	x	x	x	
25. Tempo Shift Warp	x	x	x	
26. SBE2	x	x	x	67
27. C²	x	x	x	200
28. U²	x	x	x	176
29. Cyclone2	x	x	x	
30. Chameleon2	x	x	x	

Notes



Notes





Important
PLACE THIS
INSTRUCTION SHEET
INTO GLOVE BOX

