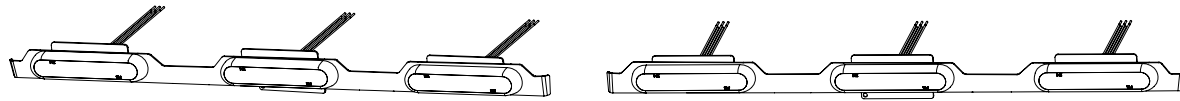




2021-2023 CHEVROLET TAHOE POLICE & CIVILIAN (LS AND Z71 MODELS) FOR USE WITH THE 3 & 4" STUD MOUNT MPOWER® LIGHTS*

PMP2BK003 - GRILLE MOUNT BRACKET, 6 MODULE



OVERALL ASSEMBLY SHOWN*

⚠ WARNING

- HIGH CURRENT interconnects must be properly terminated. Poor crimp quality can cause heat build-up and fire. Follow crimp connector manufacturer instructions.
- DO NOT install this product or route any wires in the Air Bag Deployment Zone. Refer to vehicle Owner's Manual for deployment zones.
- Do NOT use system to disconnect headlights, brake lights or other safety equipment.
- Unit may become hot to touch during normal operation.
- Failure to properly install connectors, fuses or wiring may cause vehicle failure or fire.
- Installation must only be performed by trained technician. Installer must determine vehicle wiring configuration and proper integration of system.
- Use proper wire gauge. All power wires connecting to positive (+) or negative (-) battery terminal or local chassis ground (-) must be sized to supply at least 125% of max. current and properly fused at power source.
- Install protective grommets when routing wire through firewall or metal.

NOTICE:

Installers and users must comply with all applicable federal, state and local laws regarding use and installation of warning devices.

Improper use or installation may void warranty coverage.

To review our Limited Warranty Statement & Return Policy for this or any SoundOff Signal product, visit our website at www.soundoffsignal.com/tech-services/returns/.

If you have questions regarding this product, contact **Technical Services**, Monday - Friday, 8 a.m. to 5 p.m. ET at 1.800.338.7337 (press #4).

Questions or comments that do not require immediate attention may be emailed to techservices@soundoffsignal.com.



1.800.338.7337 / www.soundoffsignal.com

INTRODUCTION:

mpower® Fascia Light Features:

- 3" and 4" Stud Mount Options available for this bracket design
- Collaboration with Dow Corning® to develop ClearDuty™ optical design
- Greater resistance to gravel pitting, scratching, or cracking
- Improved sealing to prevent water from entering light
- Higher UV and thermal stability to prevent lens from yellowing over time

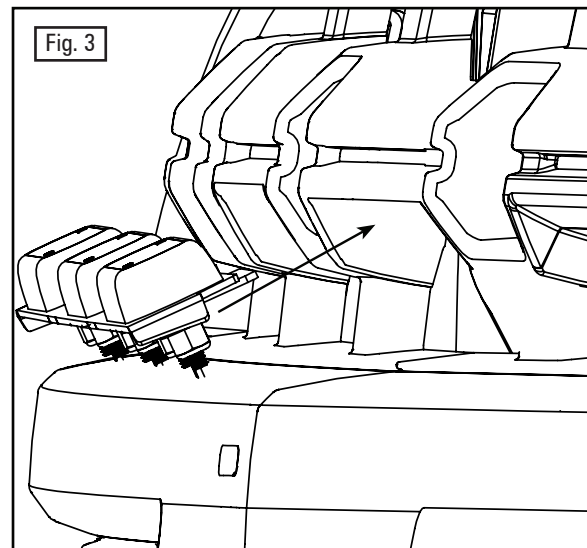
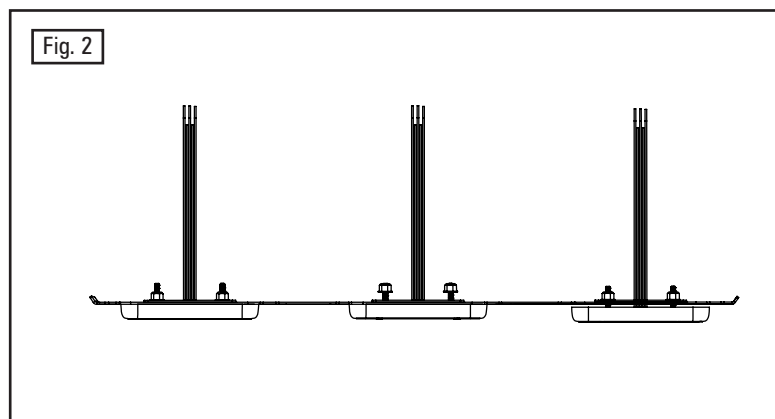
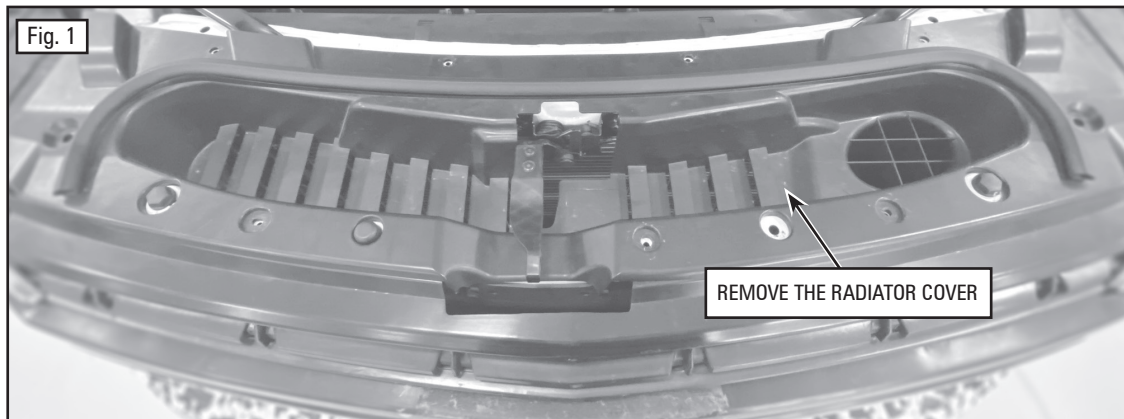
CONTENTS	
QTY	COMPONENT
1	3 MODULE DRIVER SIDE BRACKET
1	3 MODULE PASSENGER SIDE BRACKET
2	RETAINING BRACKET

*mpower Sold Separately



2021-2023 CHEVROLET TAHOE POLICE & CIVILIAN (LS AND Z71 MODELS) FOR USE WITH THE 3 & 4" STUD MOUNT MPOWER® LIGHTS*

PMP2BK003 - GRILLE MOUNT BRACKET, 6 MODULE



INSTALLATION:

NOTE: The brackets only fit directly above the Chevrolet "bowtie" emblem on the driver and passenger sides of the grille. The driver side bracket must be used on the driver side and the passenger side bracket must be used on the passenger side.

1. With the hood open, remove the upper, plastic radiator cover on the front of the vehicle, as seen in Figure 1.

PRO TIP: Should additional space be desired, the grille can also be removed. Consult a Chevrolet Service Center for best disassembly method. Keep all hardware.

2. Locate the passenger side bracket (002BR1064) and firmly attach the two outermost modules. Apply a torque of no more than 15 in-lbs.
3. Place the center module in its intended location and slightly thread the nuts onto the studs. At this point, the outer two lights should be firmly attached to the bracket and the center light should be loosely attached. This is shown in Figure 2.

NOTICE:

Installers and users must comply with all applicable federal, state and local laws regarding use and installation of warning devices.

Improper use or installation may void warranty coverage.

To review our Limited Warranty Statement & Return Policy for this or any SoundOff Signal product, visit our website at www.soundoffsignal.com/tech-services/returns/.

If you have questions regarding this product, contact **Technical Services**, Monday - Friday, 8 a.m. to 5 p.m. ET at 1.800.338.7337 (press #4).

Questions or comments that do not require immediate attention may be emailed to techservices@soundoffsignal.com.

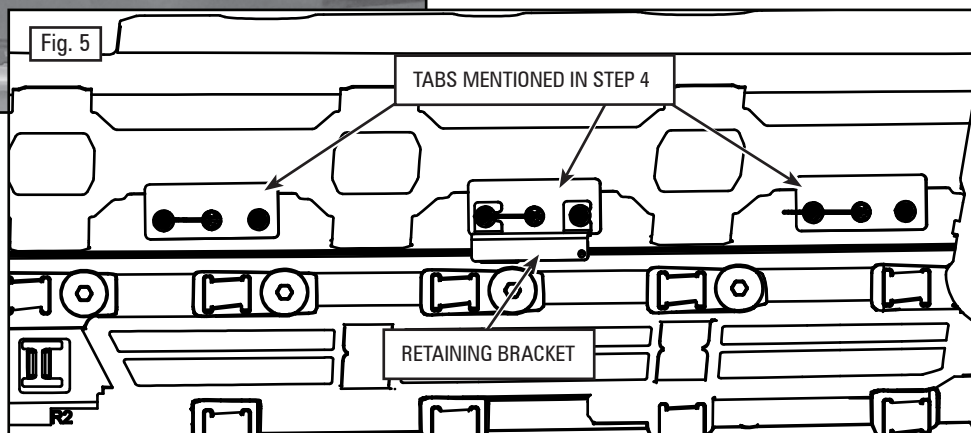
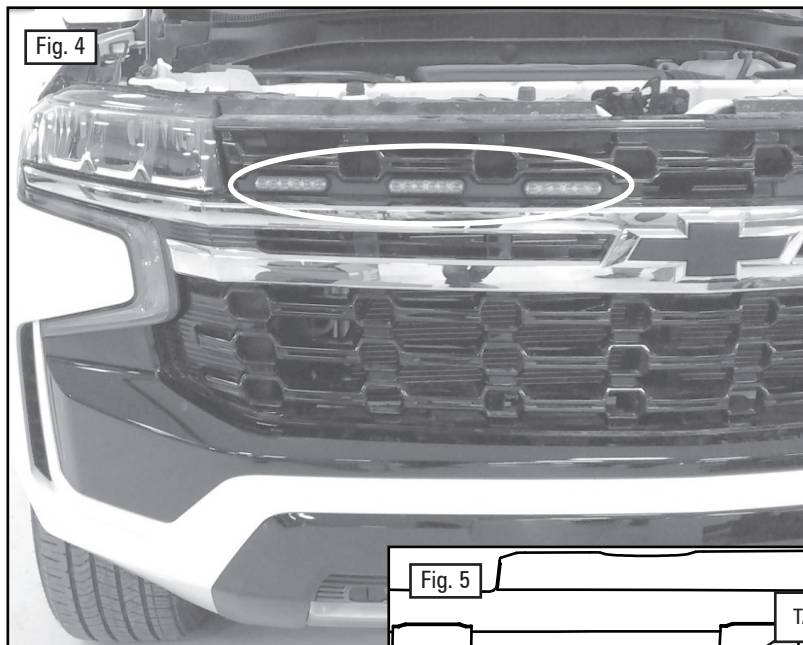
**SoundOff
Signal**

1.800.338.7337 / www.soundoffsignal.com



2021-2023 CHEVROLET TAHOE POLICE & CIVILIAN (LS AND Z71 MODELS) FOR USE WITH THE 3 & 4" STUD MOUNT MPOWER® LIGHTS*

PMP2BK003 - GRILLE MOUNT BRACKET, 6 MODULE



INSTALLATION (CONT.):

4. Notice the three tabs on the passenger side bracket. These tabs will engage behind the front fascia and will be used to hold the top of the bracket in place. With the lights facing up and the tabs pointed into the grille, insert the bracket into the correct position on the grille. This is shown in Figure 3. Gently arc the bracket slightly and rotate it into the correct position. For reference, a picture of the installed passenger side assembly is shown in Figure 4.
5. Attach the retaining bracket on the back side of the grille light bracket by sliding the bracket behind the loose nuts of the center module. Figure 5 shows a view of the back side of the bracket assembly from the inside of the fascia. Notice the location of the retaining bracket and the final location of the three bracket tabs.
6. Tighten the nuts on the center module to hold the entire assembly in the correct position. Apply a torque of no more than 15 in-lbs.
7. The final assembly of the passenger side bracket is shown in Figure 4.
8. Perform steps two through six for the driver side bracket (002BR1063).
9. Reinstall the front grille, if removed, and the upper, plastic radiator cover, according to manufacturer's specifications.

NOTICE:

Installers and users must comply with all applicable federal, state and local laws regarding use and installation of warning devices.

Improper use or installation may void warranty coverage.

To review our Limited Warranty Statement & Return Policy for this or any SoundOff Signal product, visit our website at www.soundoffsignal.com/tech-services/returns/.

If you have questions regarding this product, contact **Technical Services**, Monday - Friday, 8 a.m. to 5 p.m. ET at 1.800.338.7337 (press #4).

Questions or comments that do not require immediate attention may be emailed to techservices@soundoffsignal.com.

SoundOff
Signal 

1.800.338.7337 / www.soundoffsignal.com