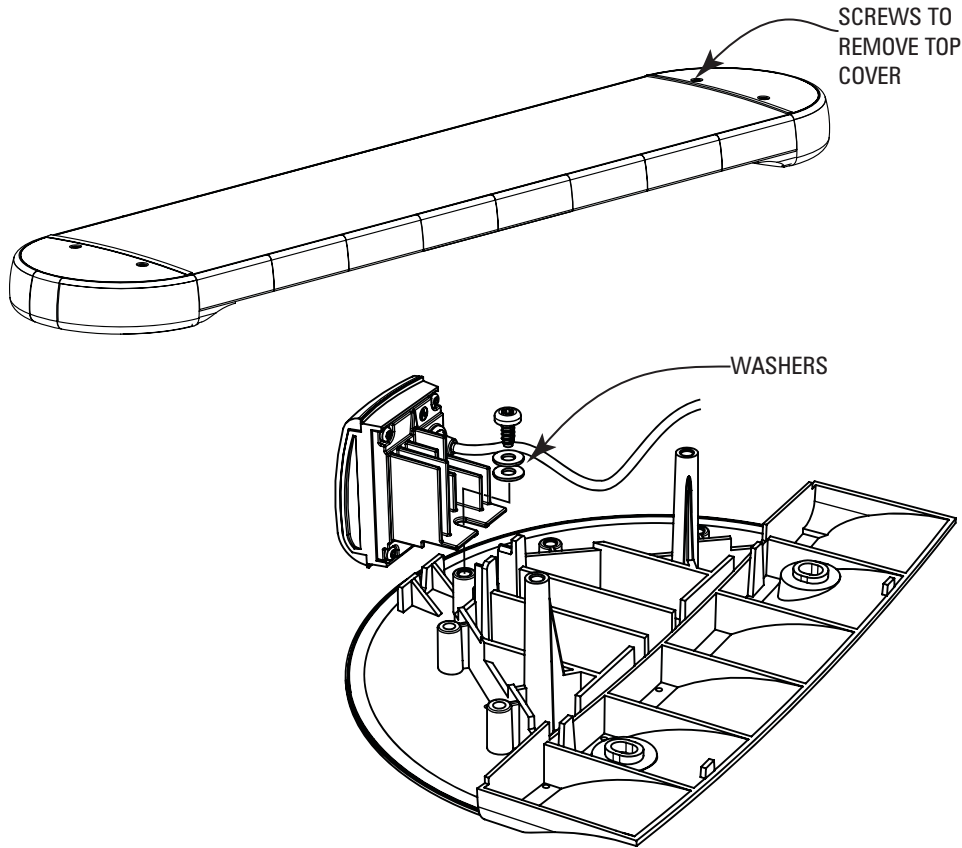


LED ALLEY LIGHT

PETLA3C-P PASSENGER SIDE
PETLA3C-D DRIVER SIDE
PETLAC4C STANDARD ALLEY
PETLA3C TAKE DOWN/WORK LIGHT



Important Information

• Warning devices are strictly regulated and governed by Federal, State and Municipal ordinances. These devices shall be used ONLY on approved vehicles. It is the sole responsibility of the user of these devices to ensure compliance.

ALLEY LIGHT INSTALLATION:

- 1 Remove 4 screws in top cover and lift straight up..
- 2 Remove top of electrical enclosure in center of bar.
- 3 Lift halogen alley light out and trace wire back to electrical enclosure. Disconnect wire.
- 4 Install LED Alley light as shown at right using the screw and two washers provided as shown. Note: Washers MUST be installed under the screw head.
- 5 Insert connector into the same location that the halogen was removed from and test before reassembling the electrical and top covers.

WARNING

Failure to properly secure LED Alley and Take Down modules to the light bar base will result in severe overheating, failure of the modules and possible fire.

TAKE DOWN LIGHT INSTALLATION:

(SEE REVERSE)

Follow steps 1 and 2 at left.

- 3 Remove three screws holding light to aluminum extrusion. One may be discarded because it will not be used with the new LED Take Down light.
- 4 Insert the LED Take Down light into the space previously occupied by the halogen take down and align the lens faces with the adjacent modules.
- 5 Secure light to the extrusion with the screws removed in step #3. Do not overtighten as this may strip out the soft aluminum extrusion.
- 6 Trace the wire from the halogen take down and unplug from the mother board. Plug the LED Take Down connector into the connector the halogen was removed from and test prior to reinstalling the electrical and top covers.

WARNING

This product contains high intensity LED devices. To prevent eye damage, DO NOT stare into light beam at close range.

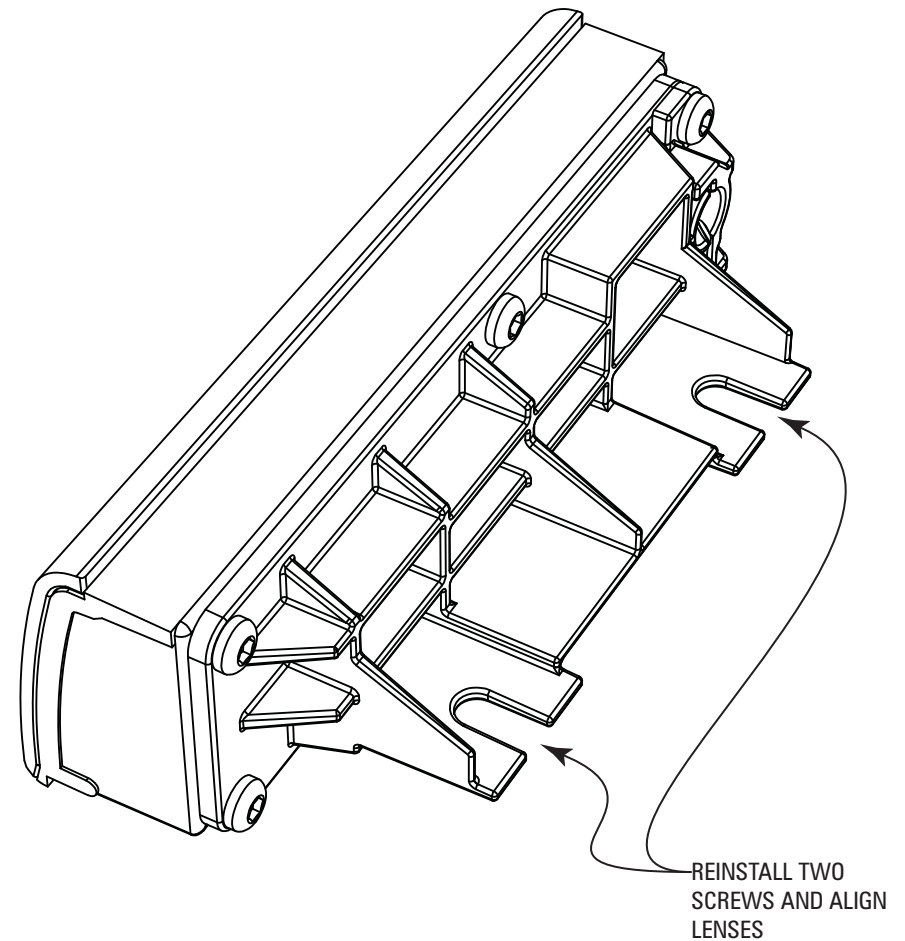
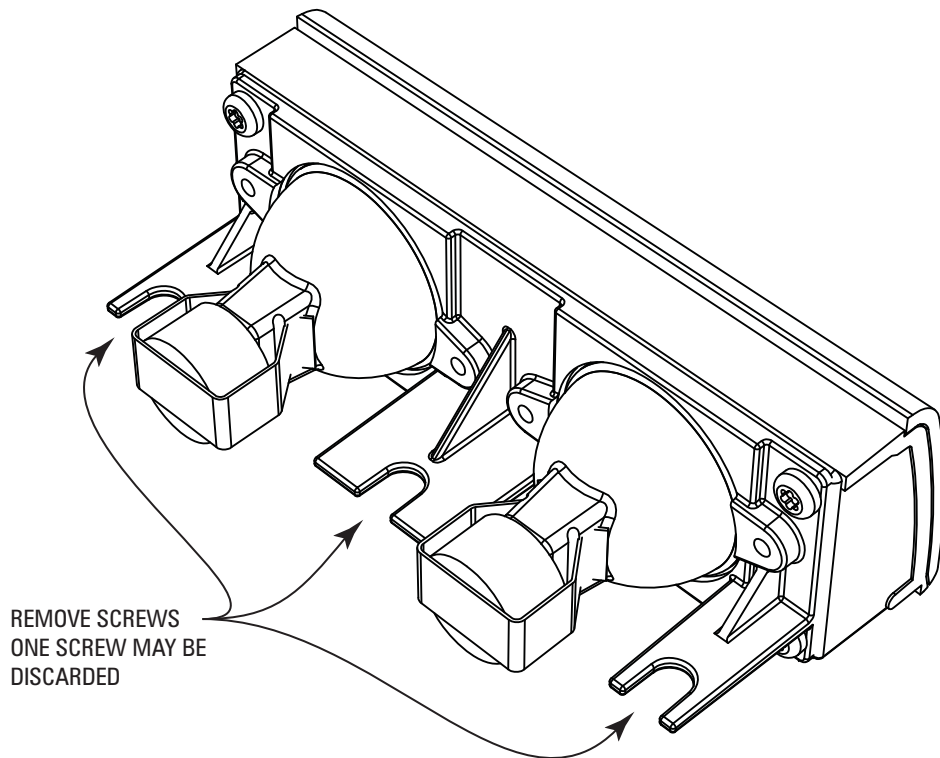
SoundOff
Signal 

To review our Limited Warranty Statement & Return Policy for this or any SoundOff Signal product please visit our website at www.soundoffsignal.com and select the "Warranty & Returns" link along the left column of our home page. If you have questions regarding this product please contact Technical Services, Monday - Friday, 8 am to 5 pm at 1.800.338.7337, press #4 to skip the automated message. Questions or comments that do not require immediate attention may be emailed to techsupport@soundoffsignal.com.

1.800.338.7337. / www.soundoffsignal.com / Thank you for trusting us with your safety!

LED TAKE DOWN LIGHT

PETLH3C



⚠ WARNING
Failure to properly secure
LED Alley and Take Down
modules to the light bar base
will result in severe
overheating, failure of the
modules and possible fire.



To review our Limited Warranty Statement & Return Policy for this or any SoundOff Signal product please visit our website at www.soundoffsignal.com and select the "Warranty & Returns" link along the left column of our home page. If you have questions regarding this product please contact Technical Services, Monday - Friday, 8 am to 5 pm at 1.800.338.7337, press #4 to skip the automated message. Questions or comments that do not require immediate attention may be emailed to techsupport@soundoffsignal.com.

1.800.338.7337. / www.soundoffsignal.com / Thank you for trusting us with your safety!