



3900 Central Parkway

Hudsonville, MI 49426

toll free 800.338.7337

office 616.896.7100

techsupport@soundoffsignal.com

www.soundoffsignal.com

WARNING: Warning devices are strictly regulated and governed by Federal, State and Municipal ordinances. These devices shall be used ONLY on approved vehicles. It is the sole responsibility of the user of these devices to ensure compliance.

MOUNTING INSTRUCTIONS

Important: DO NOT over tighten mounting screws or nuts. This could cause permanent damage to the light or bracket. Use appropriate hardware for mounting.

1. Make certain you have the correct bracket for your application by comparing the illustrations to the parts included in this kit. Bar mounting hardware is provided, vehicle mounting hardware is customer supplied.
2. Install the bracket in the orientation shown in the the appropriate illustration at right. DO NOT TIGHTEN SCREWS UNTIL LIGHT IS LOCATED IN FINAL MOUNT POSITION.
3. Attach the lights to the brackets as shown and adjust for final placement.
4. When final position of unit is obtained tighten screws. DO NOT OVERTIGHTEN!



UNIVERSAL FOR
DECK MOUNT
APPLICATIONS
(PUL3DGM)



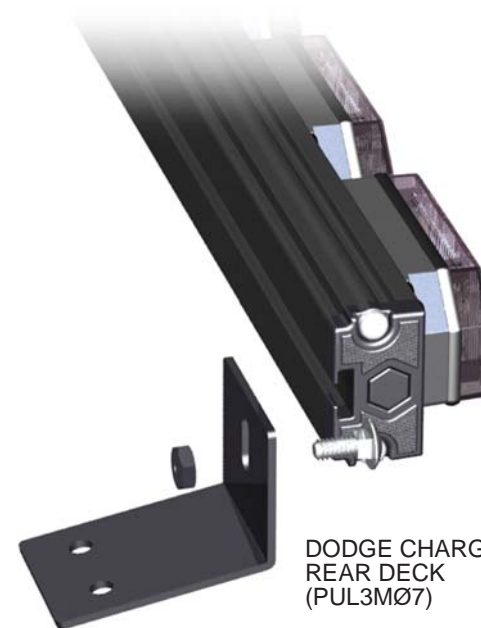
DODGE CHARGER
DASH MOUNT
(PUL3M06)

UltraLITE

by SoundOff Signal

UltraLITE UNIVERSAL DECK/DASH MOUNT BRACKETS

INSTALLATION INSTRUCTIONS
PUL3DGM or PUL3M06 or PUL3M07



DODGE CHARGER
REAR DECK
(PUL3M07)