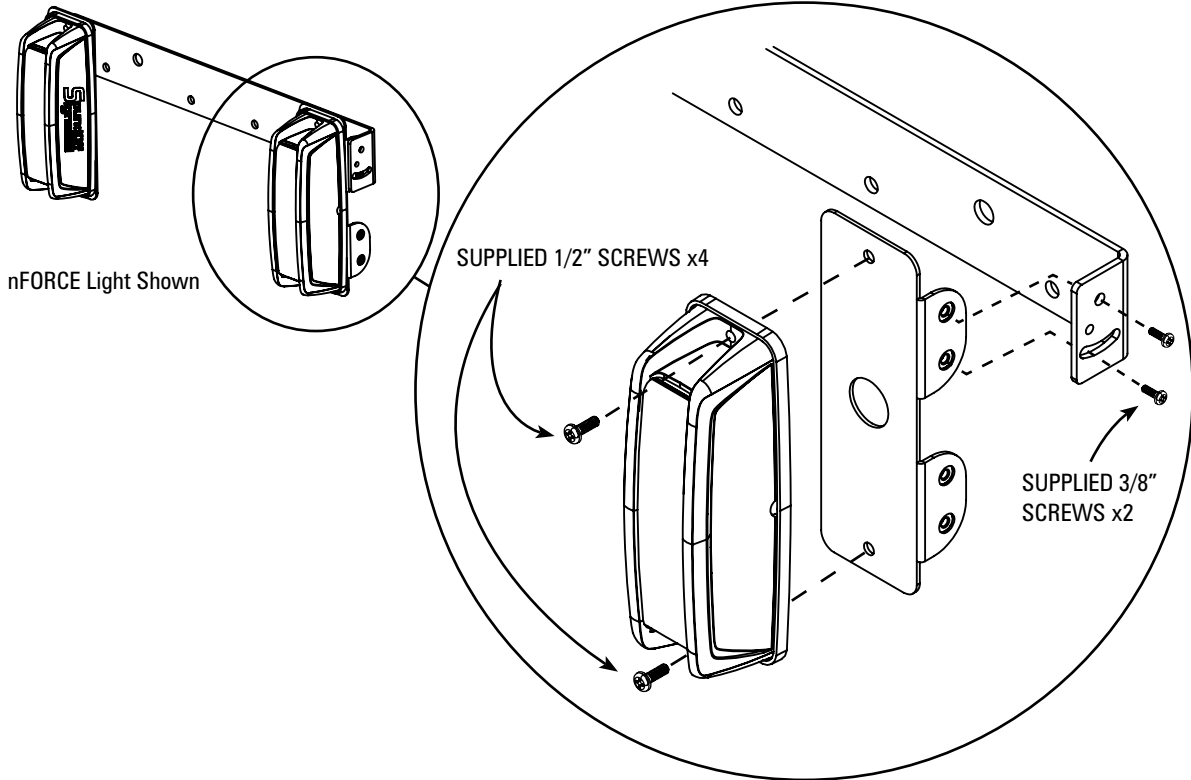


**SINGLE SURFACE MOUNT BRACKETS**  
PNFSLBRK2LPV - LICENSE PLATE VERTICAL BRACKET



**INSTALLATION INSTRUCTIONS:**

- 1) Remove license plate from vehicle
- 2) Determine whether you want to mount the light inward (toward the license plate) or outward (away from the license plate).
- 3) Determine the location where you want the power cable to exit the vehicle and drill a 5/16" hole for wire routing.
- 4) Screw the light to adapter plate as shown using supplied screws.
- 5) Screw adapter plate (with mounted light) to base mounting bracket using supplied screws.
- 6) Route wires through hole created in step 3.
- 7) Fasten bracket with license plate on top to vehicle using license plate screws removed in step 1. Extra holes are provided for heavy duty mounting.
- 8) Wire the lights according to the light instructions.



**Important Information:**

- Warning devices are strictly regulated and governed by Federal, State and Municipal ordinances. These devices shall be used ONLY on approved vehicles. It is the sole responsibility of the user of these devices to ensure compliance.
- DO NOT connect this device to a strobe power supply. This product is self-contained and does not require an external power supply.

**IMPORTANT INFORMATION:**

Warning devices are strictly regulated and governed by Federal, State and Municipal ordinances. These devices shall be used ONLY on approved vehicles. It is the sole responsibility of the user of these devices to ensure compliance.

To review our Limited Warranty Statement & Return Policy for this or any SoundOff Signal product, visit our website at [www.soundoffsignal.com/sales-support](http://www.soundoffsignal.com/sales-support).  
If you have questions regarding this product, contact **Technical Services**, Monday - Friday, 8 a.m. to 5 p.m. at **1.800.338.7337** (press #4 to skip the automated message).  
Questions or comments that do not require immediate attention may be emailed to [techservices@soundoffsignal.com](mailto:techservices@soundoffsignal.com).