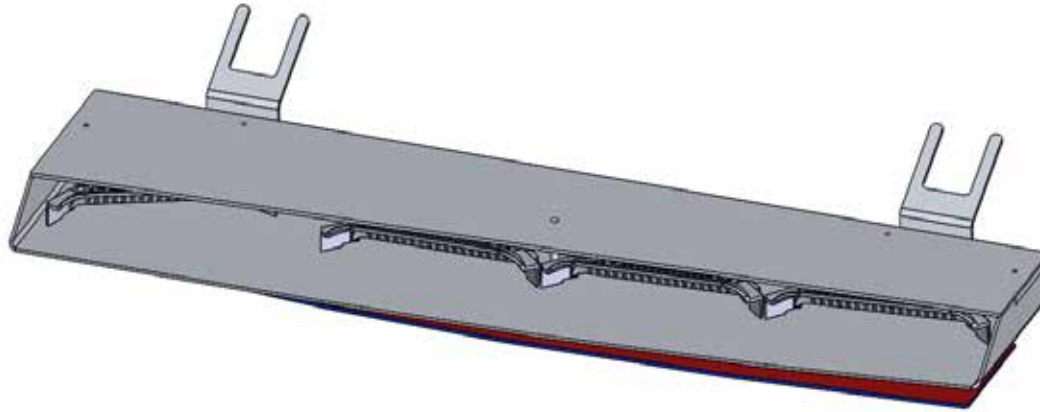


Universal Lightbar

PNFWBMFSU01



⚠ WARNING

- HIGH CURRENT interconnects must be properly terminated. Poor crimp quality can cause heat build-up and fire. Follow crimp connector manufacturer instructions.
- DO NOT install this product or route any wires in the Air Bag Deployment Zone. Refer to vehicle Owner's Manual for deployment zones.
- Do NOT use system to disconnect headlights, brake lights or other safety equipment.
- Unit may become hot to touch during normal operation.
- Failure to properly install connectors, fuses or wiring may cause vehicle failure or fire.
- Installation must only be performed by trained technician. Installer must determine vehicle wiring configuration and proper integration of system.
- Use proper wire gauge. All power wires connecting to positive (+) or negative (-) battery terminal or local chassis ground (-) must be sized to supply at least 125% of max. current and properly fused at power source.
- Install protective grommets when routing wire through firewall or metal.

SoundOff
Signal 

1.800.338.7337 / www.soundoffsignal.com

1

INSTALLATION:

1. Loosen the sun visor mounting screw enough to be able to slide the universal mounting brackets underneath. Then lightly tighten them back down to where you can still slide the mounting bracket in and out, if needed.
2. Apply the provided rubber gasket to the angled edges on the universal shroud to ensure a better seal on the windshield.
3. Place the universal interior lightbar in the vehicle to decide if you will need to make a change to the brackets (see Page 2, Fig. 1.)

NOTE: Mounting brackets may need to be tweaked, bent, or forks cut, depending on the vehicle.

4. After the brackets are situated, screw the 1/4-20 bolts into the lightbar all the way so they are tightened up where you would like the bar to sit in the vehicle.

NOTICE:

Installers and users must comply with all applicable federal, state and local laws regarding use and installation of warning devices.

Improper use or installation may void warranty coverage.

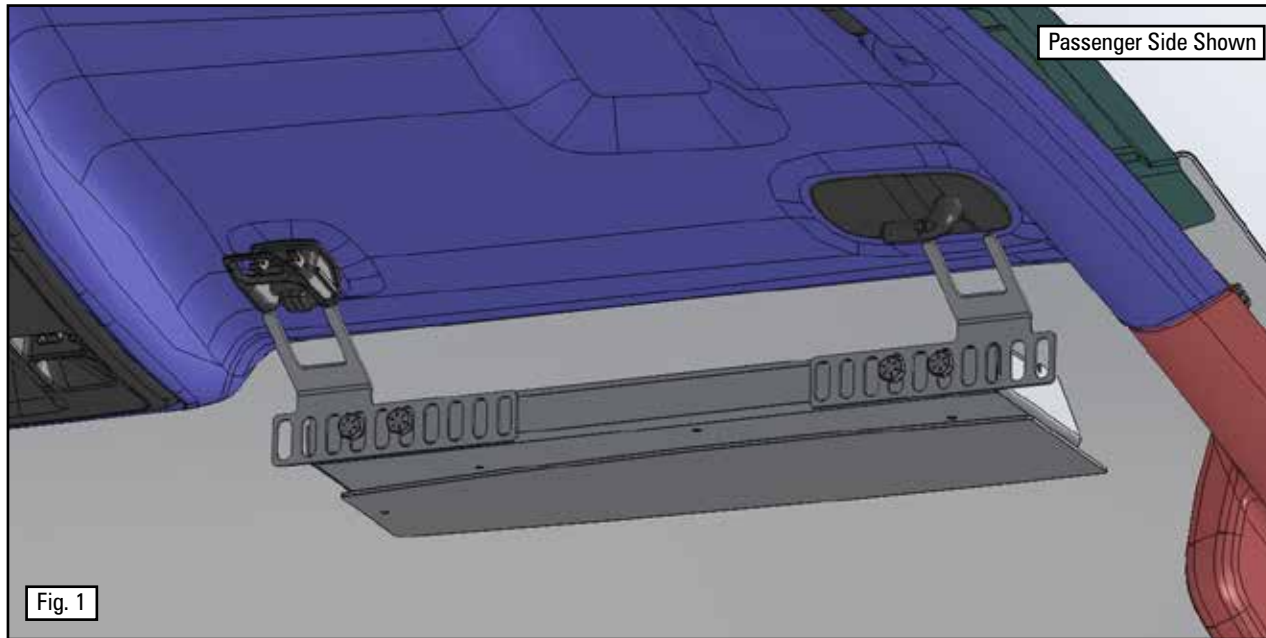
To review our Limited Warranty Statement & Return Policy for this or any SoundOff Signal product, visit our website at www.soundoffsignal.com/tech-services/returns/. If you have questions regarding this product, contact **Technical Services**, Monday - Friday, 8 a.m. to 5 p.m. or after hours 5 p.m. to 8 p.m. ET at 1.800.338.7337 (press #4). Questions or comments that do not require immediate attention may be emailed to techservices@soundoffsignal.com.

SUPERIOR CUSTOMER RELATIONSHIPS. SMARTLY DESIGNED LIGHTING & ELECTRONIC SOLUTIONS.

PNFWBMFSU01 0419

Universal Lightbar

PNFWBMFSU01



INSTALLATION (cont.):

5. For the universal sliding plate, you will need to determine how it would be best positioned to match the curve of the windshield. The sliding plate can be flipped or/and rotated to give four different shapes. Find the curve that best fits your vehicle.
6. When the best curve and position is found, remove the liner on one side of the VHB tape. Apply the tape to the side of the sliding plate that is going to contact the shroud, ensuring the tape is positioned to where it will be completely sandwiched between the plate and shroud (See Fig. 2.)
7. On a flat surface, apply firm, even pressure to the adhesive tape. Using a roller would work best. Allow the adhesive tape to sit for at least 5 minutes for proper adhesion.
8. After the five minutes of cure time has elapsed, peel off the remaining tape liner and mate the sliding plate to the shroud. To ensure proper positioning, slowly move the sliding plate up the edge of the windshield in the desired orientation until the adhesive contacts the shroud.
9. Remove the shroud assembly and place it on a flat surface so that firm even pressure can once again be applied to ensure the adhesive is properly wetted out. Allow to cure for five minutes.
10. Apply the rubber gasket to the shroud/sliding plate edge that will touch off on the windshield. There might be a transition period where the rubber gasket surrounds just the sliding plate, or the sliding plate and the shroud.
11. Loosely, reinstall the shroud assembly. Slight adjustments may be necessary in the mounting brackets to ensure best fit to the windshield, depending on how the install went. After the fit is ideal, tighten down all bolts and the sun visor mounting screws.

NOTICE:

Installers and users must comply with all applicable federal, state and local laws regarding use and installation of warning devices.

Improper use or installation may void warranty coverage.

To review our Limited Warranty Statement & Return Policy for this or any SoundOff Signal product, visit our website at www.soundoffsignal.com/tech-services/returns/. If you have questions regarding this product, contact **Technical Services**, Monday - Friday, 8 a.m. to 5 p.m. or after hours 5 p.m. to 8 p.m. ET at 1.800.338.7337 (press #4). Questions or comments that do not require immediate attention may be emailed to techservices@soundoffsignal.com.

SUPERIOR CUSTOMER RELATIONSHIPS. SMARTLY DESIGNED LIGHTING & ELECTRONIC SOLUTIONS.

SoundOff
Signal 

1.800.338.7337 / www.soundoffsignal.com