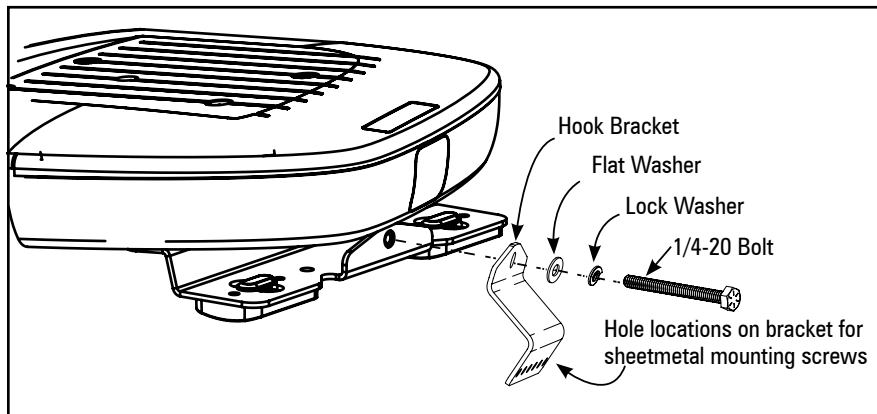
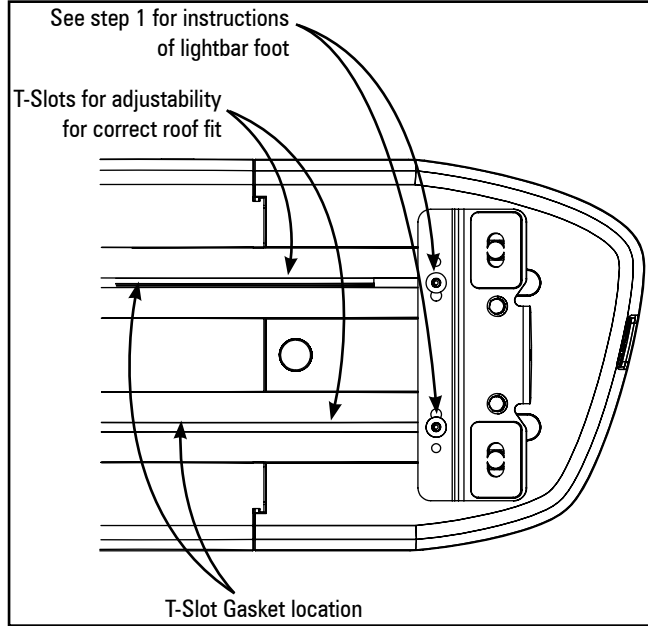
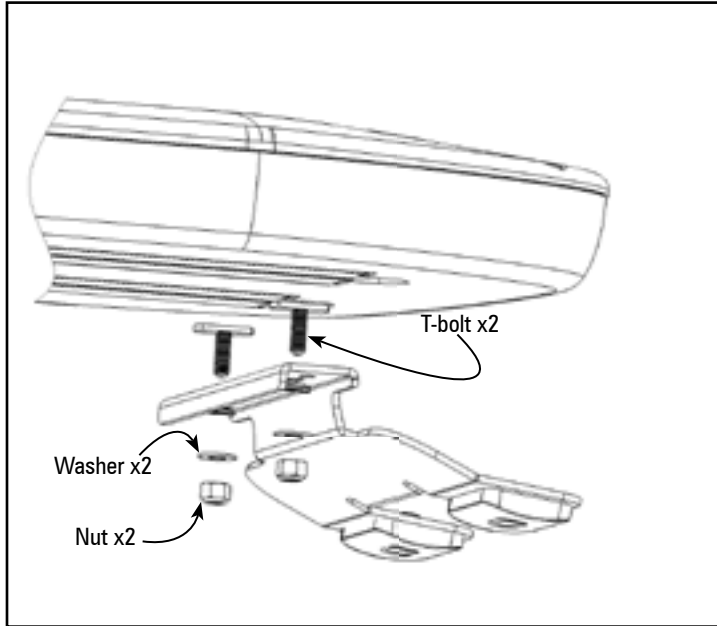




PNFLBK11 - Classic Fixed Height Mount



nFORCE Extra Low Fixed Mount

1. Slide the 1/4-20 inch T-bolts into the extrusion t-slots. Place mounting foot onto slots and tighten foot with washer and nut, ensuring the use of either a lock washer or lock nut
2. Temporarily place lightbar on the vehicle roof, between two of the mounting holes provided on the rain gutter. It is recommended that the bar is positioned about the center of the vehicle.
3. Install supplied vehicle specific hook brackets using supplied 1/4"-20 x 2.5 Hex Head bolts onto the bar mounting foot as shown. Nut is attached to mounting foot to prevent turning and improve ease of installation.
4. Using the vehicle specific hook brackets as a template, drill 4 pilot holes using a #30 (.128 dia.) drill bit on each side of the vehicle.
5. Secure each vehicle specific hook brackets by using the 8 supplied #8 x 1/2" Truss Head Sheetmetal screws, 4 per side.
6. Tighten each vehicle specific hook bracket to mounting foot by turning the 1/4" -20 x 2.5 Hex head bolt clockwise until bar is snug and no side to side or fore to aft movement occurs. Tighten to 50 in lbs max
7. Route cables into vehicle. Use supplied rubber grommet in roof for sealing/ protection of wires. It is recommended that silicone be placed around grommet to ensure roof sealing.

WARNING

Care must be taken when drilling through the roof of the vehicle not to drill into any existing wiring and not to drill through the headliner or support members of the vehicle. Check both sides of the mounting service prior to drilling. De-burr any holes and remove any metal shards or remnants. Install grommets into all wire passage holes.

IMPORTANT INFORMATION:

Warning devices are strictly regulated and governed by Federal, State and Municipal ordinances. These devices shall be used ONLY on approved vehicles. It is the sole responsibility of the user of these devices to ensure compliance.

To review our Limited Warranty Statement & Return Policy for this or any SoundOff Signal product, visit our website at www.soundoffsignal.com/sales-support. If you have questions regarding this product, contact Technical Services, Monday - Friday, 8 a.m. to 5 p.m. at 1.800.338.7337 (press #4 to skip the automated message). Questions or comments that do not require immediate attention may be emailed to techservices@soundoffsignal.com.

