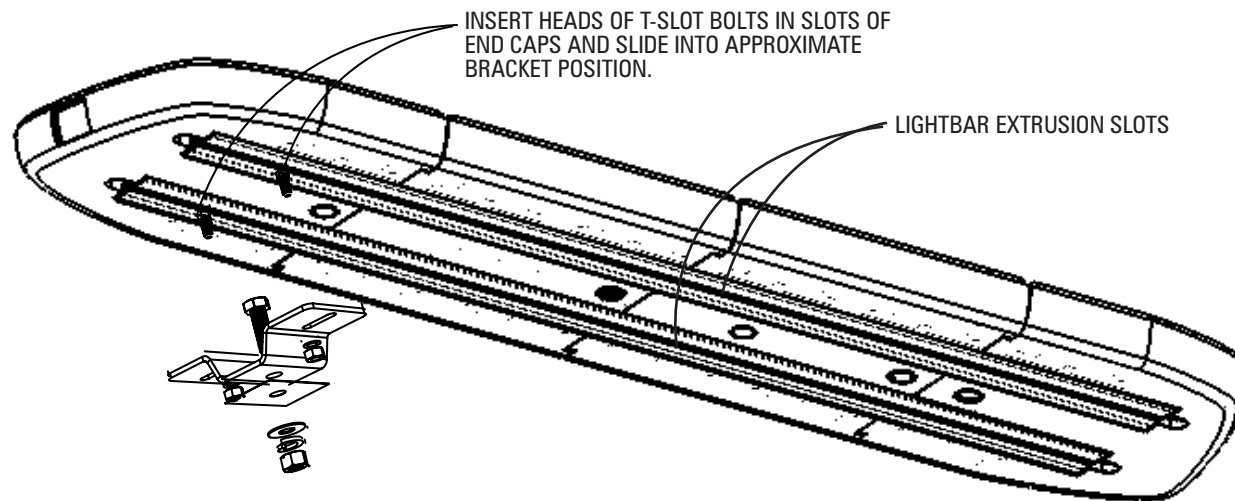
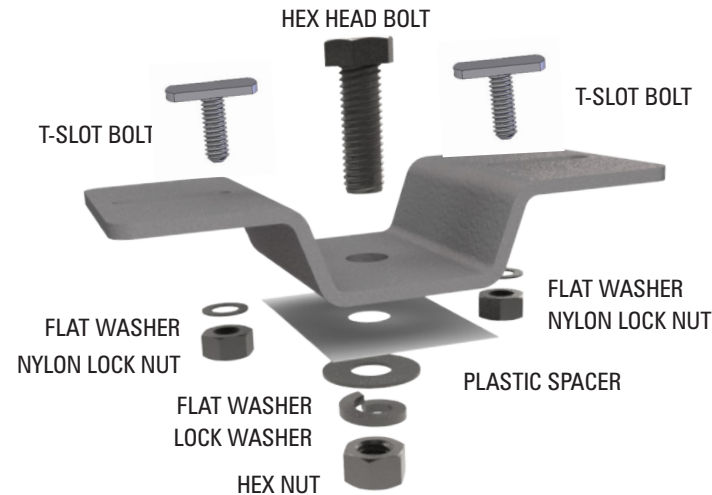


HEADACHE RACK BRACKET

PNFLBK02 - Bracket kit with two T-Slot bolts and one 1/2"-13 hex head bolt for nForce™ full size lightbars.



INSTALLATION:

1. Place T-Slot bolts in extrusion slots on the underside of the lightbar.
2. Insert hex head bolt into bracket.
3. Place bracket over T-Slot bolts and loosely secure with flat washers and nylon lock nuts.
4. Measure and drill appropriate sized holes in mounting surface.
5. Place plastic spacer over each mounting hole.
6. Place lightbar and bracket assembly into holes and install flat washer, lock washer, and hex nut for the hex head bolt.
7. Complete installation by tightening carriage bolt nuts.
8. Follow appropriate lightbar Owner's Manual or Installation Instructions for lightbar installation & testing.

**SoundOff
Signal** 
Smart Design.

Warning devices are strictly regulated and governed by Federal, State and Municipal ordinances. These devices shall be used ONLY on approved vehicles. It is the sole responsibility of the user of these devices to ensure compliance.

To review our Limited Warranty Statement & Return Policy for this or any SoundOff Signal product, visit our website at www.soundoffsignal.com/sales-support.
If you have questions regarding this product, contact **Technical Services**, Monday - Friday, 8 a.m. to 5 p.m. at **1.800.338.7337** (press #4 to skip the automated message).
Questions or comments that do not require immediate attention may be emailed to techservices@soundoffsignal.com.

1.800.338.7337 / www.soundoffsignal.com

SUPERIOR CUSTOMER RELATIONSHIPS. SMARTLY DESIGNED LIGHTING & ELECTRONIC SOLUTIONS.