

nROADS®

MID SIZE & MINI LIGHTBAR

MINIBAR

MAGNET MOUNT - ENRMBSSM(x)117(xxxx)

HEADACHE RACK MOUNT - ENRMBSSH(x)117(xxxx)

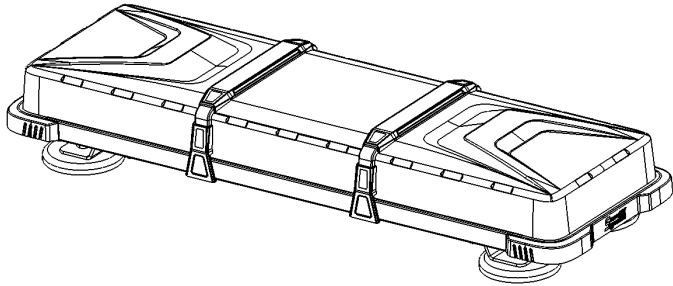
STANDARD FIXED MOUNT - ENRMBSSS(x)117(xxxx)

MIDSIZE BAR

MAGNET MOUNT - ENRMBSSM(x)124(xxxx)

HEADACHE RACK MOUNT - ENRMBSSH(x)124(xxxx)

STANDARD FIXED MOUNT - ENRMBSSS(x)124(xxxx)



IMPORTANT NOTICE TO INSTALLER: Make sure to read and understand all instructions and warnings before proceeding with the installation of this product. Ensure that the manual and any warning cards are delivered to the end user of this equipment. Proper installation of the lightbar requires the installer to have a thorough knowledge of automotive electronics, systems, and procedures. Lightbars provide an essential function of an effective visual warning system. The use of the lightbar does not insure that all drivers can or will abide by or react to an emergency warning signal, especially at high rates of speeds or long distances. The operator of the vehicle must never take the right of way for granted and it is the operator's responsibility to proceed safely. The effectiveness of the lightbar is highly dependant on the correct mounting and wiring. The installer must read and follow the manufacturer's installation instructions and warnings in the manual. The vehicle operator should verify daily that the lightbar is securely fastened to the vehicle and properly functioning before operating vehicle. The lightbar is intended for use by authorized personnel only. It is the user's responsibility to ensure they understand and operate the emergency warning devices in compliance with the applicable city, state and federal laws and regulations. SoundOff Signal assumes no liability for any loss resulting from the use of this warning device.

⚠ WARNING Please see next page for Technical Specifications

- HIGH CURRENT interconnects must be properly terminated. Poor crimp quality can cause heat build-up and fire. Follow crimp connector manufacturer instructions.
- DO NOT install this product or route any wires in the Air Bag Deployment Zone. Refer to vehicle Owner's Manual for deployment zones.
- Do NOT use system to disconnect headlights, brake lights or other safety equipment.
- Unit may become hot to touch during normal operation.
- Failure to properly install connectors, fuses or wiring may cause vehicle failure or fire.
- Installation must only be performed by trained technician. Installer must determine vehicle wiring configuration and proper integration of system.
- Use proper wire gauge. All power wires connecting to positive (+) or negative (-) battery terminal or local chassis ground (-) must be sized to supply at least 125% of max. current and properly fused at power source.
- Install protective grommets when routing wire through firewall or metal.

SoundOff
Signal 
Smart Design.

1.800.338.7337 / www.soundoffsignal.com

NOTICE:

Installers and users must comply with all applicable federal, state and local laws regarding use and installation of warning devices. *Improper use or installation may void warranty coverage. To review our Limited Warranty Statement & Return Policy for this or any SoundOff Signal product, visit our website at www.soundoffsignal.com/sales-support. If you have questions regarding this product, contact **Technical Services**, Monday - Friday, 8 a.m. to 5 p.m. or after hours 5 p.m. to 8 p.m. EST at 1.800.338.7337 (press #4 to skip the automated message). Questions or comments that do not require immediate attention may be emailed to techservices@soundoffsignal.com.*

SUPERIOR CUSTOMER RELATIONSHIPS. SMARTLY DESIGNED LIGHTING & ELECTRONIC SOLUTIONS.

TABLE OF CONTENTS

PG	CONTENT
1	COMPONENTS/ CONTENTS
2	TECHNICAL SPECIFICATIONS
3-4	MOUNTING INSTRUCTIONS
5-6	ELECTRICAL INSTALLATION
7	4 BUTTON REMOTE
8-9	FLASH PATTERN LIST
10-11	LIGHT MODULE REPLACEMENT
12	REPLACEMENT PARTS
13	nROADS TROUBLESHOOTING
14	WARRANTY AND RETURN GOODS PROCEDURE

Components/Contents

Standard Equipment:

- 1 - nROADS Mid or Mini Lightbar built to your specifications

Other Parts that may be included depending on your configuration:

- 2 - Fixed Height Mounting Brackets w/ Hardware or
- 1 - Magnet Mount Hardware Kit or
- 2 - Headache Brackets w/ Hardware

Unpack Lightbar

1. Remove the lightbar from box and packaging.
2. Save packaging for later shipping.
3. Check components/contents.
4. Please reference these instructions for proper wiring and installation.

Tools Required for Installation

- 7/16" Socket with ratchet
- Phillips Head Screwdriver
- Drill bit #30

⚠ WARNING

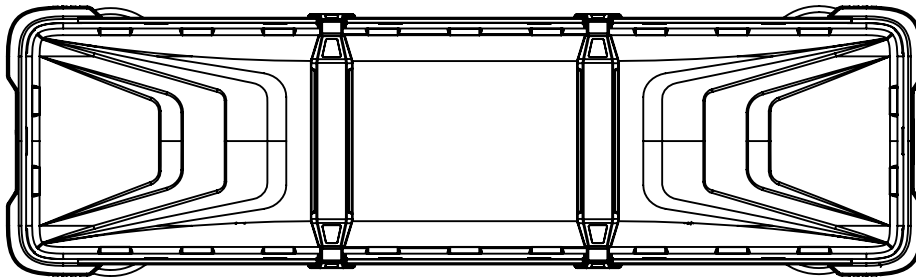
This product contains high intensity LED devices. To prevent eye damage, DO NOT stare into the light beam at close range.

TECHNICAL SPECIFICATIONS

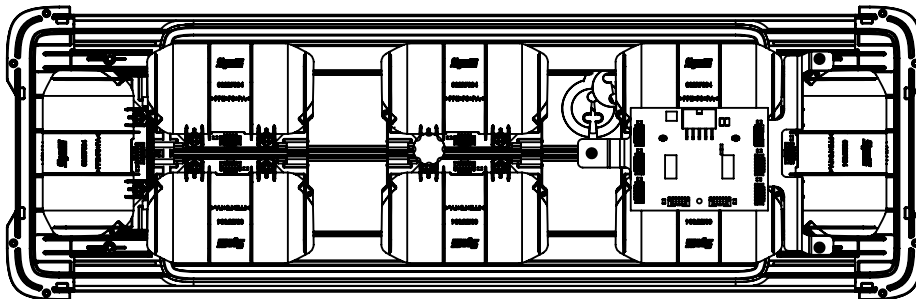
Dimensions:	Mini: 17.2" L (43.7cm) x 7.95" W (20.2cm) x 2.83" H (7.2cm) Mid: 24.25" L (61.6cm) x 7.95" W (20.2cm) x 2.83" H (7.2cm)
Input Voltage:	Discrete Wiring: 9-32Vdc Cig Plug, 4-Button Remote: 9-16Vdc
Operating Temp:	-40°-+65°C
Standby Current:	<0.0001 Amps after 10 seconds of no active control inputs
Reverse Polarity Protection:	Yes
Electrical Transient Protection:	ISO7637-2
Wiring:	Discrete Wiring : Approx. 18' length. Type TXL 4x 16AWG Power/Ground, 6x 20AWG Control Cig Plug: Approx. 13' length. Type NISPT-2 18 AWG Power/Ground

CURRENT CONSUMPTION

MODULE CONFIGURATION	LED COLOR	INPUT VOLTAGE RANGE	CURRENT DRAW @12.8Vdc	CURRENT DRAW @25.6Vdc	WATTS (FLASHING)
3 LED Single Color 6 LED Single Color 12 LED Dual Color 18 LED Tri Color	Amber Blue Green White	9-32Vdc	1.0 Amps	0.5 Amps	5.8 Watts
	Red	9-32Vdc	0.6 Amps	0.3 Amps	4.2 Watts
9 LED Dual Color	Amber Blue Green White	9-32Vdc	1.4 Amps	0.7 Amps	8.8 Watts
	Red	9-32Vdc	1.0 Amps	0.5 Amps	6.3 Watts
12 LED Single Color	Amber Blue Green White	9-32Vdc	1.8 Amps	0.9 Amps	11.7 Watts
	Red	9-32Vdc	1.4 Amps	0.7 Amps	8.3 Watts



TOP VIEW WITH COVERS ON



TOP VIEW WITH COVERS OFF

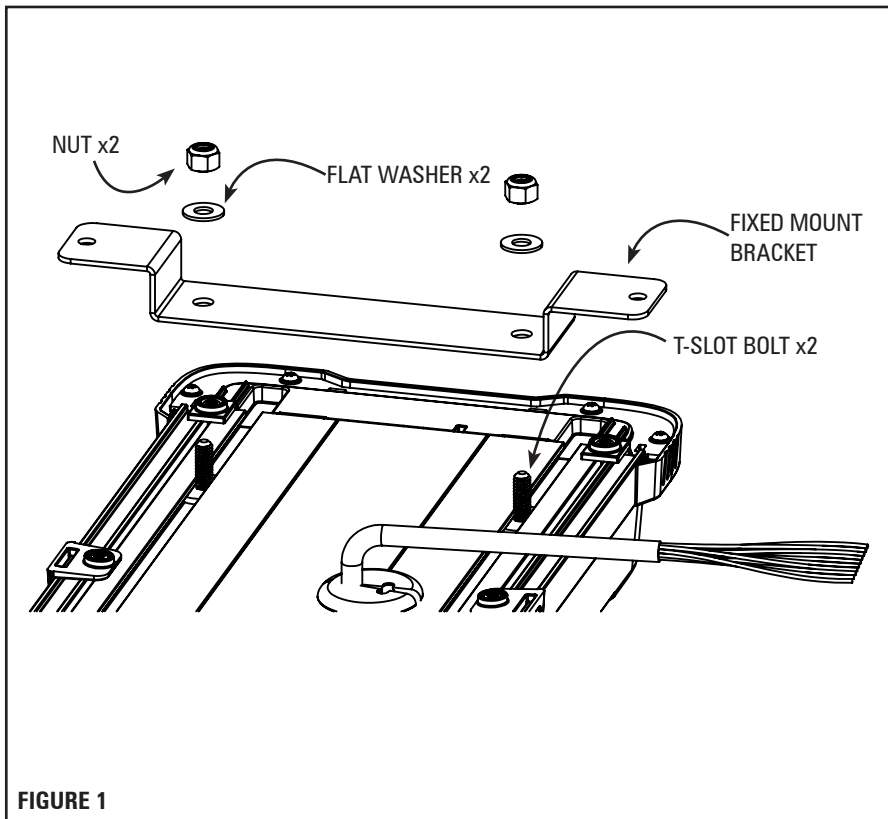


FIGURE 1

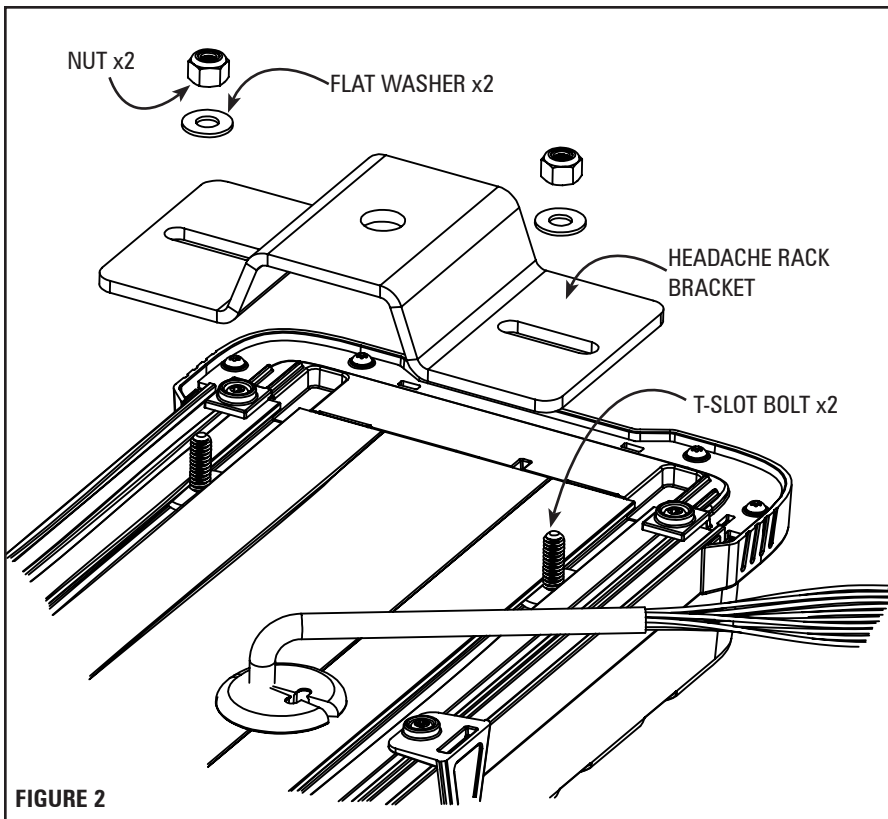


FIGURE 2

MOUNTING INSTRUCTIONS

FIXED MOUNT (Figure 1)

1. Locate the area you wish to install the nROADS Lightbar on the vehicle.
2. Using the brackets as a template, space them according to the width of the lightbar and mark your mounting holes.
3. Drill the mounting holes.
4. Slide the T-Slot bolt in the channels on the back of the lightbar.
5. Install the bracket over the T-Slot bolts.
6. Install the washer and nut on each T-Slot bolt but **DO NOT TIGHTEN**.
7. Install the lightbar with brackets on the bolts or holes you drilled in STEP 3 and tighten the mounting bolts.
8. Tighten nuts on T-Slot Bolts.

HEADACHE RACK MOUNT (Figure 2)

1. Locate the area you wish to install the nROADS Lightbar on the vehicle.
2. Using the brackets as a template, space them accordingly to the width of the lightbar and mark your mounting holes.
3. Drill the mounting hole.
4. Slide the T-Slot bolt in the channels on the back of the lightbar.
5. Install the bracket over the T-Slot bolts.
6. Install the washer and nut on each T-Slot bolt but **DO NOT TIGHTEN**.
7. Install the lightbar with brackets on the bolts or holes you drilled in STEP 3 to mount to the vehicle. Tighten vehicle mounting bolts.
8. Tighten nuts on T-Slot bolts.

⚠ WARNING

Route wires only in locations that are not subjected to potential wear. Make sure to avoid routing wires in the deployment area of your air bag. Refer to your vehicle's owner's manual for airbag deployment zone.

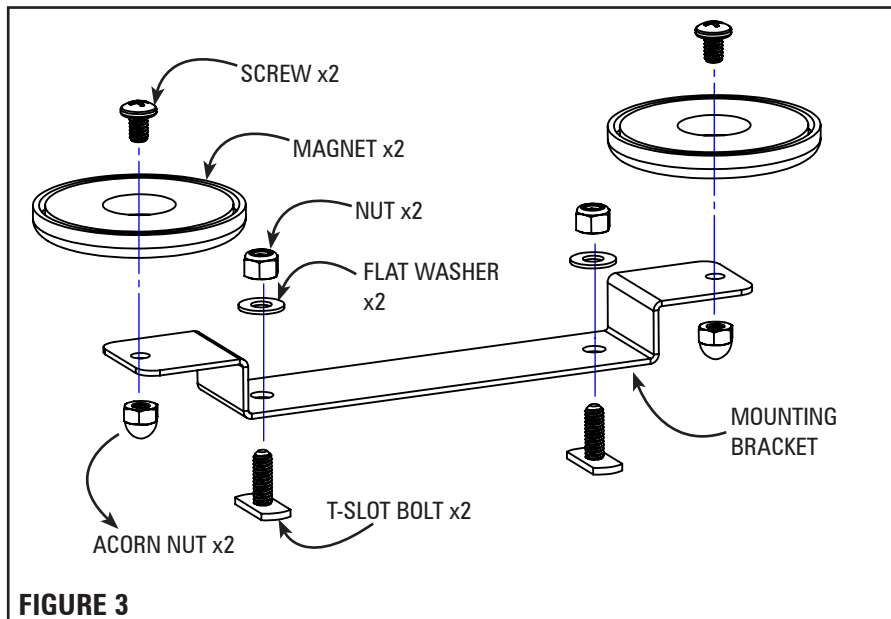


FIGURE 3

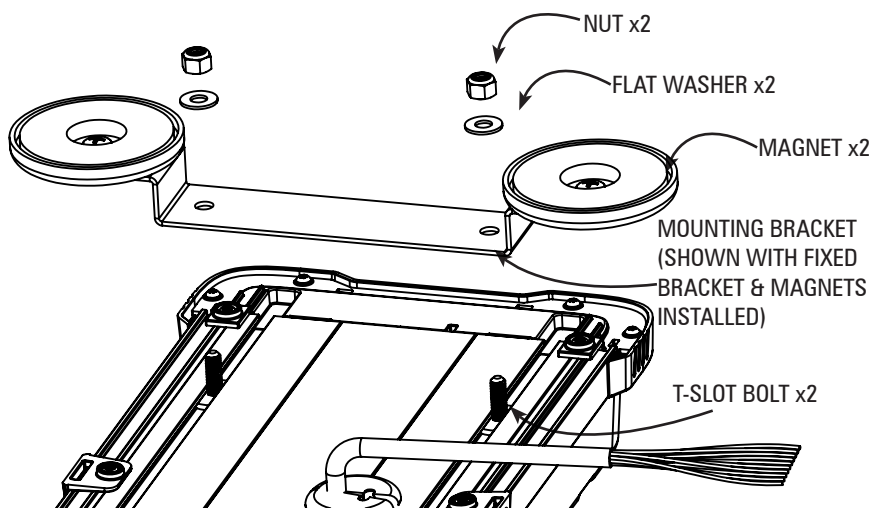


FIGURE 4

WARNING

Damages or injury may occur from improper use of a lighting product intended for vehicle use.

Auxiliary vehicle lighting products, when used on highway use vehicles, are always recommended to use secure, permanent mounting for maximum safety. In some instances, a more temporary vehicle attachment, such as optional magnet mounting (lighting product vehicle retention is based on magnets on the lighting product to the vehicle's steel/ferrous flat metal components) is offered. The effectiveness of magnet mounting is reduced by factors that include the contour, texture, curvature, snow, ice, and general cleanliness of the mounting location, and also with newer vehicle non-magnetic metal such as aluminum. Due to the potential for low effective magnetic mount retention, it is recommended to use magnets for stationary vehicle use. High driving speeds, rapid accelerations, or rapid decelerations (including accidents or rough road conditions or weather related conditions) may cause a magnet mounted light to unexpectedly detach from the vehicle.

It is the sole responsibility of the user to ensure proper mounting and safe operating conditions and end user awareness of the safe operating conditions.

MOUNTING INSTRUCTIONS Cont.

MAGNET INSTALLATION ON BRACKET

1. Place magnets over the holes in the fixed mount bracket as shown in figure 3.
2. Insert the provided screw in the opening and secure with the provided acorn nuts.

MAGNET MOUNT (Figures 3 & 4)

1. Install assembled bracket to lightbar as shown in Figure 3.
2. Locate the area you wish to install the nROADS Lightbar on the vehicle.
3. Place lightbar on vehicle.

CIG PLUG OPERATION (Figure 5)

1. See Figure 5 (below) for Power ON/OFF switch and Pattern SELECT switch.
2. Turn the lightbar on by pressing the POWER ON/OFF switch to the ON position.
3. To change the flash pattern press and hold the PATTERN switch for one to two (1-2) seconds until you see the lightbar flash the new pattern. The lightbar will advance one (1) flash pattern and flash the new pattern each time this is done.
4. The lightbar features non-volatile memory and will recall the last pattern used.
5. Selected pattern will remain the default once turned off and can be changed by changing the flash pattern before powering off.

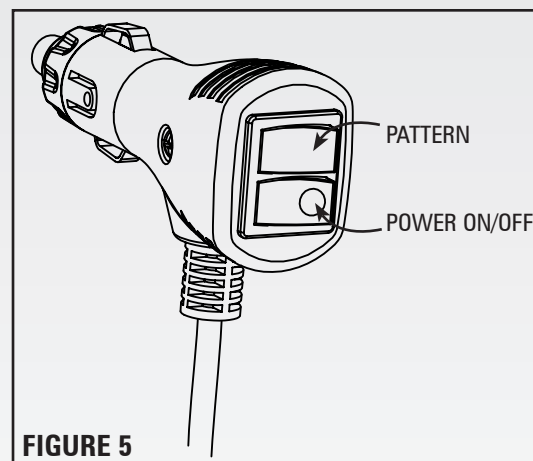


FIGURE 5

ELECTRICAL INSTALLATION (applies to permanent mounting options only)

Power Wires:

1. Route customer supplied power and ground cables which are properly sized for the current consumption of the lightbar (rated for a minimum of 125% above maximum current draw) between the power source (battery) and the beacon power and ground cables.
2. Install a maximum of 20Amp Fuse (customer supplied) to the end of the power cables as close to the power source (battery) as possible.
 - a. Remove the fuse before connecting any wires to the battery.
 - b. **DO NOT USE CIRCUIT BREAKER OR FUSIBLE LINK.**
3. Connect the other end of the Fuse to the POSITIVE (+) terminal of the battery.
 - a. Do NOT use any more than 2ft of wire between the battery terminal and the fuse and ensure the wire is protected and secured from being cut into; this is non-fused wire.
4. Connect the BLACK wire to the factory chassis ground right next to the battery and the the ground cables of the lightbar.

Control Wires (Blue, Orange, Yellow & Pink):

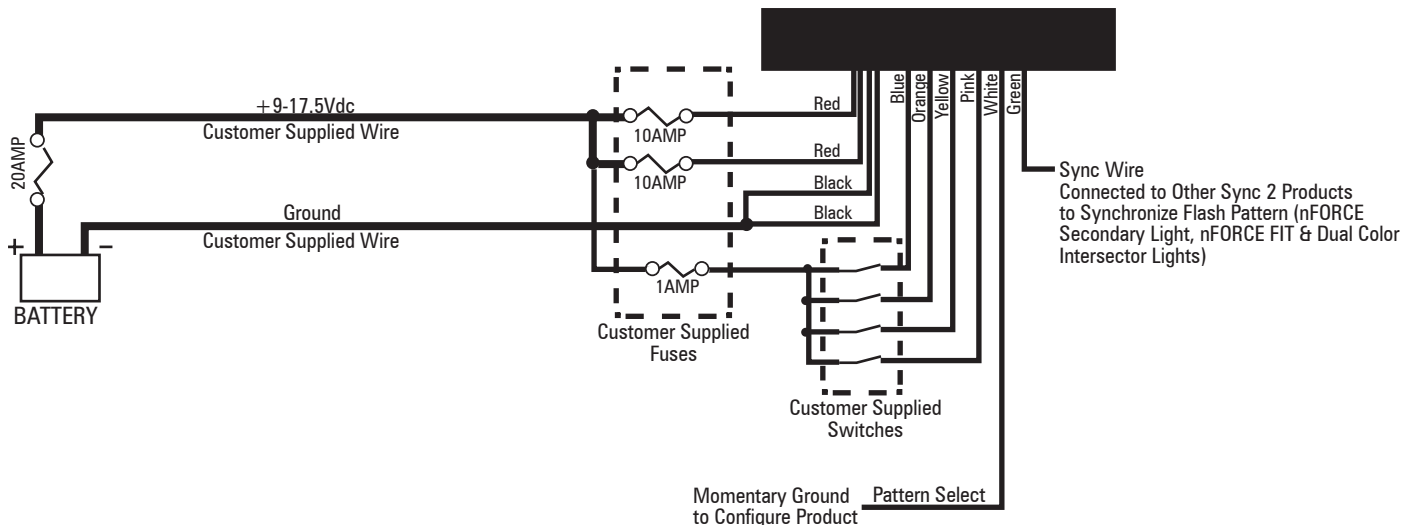
1. Route customer supplied wires between switch panel and the Blue, Orange, Yellow, and/or Pink wires. Use 20AWG type TXL wire as required to extend the length of the wires to reach the customer supplied switches.
2. The +12V supply to the control wires must be over-current protected to protect the wires and product against the possibility of a short circuit. A 1 amp fuse will be sufficient since the control wire inputs require less than 10mA per input to activate.

Sync Wire (Green):

1. Connect the green wire to other Sync2 compatible products (nFORCE Secondary Light, nFORCE FIT & Dual Color Intersector Lights) which are on the vehicle and need to synchronize the flash pattern. All product with the green wires connected must be operating the same flash pattern otherwise incorrect flash pattern timing will occur.
2. If synchronized flash patterns to other product are not required, blunt cut and tape the end of the green wire to ensure the wire is protected from being unintentionally grounded while in service.

Pattern Select/Configuration Wire (White):

1. Applying a momentary ground on the white wire will configure the product. Refer to the production configuration section of the installation instructions for setup.
2. **Once product is configured, blunt cut and tape the end of the white wire to ensure the wire is protected from being unintentionally grounded. while in service and changing the configuration.**



⚠ WARNING

ALL CUSTOMER SUPPLIED POWER WIRES CONNECTING TO THE POSITIVE (+) OR NEGATIVE (-) BATTERY TERMINAL OR LOCAL CHASSIS GROUND (-) MUST BE SIZED TO SUPPLY AT LEAST 125% OF THE MAXIMUM CURRENT AND PROPERLY FUSED AT THE POWER SOURCE WITH APPROPRIATELY RATED FUSE.

ELECTRICAL INSTALLATION (CONTINUED)

Product Configuration:

1. The four control wires (blue, orange, yellow and pink) can each be assigned a function from the flash pattern table, which include:
 - a. Output a pattern,
 - b. Enable a scene (where lights are steady on),
 - c. Enable cruise mode (lights are on dimly), or
 - d. Set lightbar to reduced power (night) mode.

2. Functionality is assigned to the control wires by applying +12V supply to the control wire and then grounding the white wire for a specific amount of time.
 - a. To advance the next function in the list, tap the white wire to ground for < 1 second.
 - b. To go back one function in the list, hold the white wire to ground for > 1 second and < 2 seconds.
 - c. To set the wire functionality to the default value, hold the white wire to ground > 2 second and < 3 seconds.
 - d. If pattern is changed, the pattern number will flash on the left and right corner modules with "10s" flashed on the left side and "1s" flashed on the right side.
 - e. For lightbars or devices with more than one color, hold the white wire to ground for > 3 seconds to set the color(s) used with the active control wire.

3. For lightbars or devices with multiple colors, the color(s) used for each control wire is set by grounding the white wire while applying +12V to the desired control wire for > 3 seconds.
 - a. After 3 seconds, each color will turn on for 1 second. Release the white wire during this time to set the control wire function to the displayed color.
 - b. Once all colors have been displayed, color combinations will light such that the 2 colors will alternate (½ second color 1 and ½ second color 2) for 3 times, followed by ½ second off. Release the white wire during this time to set the control wire function to the 2 flashing colors.
 - c. If no color chosen, light will go back to flashing the current pattern and no action will be taken.

4. The control board obtains information about the attached modules through a learning procedure that is performed in the factory. If the hardware is changed to modules of different types (e.g. colors are changed), the learning process will need to be repeated.
 - a. If device is a beacon, ensure DIP Switch 2 is ON. If Light bar it should be OFF.
 - b. To enable sync2 ensure DIP Switch 3 is ON. To disable sync2 ensure DIP Switch 3 is OFF.
 - c. Apply +12V to a control wire.
 - d. Move the DIP Switch 1 from OFF to ON and back to OFF to start the learning process.
 - e. After approximately 2 seconds (during which time the lights may flicker briefly), all lights of each color will turn on for 2 seconds each. Observe the modules to make sure they are the proper color.
 - f. After performing the learning process a color will need to be set to each activation wire. To do this follow instructions on page 5 section 3. Perform this function for all activation wires that will be used.

DIP SWITCH SETTINGS			
SW1	SW2	SW3	RESULT
ON			Use for Learning Process
OFF			
	ON		Beacon Mode
	OFF		Light bar Mode
		ON	Sync 2 Enabled
		OFF	Sync 2 Disabled

Operating Modes:

1. Flash Pattern

Light modules will flash with selected pattern. If multiple control wires are set to output a pattern are active simultaneously the wire with the highest priority will be active (Pink > Yellow > Orange > Blue).

2. Scene

Modules for scene will stay on continuously. If only some light modules are used for the scene then a flash pattern can be active on other light modules.

3. Cruise

Selected modules will stay on continuously at a dim value. Patterns and Scenes will take priority over a cruise function if both are active.

4. Low Power

If a low power functionality is enabled along with a pattern or scene, the pattern or scene will be active at a lower light output level.

5. Sleep

If no input is active, the device will enter a low power sleep mode.

IMPORTANT

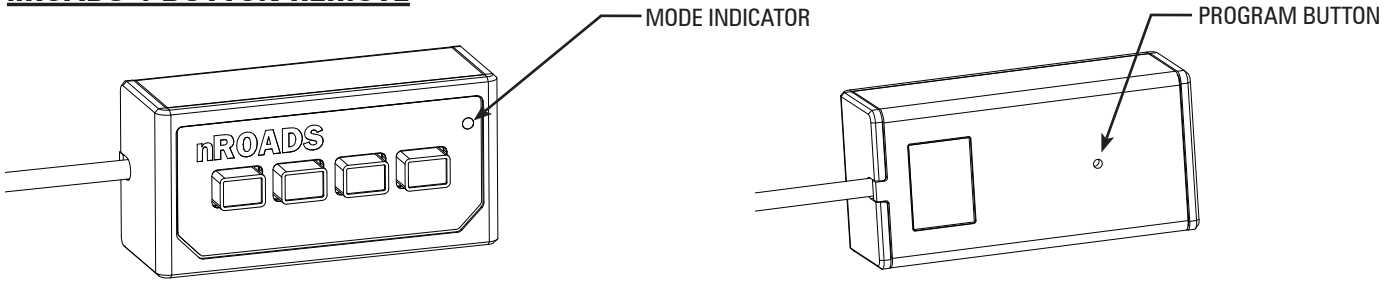
WHEN PASSING CABLES THROUGH FIREWALL OR OTHER SHEETMETAL, INSERT GROMMET TO PROTECT THE CABLE!

⚠ WARNING

Route wires only in locations that are not subjected to potential wear. Make sure to avoid routing wires in the deployment area of your air bag. Refer to your vehicle's owner's manual for airbag deployment zone.

nROADS®

nROADS 4-BUTTON REMOTE



Function:

The 4 button remote can be used to control the nROADS lightbar, when ordered with the corresponding cig plug power harness.

Each button on the remote simulates one of the 4 control wires as found on the discrete wire option.

Pressing a button once will activate the wire function (button backlight turns green.) Pressing the button a second time will de-activate the wire function (button backlight turns red.)

Configuring the Remote:

To configure the remote, activate one or more of the buttons on the front and then press the program button on the back (using a non conductive tool.) The mode indicator LED will flash to indicate the programming mode.

1. To change behavior of nROADS for a button/wire:
 - a. Activate ONE button and then press the program button.
 - b. Press and hold the same button in the same manner as programming with wires, where pressing the button now acts as holding the white programming wire.
 - c. Press program button to exit to normal operation.
2. To enable or disable buzzer when buttons are pressed:
 - a. Activate buttons 1 and 2 and then press the program button.
 - b. Press button 1 to toggle buzzer (green = enabled, red = disabled.)
 - c. Press program button to exit to normal operation.
3. To set the backlight level:
 - a. Activate buttons 1 and 3 and then press the program button.
 - b. Press button 1 to increase brightness or button 2 to decrease brightness.
 - c. Press button 4 to toggle whether remote will stay on if nothing active.
 - i. Button 4 green = remote will stay on as long as power is applied.
 - ii. Button 4 off = remote will turn off 10 seconds after all outputs are off.
 - d. Press program button to exit to normal operation.
4. To set green LED level:
 - a. Activate buttons 1 and 4 and then press the program button.
 - b. Press button 1 to increase brightness or button 2 to decrease brightness.
 - c. Press program button to exit to normal operation.
5. To display firmware version level:
 - a. Activate buttons 2 & 3 for remote or 2 & 4 for nROADS light bar version, then press program button.
 - b. Firmware version will blink on buttons:
 - i. Button 1 = major version number
 - ii. Button 2 = minor version number
 - iii. Button 3 = build version number
6. To bring nROADS module through learn mode (only needed if modules are changed):
 - a. Activate all 4 buttons and then press the program button.

Mode Button Flash Indications:

The mode button will flash red if an error occurs. The error mode is indicated by the number of blinks.

Programming Modes					
SW1	SW2	SW3	SW4	MODE	MODE LED
X				PROGRAM WIRE 1	CONTINUOUS FLASH
	X			PROGRAM WIRE 2	CONTINUOUS FLASH
		X		PROGRAM WIRE 3	CONTINUOUS FLASH
			X	PROGRAM WIRE 4	CONTINUOUS FLASH
X	X			ENABLE/DISABLE BUZZER	WINK 1
X		X		PROGRAM BACKLIGHT LEVEL	WINK 2
X			X	PROGRAM LED LEVEL	WINK 3
	X	X		DISPLAY REMOTE FW VERSION	OFF
	X		X	DISPLAY nROADS FW VERSION	OFF
X	X	X	X	LEARN MODE	OFF

Mode Button Flash Indications	
# OF BLINKS	ERROR MODE
1	Bus wire is shorted to ground or power.
2	No nROADS device detected.
3	Connected nROADS device firmware is too old and not compatible.
4	Connected device responded with error code.

nROADS®

FLASH PATTERNS

*fpm=Flashes per Minute
**fps=Flashes per Second

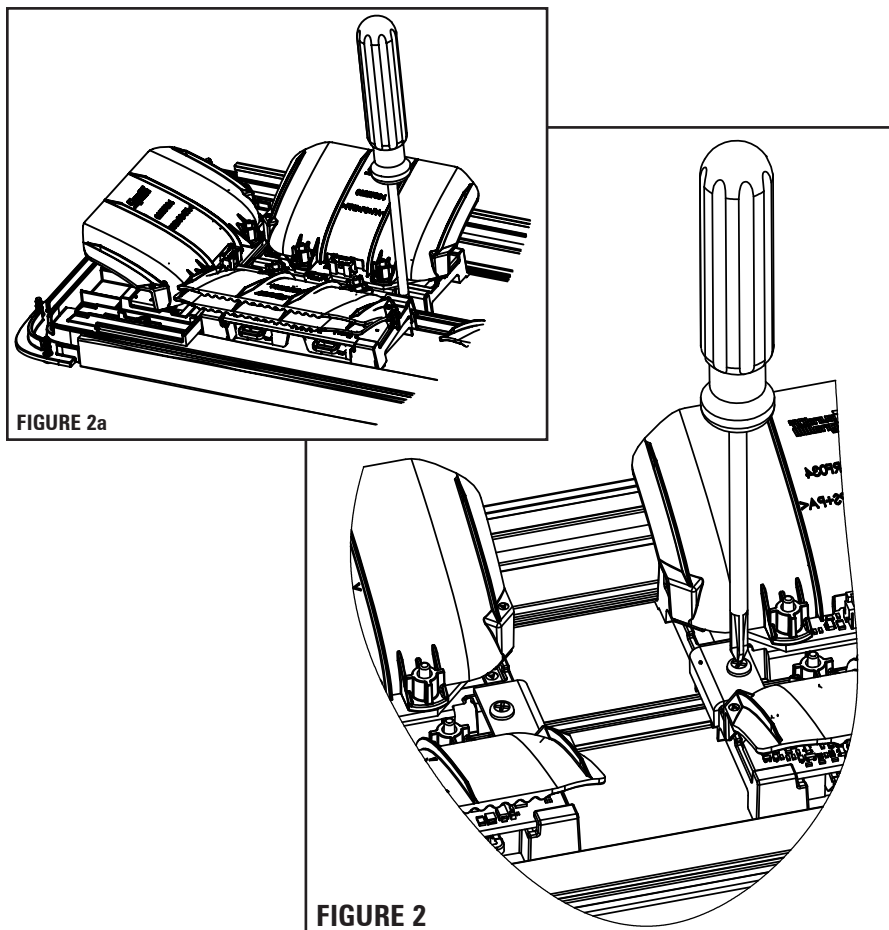
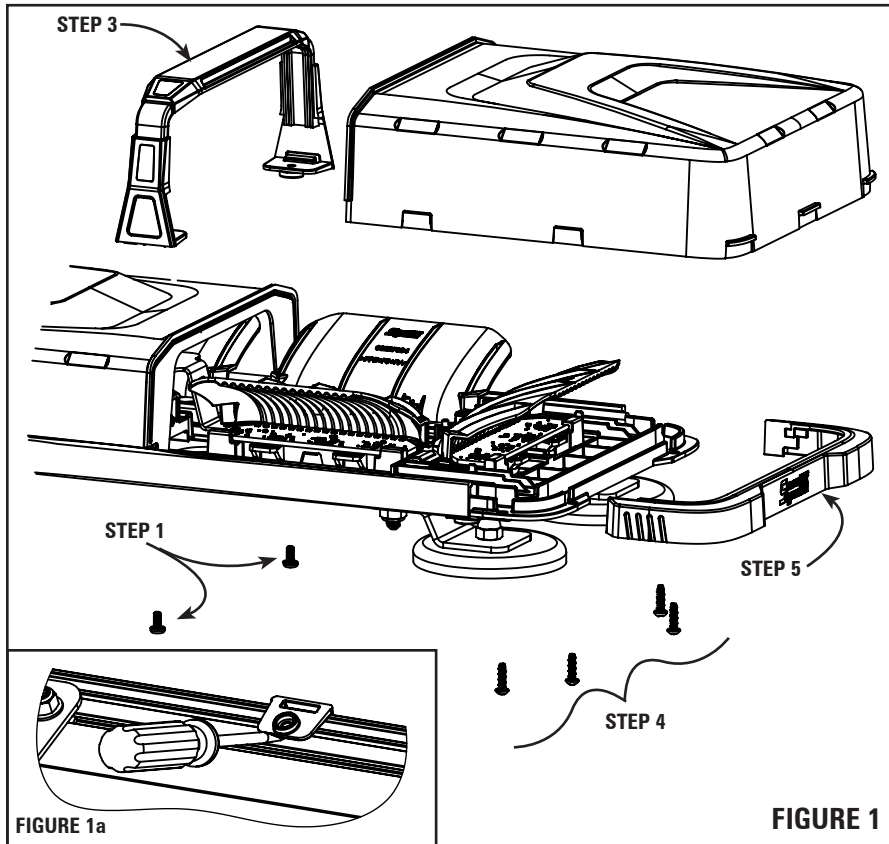
#	Name	SAE Compliant	Sequence	fpm	fps	nROADS to nROADS Compatible	Sync2 Compatible
0	RandomAction 1	Yes	Variable	-	-	Yes	n/a
1	RandomAction 2		Variable	-	-	Yes	n/a
2	RandomAction 3 (Blue wire/Cig Plug default)		Variable	-	-	LED Module Count Dependent	n/a
3	RandomAction 4 (Orange wire default)		Variable	-	-	LED Module Count Dependent	n/a
4	Rotate 250	Yes	Rotating	-	-	LED Module Count Dependent	n/a
5	Rotate 125	Yes	Rotating	-	-	LED Module Count Dependent	n/a
6	Race 200 (Rotate w/ Chaser)	Yes	Rotating	-	-	LED Module Count Dependent	n/a
7	Race 125	Yes	Rotating	-	-	LED Module Count Dependent	n/a
8	Race 100	Yes	Rotating	-	-	LED Module Count Dependent	n/a
9	Race 200 w/ TripplePop		Variable	-	-	LED Module Count Dependent	n/a
10	Cross-Fire		2X Individual Sweep	-	-	LED Module Count Dependent	n/a
11	Super Scan		Dual Rate Pulse/Alt	-	-	LED Module Count Dependent	n/a
12	Power Flash		Dual Rate Alt/Pulse	-	-	Yes	n/a
13	Thunder and Lightning		Random	-	-	Yes	n/a
14	8TriplePop	Yes	Sim	-	3.7, 1.5	Yes	n/a
15	Quint	Yes	Alt L/R	67	1.1	Yes	Yes
16	Quint	Yes	Sim	67	1.1	Yes	Yes
17	Quint	Yes	Alt ² /Sim	67	1.1	Yes	Yes
18	Quad2	Yes	Alt L/R	67	1.1	Yes	Yes
19	Quad2	Yes	Sim	67	1.1	Yes	Yes
20	Quad2	Yes	Alt ² /Sim	67	1.1	Yes	Yes
21	Q-Switch™		Variable		-	Yes	Yes
22	Double	Yes	Alt L/R	115	1.9	Yes	n/a
23	Double	Yes	Sim	115	1.9	Yes	n/a
24	Double	Yes	Alt ² /Sim	115	1.9	Yes	n/a
25	Power Pulse	Yes	Alt L/R	188	3.1	Yes	Yes
26	Power Pulse	Yes	Sim	188	3.1	Yes	Yes
27	Power Pulse	Yes	Alt ² /Sim	188	3.1	Yes	Yes
28	Road Runner	Yes	Alt L/R	115	1.9	Yes	Yes
29	Road Runner	Yes	Sim	115	1.9	Yes	Yes
30	Road Runner	Yes	Alt ² /Sim	115	1.9	Yes	Yes
31	Slow Runner	Yes	Alt L/R	70	1.2	Yes	n/a
32	Slow Runner	Yes	Sim	70	1.2	Yes	n/a
33	Slow Runner	Yes	Alt/Sim	70	1.2	Yes	n/a

#	Name	SAE Compliant	Sequence	fpm	fps	nROADS to nROADS Compatible	Sync2 Compatible
34	Warp		Alt L/R	333	5.6	Yes	Yes
35	Warp		Sim	333	5.6	Yes	Yes
36	Warp		Alt ² /Sim	333	5.6	Yes	Yes
37	Intercycle		Alt L/R	67 & 333	1.1 & 5.6	Yes	Yes
38	Intercycle		Sim	67 & 333	1.1 & 5.6	Yes	Yes
39	Intercycle		Alt ² /Sim	67 & 333	1.1 & 5.6	Yes	Yes
40	Warp 1, 2, 3		Alt L/R	115-333	1.9 - 5.6	Yes	n/a
41	Warp 1, 2, 3		Sim	115-333	1.9 - 5.6	Yes	n/a
42	Warp 1, 2, 3		Alt ² /Sim	115-333	1.9 - 5.6	Yes	n/a
43	Recurrent		Sim	70	1.16	Yes	n/a
44	Quad Pulse-Pop		Sim	75	1.25	Yes	Yes
45-69	RESERVED FOR FUTURE						
70	All Cruise 3%		Cruise Mode Control (pattern overlay capable)			n/a	n/a
71	All Cruise 7% (Yellow wire default)		Cruise Mode Control (pattern overlay capable)			n/a	n/a
72	Left Scene		Scene Control			n/a	n/a
73	Right Scene		Scene Control			n/a	n/a
74	Front Scene		Scene Control			n/a	n/a
75	Rear Scene		Scene Control			n/a	n/a
76	All Scene		Scene Control			n/a	n/a
77	Low Power 30%		Low Power Mode Control (1 Wink)			n/a	n/a
78	Low Power 50% (Pink wire default)		Low Power Mode Control (2 Wink)			n/a	n/a
79*	Bottom Scene		Scene Control			n/a	n/a
80*	Top Scene		Scene Control			n/a	n/a

Sync2 Compatibility Chart (nFORCE Secondary, nFORCE FIT, Dual Color Intersector)

PATTERN #	SINGLE COLOR	DUAL COLOR	TRI-COLOR	nROADS Compatible
1		QUINT		Yes
2		WARP		Yes
3		INTER-CYCLE		Yes
4		DOUBLE		-
5		QUAD		-
6		POWER PULSE		Yes
7		ROAD RUNNER		Yes
8		Q-SWITCH		Yes
9		STEADY-BURN / ROADRUNNER		Yes
10		STEADY-BURN DRIVER TITLE 13 QUAD		-
11		QUAD 2		-
12		DOUBLE 2		-
13		RANDOM 1		-
14		RANDOM 2		-
15		QUAD PULSE - POP		Yes

NOTE:
For Simultaneous or Alternating flash pattern, set the sequence type on the secondary product.



LIGHT MODULE REPLACEMENT

LENS REMOVAL (Figure 1)

1. Remove two (or four on the Mid-size bar) screws at the cover strap.
2. Lightly pry the strap with a screw driver to unhook one end. (Figure 1a)
3. Fully remove the strap from the lightbar.
4. Remove four screws on black end cap.
5. Rotate the endcap away from the base and pull away from the lens.
6. Press lens side walls and lightly pry up to release the lens from the base.

REMOVE LIGHT MODULE (Figure 2)

1. If replacing an inboard module, use a Phillips head screwdriver and remove the L-bracket(s) holding the module in place.
2. Insert a flat head screwdriver between the black light module and aluminum base to release the snap as shown in Figure 2.
3. Remove tension from the module then lightly lift and rotate to the outside of the lightbar; the modules will come out.
4. Remove the wire harness from the module.

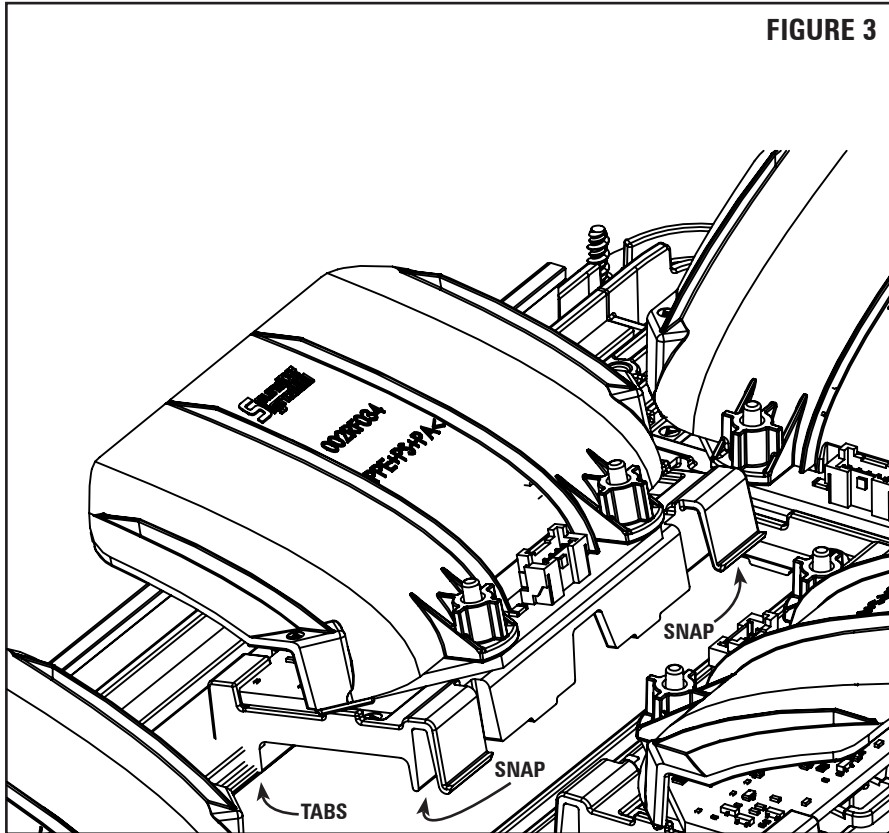


FIGURE 3

LIGHT MODULE REPLACEMENT CONT.

REPLACE LIGHT MODULE FIGURE 3

1. The light module has four mounting features, two tabs and two snaps. Insert the two tabs under the inner lip of the base, at a slight angle.
2. Once the two tabs are secure in the base, push the module down in the "rear" near the plug of the wire harness, this will engage the snaps.
3. Make sure the snaps are seated and the module does not rock or freely move.
4. If replacing an inboard module, reinstall the L-bracket(s) to help hold the module in place.
5. Plug in the wire harness
6. Replace lens covers.

REPLACE LENS FIGURE 4

1. Check the seal for gaps and make sure the seal is properly seated on the base.
2. Position the lens above the base, aligning to the base and adjacent lens as shown in figure 4.
3. Push down on the lens to engage the four temporary snaps into the aluminum base.
4. Align lens strap to Lens as shown in figure 4a.
5. Hook Lens strap into base, snapping the foot into the aluminum base.
6. Replace the two (or 4 if Mid Size bar) screws into the Lens Strap that were removed in LENS REMOVAL Step 1 (#2 Phillips).
7. Replace the end cap, secure with the four that were removed in LENS REMOVAL Step 4 (T15 screws).

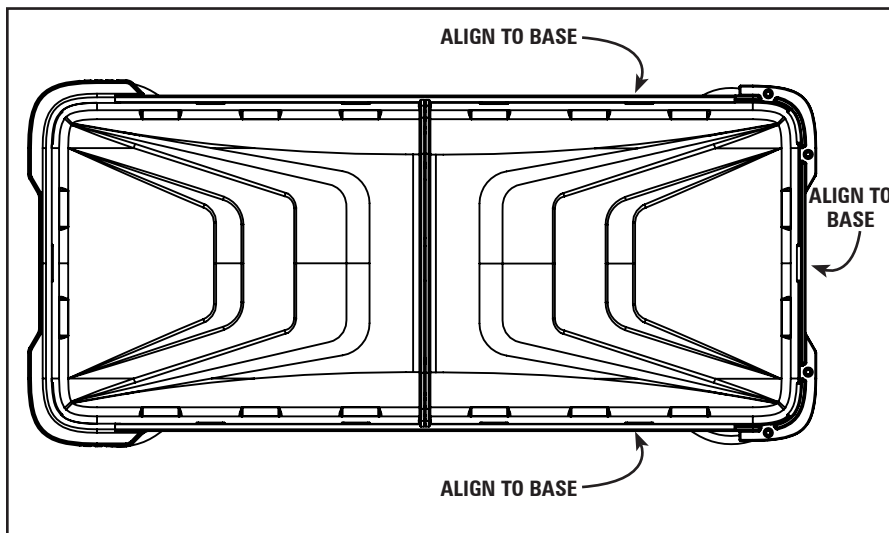


FIGURE 4a

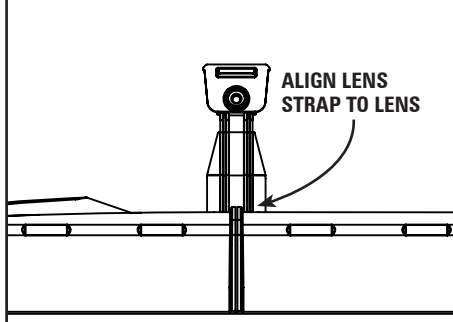
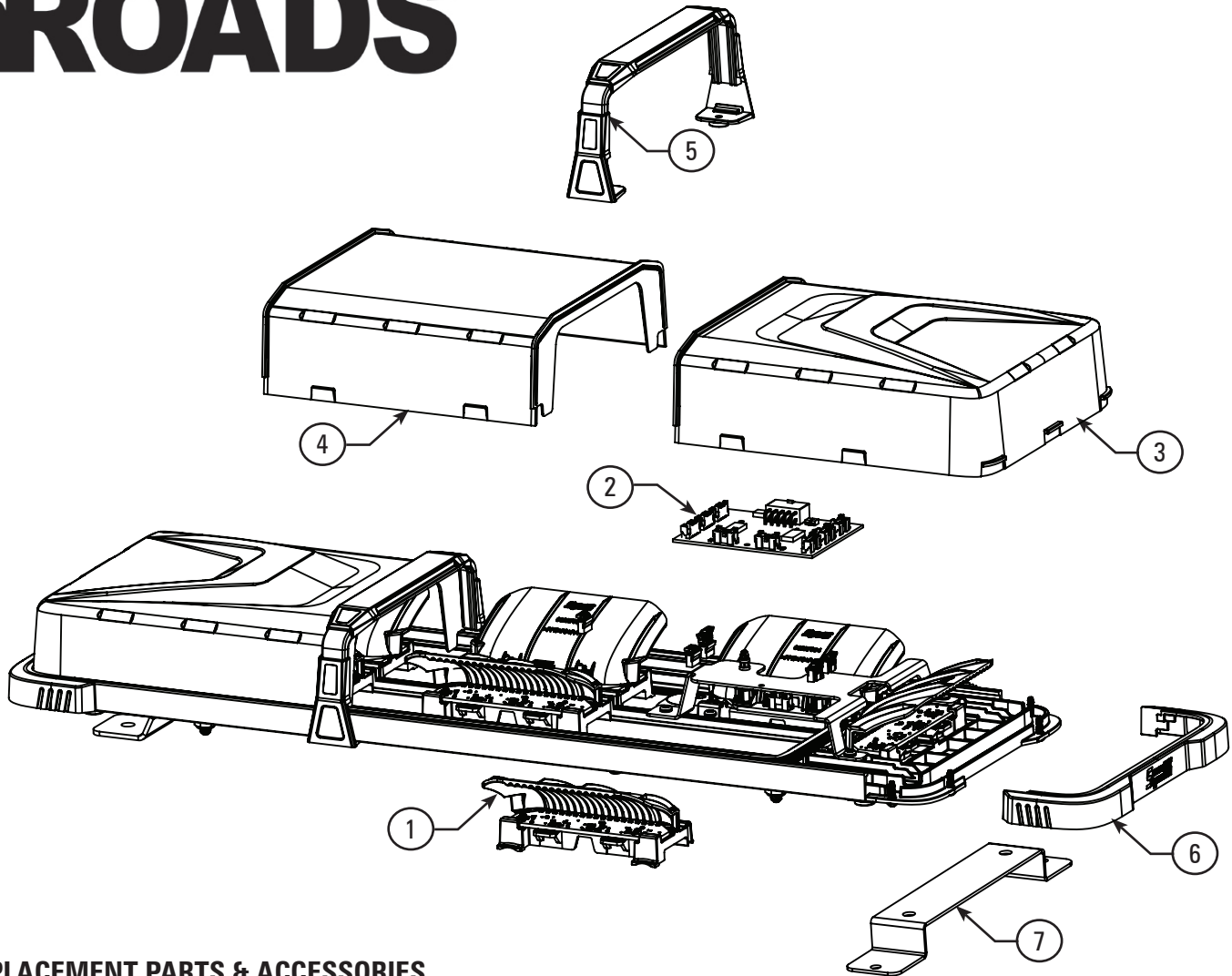


FIGURE 4



REPLACEMENT PARTS & ACCESSORIES

ITEM #	PART#	DESCRIPTION
1	PNRLBLSS203(x)	REPLACEMENT MOD. - 3 LED SINGLE COLOR
1	PNRLBLSS206(x)	REPLACEMENT MOD. - 6 LED SINGLE COLOR
1	PNRLBLSS209(x)	REPLACEMENT MOD. - 9 LED SINGLE COLOR
1	PNRLBLSS212(x)	REPLACEMENT MOD. - 12 LED SINGLE COLOR
1	PNRLBLSD206(x)	REPLACEMENT MOD. - 6 LED DUAL COLOR
1	PNRLBLSD212(x)	REPLACEMENT MOD. - 12 LED DUAL COLOR
1	PNRLBLST218(XXX)	REPLACEMENT MOD. - 18 LED TRI COLOR
2	PNRBCDRV1	DRIVER W/O CONNECTOR
3	PNRLBDMECA	AMBER ENDCAP DOME
3	PNRLBDMECC	CLEAR ENDCAP DOME
4	PNRLBDMMSA	AMBER MIDDLE SHORT DOME
4	PNRLBDMMSC	CLEAR MIDDLE SHORT DOME
5	PNRLBDMSTB	BLACK DOME STRAP
6	PNRLBEXECB	BLACK EXTRUSION ENDCAP
	PNRLBHNMD1	SHORT MODULE HARNESS
	PNRLBHNMD2	MIDDLE MODULE HARNESS
	PNRLBHNMD3	LONG MODULE HARNESS
7	PNRLBK00	STD FIXED HEIGHT FOOT (EACH)
	PNRLBK01	MAGNET ADDER KIT (PER FOOT)

ITEM #	PART#	DESCRIPTION
	PNRLBK02	HEADACHE FOOT (EACH)
	PNRLBHNP1	CIG PLUG POWER HARNESS
	PNRLBHNP2	DIRECT CONNECT POWER HARNESS
	PNRLBHNP3	4-BUTTON REMOTE CIG PLUG POWER HARNESS
	PCPNR4HN1	4-BUTTON REMOTE JUMPER HARNESS
	PCPNR401	4-BUTTON REMOTE

nROADS TROUBLESHOOTING

Normal Operation

Under normal operation the Light Bar will Flash when a combination of the four control inputs are connected to +Vdc. The Light Bar is OFF and in a low power Standby Mode after 10 seconds of no active control inputs

No Operation

- No Power; Check Red main Power feeds have a solid connection with +Vdc present on the wire post fuse. A minimum of +9Vdc is required. Replace fuse if necessary.
- Verify Red main Power feeds have not exceeded voltage cutoff threshold of +17.5Vdc. Lower voltage to regain operation.
- Check Black main Ground feeds have a solid and low resistance connection to ground.
- No Lights; Verify at least one of the four control inputs is present with +Vdc.
- Verify pattern is able to advance and control wire is not set to a Low power mode, pattern 50-51. (Blue wire default)
- Perform product configuration (pg. 6). If still no operation, perform a factory reset by removing top cover and accessing the driver board (pg. 9). Verify dip switch setting is SW1 OFF, SW2 OFF, SW3 is ON.

No or Incorrect Warning Light Flash

- No operation; Verify correct Control Input wire is present with +Vdc.
- Verify pattern is able to advance and control wire is not set to a Low power mode, pattern 50-51. (Blue wire default)
- Perform product configuration (pg. 6). If still no operation, perform a factory reset by removing top cover and accessing the driver board (pg.9). Verify dip switch setting is SW1 OFF, SW2 OFF, SW3 is ON.
- Incorrect/Undesired operation; Check that another control input is not active which has Flash priority over current control input. (pg. 6).
- Low Power and Scene Light override flashing mode regardless of wire priority. Remove Low Power or Scene light control input.

No or Incorrect Scene Lights

- No Lights; Verify correct Control Input wire is present with +Vdc.
- Verify pattern is able to advance and control wire is set to pattern 45-49.
- Perform wire setup (pg. 6). If still no operation, perform a factory reset by removing top cover and accessing the driver board (pg.9). Verify dip switch setting is SW1 OFF, SW2 OFF, SW3 is ON.
- Incorrect/Undesired operation; Check that another control input does not have an active Scene with priority over current control input. (pg. 6). Low Power overrides Scene Light wire priority. Remove Low Power control input.

No or Incorrect Synchronization

- No or Incorrect syncing; Verify green wires are connected between all required Sync 2 products.
- Verify Flash patterns are set to the same one. Patterns 12-42 are sync capable with all nROADS to nROADS.
- Depending on led module count, Random and rotating patterns (0-11) may not sync correctly between products (ex. Mini-Lightbar & Dual Stack Beacon). Scene, Cruise or Low Power are not sync capable.
- If patterns still do not sync, remove top cover and check dip switch setting on driver board. SW3 must be ON for correct sync functionality.
- Erratic Flash Verify Flash patterns are set to the same one.
- Check that the green and/or white wire is not being intermittently shorted to ground. Securely seal all connections.



WARRANTY & RETURN GOODS PROCEDURE

CLEANING & CARE OF YOUR LIGHTBAR:

Keeping the lenses clean and scratch free will optimize the performance of the lightbar. The exterior of the lightbar including lenses should be cleaned with mild soapy water and a soft cotton cloth to remove dirt, grime and insects. Never use window cleaners or harsh chemicals on the lenses; this may cause failure of the lenses or reduce clarity resulting in the reduction of light output.

MOUNTING INTEGRITY:

A review of bolt/hardware/mounting bracket integrity should be performed at the beginning and end of each shift.

WARNING MESSAGES - PLEASE READ: _____

WARNING - DRILLING ANY HOLES INTO THE LIGHTBAR IS NOT RECOMMENDED! THE RISK OF DAMAGING INTERNAL COMPONENTS AND THE RESULTING FAILURE OF THE LIGHTBAR WILL VOID ANY WARRANTY OF THIS PRODUCT.

WARNING - CARE MUST BE TAKEN WHEN DRILLING THROUGH THE ROOF OF THE VEHICLE NOT TO DRILL INTO ANY EXISTING WIRING AND NOT TO DRILL THROUGH THE HEADLINER OR SUPPORT MEMBERS OF THE VEHICLE. CHECK BOTH SIDES OF THE MOUNTING SERVICE PRIOR TO DRILLING. DE-BURR ANY HOLES AND REMOVE ANY METAL SHARDS OR REMNANTS. INSTALL GROMMETS INTO ALL WIRE PASSAGE HOLES.

WARNING - ROUTE WIRES ONLY IN LOCATIONS THAT ARE NOT SUBJECTED TO POTENTIAL WEAR. MAKE SURE TO AVOID ROUTING WIRES IN THE DEPLOYMENT AREA OF YOUR AIR BAG. REFER TO YOUR VEHICLE OWNER'S MANUAL FOR AIR BAG DEPLOYMENT ZONES.

WARNING - ALL CUSTOMER SUPPLIED POWER WIRES CONNECTING TO THE POSITIVE (+) OR NEGATIVE (-) BATTERY TERMINAL OR LOCAL CHASSIS GROUND (-) MUST BE SIZED TO SUPPLY AT LEAST 125% OF THE MAXIMUM CURRENT AND PROPERLY FUSED AT THE POWER SOURCE WITH APPROPRIATELY RATED FUSE.

IMPORTANT: When passing cables through fire wall or other sheet metal, insert grommet to protect the cable!

WARRANTY RETURN PROCESS:

Please contact your SoundOff Signal Sales Representative, Customer Services staff or our Technical Department (800.338.7337 option#4) for a RMA #, Return Merchandise Authorization Number.

The following information is required for issuance of the RMA #:

- Reason for returning the product*
- Address where replacement product is to be shipped*
- Telephone number where you may be reached*
- SoundOff Signal invoice number on which product was purchased**
- SoundOff Signal part number and serial number**
- E-mail address where RMA # should be e-mailed**
- Fax number where RMA # should be faxed**

* RMA # will not be given without this information.

** If available, please provide this information.

SoundOff Signal will NOT accept returns without an RMA #. Each RMA # is good for only one (1) return and will expire (30) days after the date it was issued. Products must be shipped back to SoundOff Signal and the RMA # clearly marked on the outside of the package near the shipping label. Please use the following address on your shipping label:

SoundOff Signal
ATTN: RMA # / Technical Services
3900 Central Parkway
Hudsonville, MI 49426

WARRANTY EXCLUSIONS:

Shipping & Handling, labor and service fees are non-refundable. SoundOff Signal is not liable for any damage due to installation or personal injury as a result of using SoundOff Signal product.

WARRANTY FORFEITURE:

Warranty will not be granted if the Warranty Return Policy & Procedure rules are not strictly followed. Physical damage resulting from customer abuse will void warranty. Warranty will also be voided if any SoundOff Signal and/or manufacturer serial tags, product stickers, seals, or the like, are removed, altered or tampered with. Returned product that is damaged by shipping via the RMA # procedure is not the responsibility of SoundOff Signal.

Document effective date on cover and below supersedes previously dated policies and statements.

There are no other warranties, expressed or implied, including, but not limited to, any implied merchantability or fitness for a particular use. SoundOff Signal reserves the right to modify this warranty statement at any time; or to discontinue, modify, or upgrade any products of its manufacture with design improvements without prior notice.

nROADS®

BARRA DE LUZ MEDIANA Y MINI

BARRA MINI

MONTAJE MAGNÉTICO - ENRMBSSM(x)117(xxxx)

MONTAJE EN BASTIDOR DE SEGURIDAD - ENRMBSSH(x)117(xxxx)

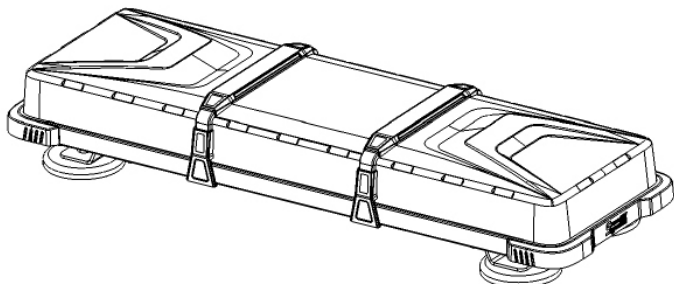
MONTAJE FIJO ESTÁNDAR - ENRMBSSS(x)117(xxxx)

BARRA MEDIANA

MONTAJE MAGNÉTICO - ENRMBSSM(x)124(xxxx)

MONTAJE EN BASTIDOR DE SEGURIDAD - ENRMBSSH(x)124(xxxx)

MONTAJE FIJO ESTÁNDAR - ENRMBSSS(x)124(xxxx)



AVISO IMPORTANTE PARA EL INSTALADOR: Asegúrese de leer y comprender todas las instrucciones y advertencias antes de proceder a la instalación de este producto. Asegúrese de entregar el manual y toda tarjeta de advertencia al usuario final de este equipo. La correcta instalación de la barra de luz requiere que el instalador cuente con un conocimiento exhaustivo de electrónica, sistemas y procedimientos automotrices. Las barras de luces proveen la función esencial de un sistema de advertencia visual efectivo. El uso de la barra de luz no asegura que todos los conductores puedan, se atengan a o reaccionen ante una señal de advertencia de emergencia, especialmente a altas velocidades o largas distancias. El operador del vehículo nunca debe dar por sentado la prioridad de paso y es la responsabilidad del operador proceder de manera segura. La efectividad de la barra de luz depende en gran medida del correcto montaje y cableado. El instalador debe leer y respetar las instrucciones de instalación y las advertencias en el manual del fabricante. El operador del vehículo debe verificar a diario que la barra de luz esté ajustada de manera segura al vehículo y que funcione correctamente antes de poner el vehículo en funcionamiento. La barra de luz está prevista para que la utilice únicamente personal autorizado. Es responsabilidad del usuario asegurar la comprensión y operar los dispositivos de advertencia de emergencia en cumplimiento con las leyes y normativas locales, estatales y federales aplicables. SoundOff Signal no asume responsabilidad alguna por cualquier pérdida que pudiera resultar del uso de este dispositivo de advertencia.

Consulte la página siguiente para obtener las especificaciones técnicas

ADVERTENCIA

- **ALTA CORRIENTE:** las interconexiones deben estar debidamente terminadas. La calidad deficiente del engarzado puede causar la acumulación de calor e incendios. Siga las instrucciones del fabricante para el conector de engarzado.
- **NO instale este producto ni trace ningún cableado en la zona de despliegue de la bolsa de aire.** Consulte el manual del propietario del vehículo para obtener información acerca de las zonas de despliegue.
- **NO utilice el sistema para desconectar los faros delanteros, las luces de freno u otros equipos de seguridad.**
- Durante el funcionamiento normal la unidad podría estar caliente al tacto.
- La instalación incorrecta de los conectores, fusibles o cableado podría causar la falla o el incendio del vehículo.
- La instalación debe ser realizada únicamente por un técnico capacitado. El instalador debe determinar la configuración del cableado del vehículo y la integración adecuada del sistema.
- Utilice un calibrador de cables adecuado. Todos los cables de alimentación conectados a un terminal de batería positivo (+) o negativo (-) o a la masa del chasis local (-) deben tener la dimensión adecuada para suministrar al menos 125 % de la corriente máxima y deben estar correctamente unidos con fusible a la fuente de energía.
- Instalar arandelas protectoras cuando se trace el cableado a través del cortafuego o metal.

**SoundOff
Signal** 
Smart Design.

1.800.338.7337 / www.soundoffsignal.com

AVISO:

Los instaladores y usuarios deben cumplir todas las leyes federales, estatales y locales con respecto al uso y la instalación de dispositivos de advertencia.

El uso o la instalación incorrecta podrían anular la cobertura de la garantía. Para revisar nuestra Declaración de garantía limitada y Política de devolución para este o cualquier producto de SoundOff Signal, visite nuestro sitio web www.soundoffsignal.com/sales-support. Si tiene alguna consulta con respecto a este producto, comuníquese con **Servicios técnicos** de lunes a viernes de 8 a. m. a 5 p. m. al 1.800.338.7337 (presione el n.º 4 para pasar el mensaje automático). Las preguntas o comentarios que no requieren una atención inmediata pueden enviarse por correo electrónico a techservices@soundoffsignal.com.

ÍNDICE

PÁG.	CONTENIDO
1	COMPONENTES/CONTENIDOS
2	ESPECIFICACIONES TÉCNICAS
3-4	INSTRUCCIONES DE MONTAJE
5-6	INSTALACIÓN ELÉCTRICA
7	4 BOTONES REMOTO
8-9	LISTA DE PATRONES DE PARPADEO
10-11	REEMPLAZO DEL MÓDULO DE LUCES
12	PIEZAS DE REEMPLAZO
13	SOLUCIÓN DE PROBLEMAS DE nROADS
14	GARANTÍA Y PRODUCTOS DEVUELTOS/PROCEDIMIENTO

Componentes/Contenidos

Equipo estándar:

- 1 -Barra de luz mediana o mini nROADS construida de acuerdo con nuestras especificaciones

Se pueden incluir otras piezas según la configuración:

- 2 -Soportes de montaje de altura fija con hardware
- 1 -Kit de hardware de montaje magnético o
- 2 -Soportes de seguridad con hardware

Desembalar la barra de luz

1. Retirar la barra de luz de la caja y el empaque.
2. Reservar el empaque para el posterior envío.
3. Verificar los componentes/contenidos.
4. Consultar estas instrucciones para un cableado e instalación correcto.

Herramientas para la instalación

- Llave de tubo con trinquete de 7/16"
- Destornillador Phillips
- Broca n.º 30

ADVERTENCIA

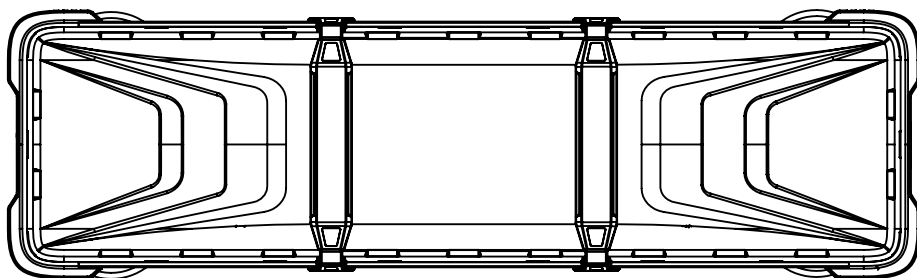
Este producto contiene dispositivos LED de alta intensidad. Para prevenir el daño ocular, NO mirar directamente al rayo de luz a corta distancia.

ESPECIFICACIONES TÉCNICAS

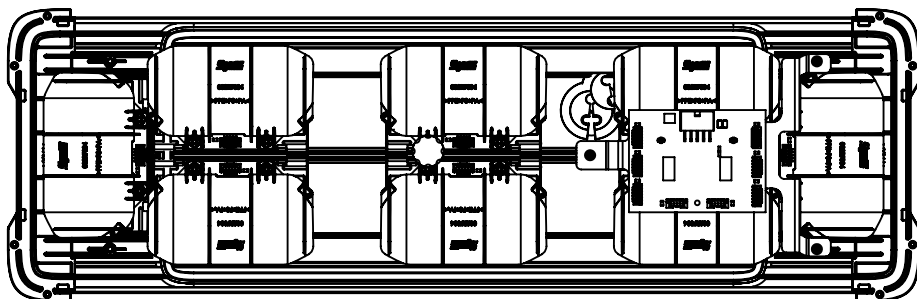
Dimensiones:	Mini: 43,7 cm (17,2") largo x 20,2 cm (7,95") ancho x 7,2 cm (2,83") alto Mediana: 61,6 cm (24,25") largo x 20,2 cm (7,95") ancho x 7,2 cm (2,83") alto
Voltaje de entrada:	9-17,5 V CC
Temp. de funcionamiento:	-40 °C -+ 65 °C
Corriente de reserva:	<0,0001 amp después de 10 segundos sin entradas de control activo
Protección de polaridad inversa:	Sí
Protección transitoria eléctrica:	ISO7637-2 para sistemas de 12 V
Cableado:	Aprox. 45 cm (18") de longitud. Tipo TXL 4x 16 AWG potencia/ tierra, 6x 20 AWG control

CONSUMO DE CORRIENTE

MODULE CONFIGURATION	LED COLOR	RANGO DE TENSIÓN DE ENTRADA	CONSUMO DE CORRIENTE A 12,8 V CC	CONSUMO DE CORRIENTE A 25.6 V CC	INTERMITENCIA DE WATTS (FLASHING)
3 LED color único 6 LED color único 12 LED color doble 18 LED tres colores	Ámbar Azul Verde Blanco	16-32Vdc	1.0 Amps	0.5 Amps	5.8 Watts
	Rojo	16-32Vdc	0.6 Amps	0.3 Amps	4.2 Watts
9 LED color doble	Ámbar Azul Verde Blanco	16-32Vdc	1.4 Amps	0.7 Amps	8.8 Watts
	Rojo	16-32Vdc	1.0 Amps	0.5 Amps	6.3 Watts
12 LED color único	Ámbar Azul Verde Blanco	16-32Vdc	1.8 Amps	0.9 Amps	11.7 Watts
	Rojo	16-32Vdc	1.4 Amps	0.7 Amps	8.3 Watts



VISTA SUPERIOR CON CUBIERTAS



VISTA SUPERIOR SIN CUBIERTAS

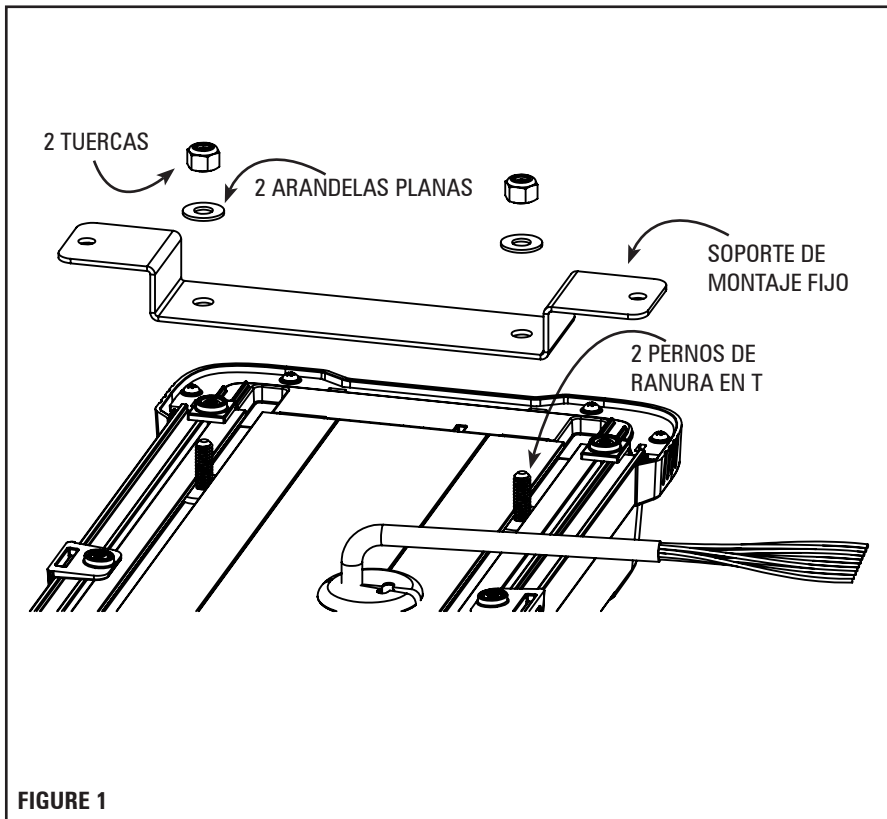


FIGURE 1

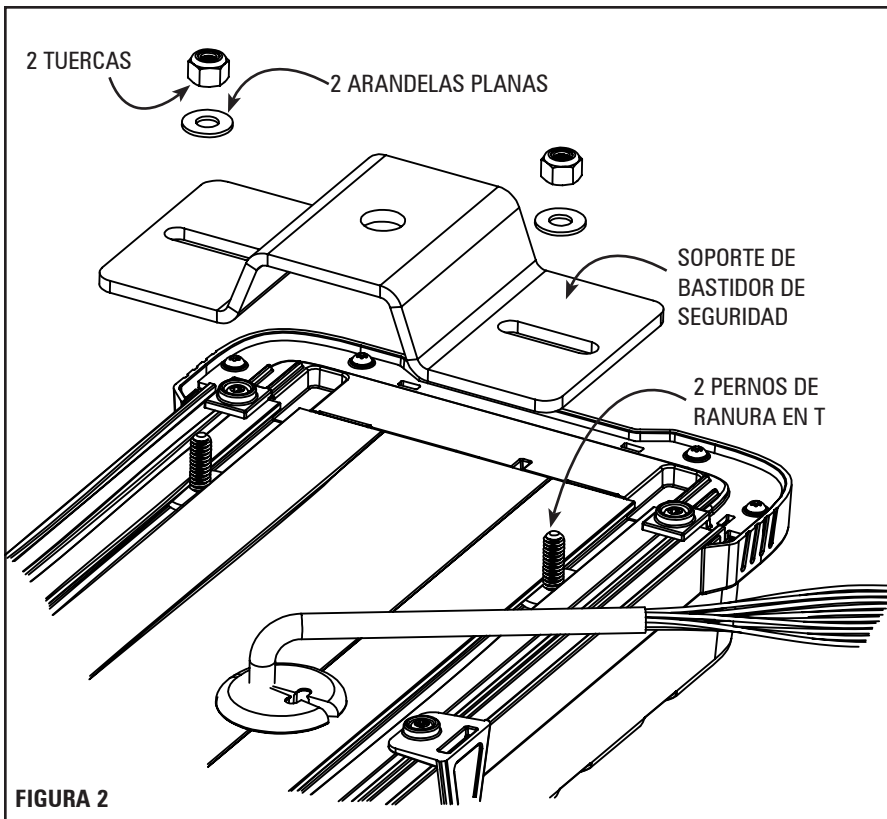


FIGURA 2

INSTRUCCIONES DE MONTAJE

MONTAJE FIJO (Figura 1)

1. Ubique el área donde desea instalar la barra de luz nROADS en el vehículo.
2. Con los soportes como patrón, deje el espacio correspondiente de acuerdo con el ancho de la barra de luz y marque los orificios de montaje.
3. Perfore los orificios de montaje.
4. Deslice el perno con ranura en T en los canales en la parte posterior de la barra de luz.
5. Instale el soporte sobre los pernos con ranura en T.
6. Instale la arandela y la tuerca en cada perno con ranura en T pero NO AJUSTE.
7. Instale la barra de luz con los soportes sobre los pernos u orificios que perforó en el PASO 3 y ajuste los pernos de montaje.
8. Ajuste las tuercas en los pernos con ranura en T.

MONTAJE EN BASTIDOR DE SEGURIDAD (Figura 2)

1. Ubique el área donde desea instalar la barra de luz nROADS en el vehículo.
2. Con los soportes como patrón, deje el espacio correspondiente de acuerdo con el ancho de la barra de luz y marque los orificios de montaje.
3. Perfore los orificios de montaje.
4. Deslice el perno con ranura en T en los canales de la parte posterior de la barra de luz.
5. Instale el soporte sobre los pernos con ranura en T.
6. Instale la arandela y la tuerca en cada perno con ranura en T pero NO AJUSTE.
7. Instale la barra de luz con los soportes sobre los pernos u orificios que perforó en el PASO 3 para montar en el vehículo. Ajuste los pernos de montaje del vehículo.
8. Ajuste las tuercas en los pernos con ranura en T.

⚠ ADVERTENCIA

Trace el cableado solamente en ubicaciones que no estén sujetas al desgaste potencial. Asegúrese de evitar el trazado de cables en el área de despliegue de la bolsa de aire. Consulte el manual del propietario de su vehículo para obtener información de la zona de despliegue de la bolsa de aire.

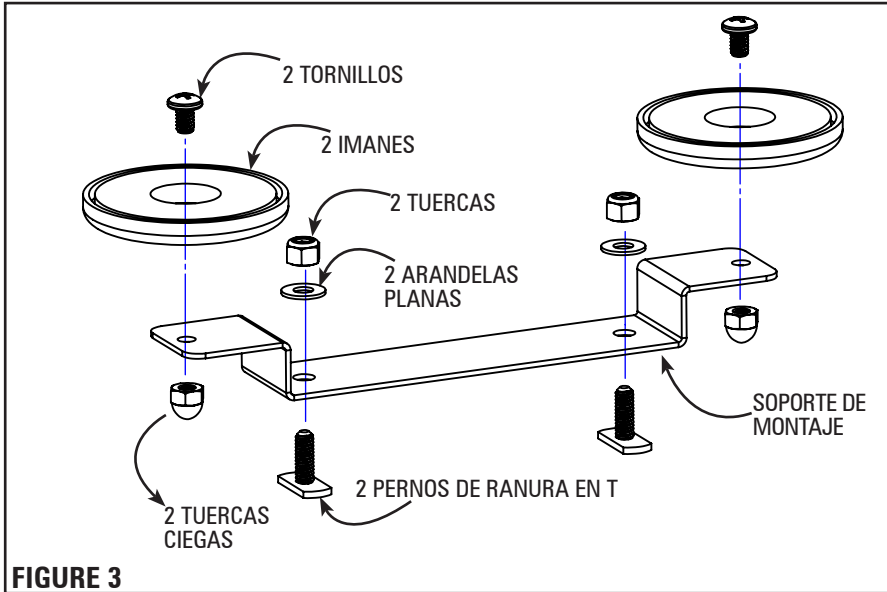


FIGURE 3

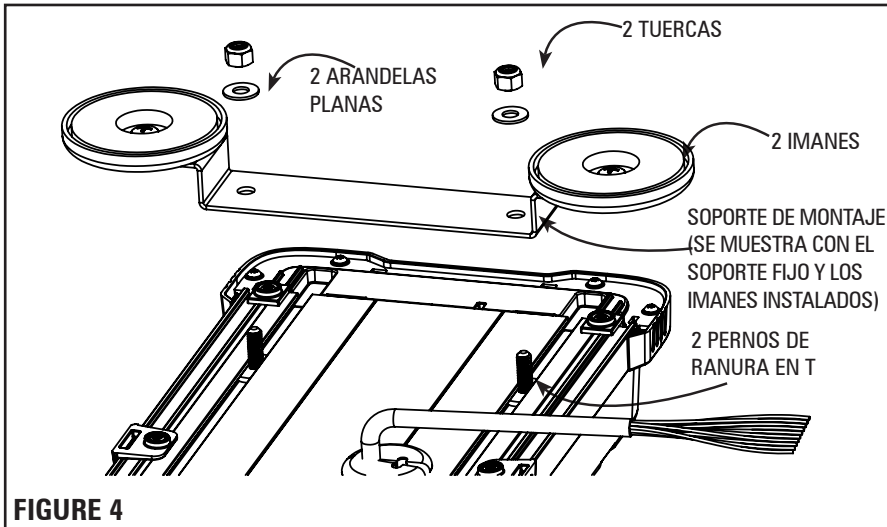


FIGURE 4

INSTRUCCIONES DE MONTAJE (Cont.)

INSTALACIÓN DEL IMÁN SOBRE EL SOPORTE

1. Coloque los imanes sobre los orificios en el soporte de montaje fijo como se muestra en la figura 3.
2. Inserte el tornillo provisto en la abertura y asegúrelo con las tuercas ciegas provistas.

MONTAJE MAGNÉTICO (Figuras 3 y 4)

1. Instale el soporte ensamblado en la barra de luz como se muestra en la Figura 3.
2. Ubique el área donde desea instalar la barra de luz nROADS en el vehículo.
3. Coloque la barra de luz en el vehículo.

FUNCIONAMIENTO DEL CARGADOR CIG PLUG (Figura 5)

1. Consulte la Figura 5 (abajo) para el interruptor de ENCENDIDO/APAGADO (ON/OFF) y el interruptor SELECTOR de patrones (Pattern SELECT).
2. Presione el interruptor de ENCENDIDO/APAGADO de la barra de luz a la posición de ENCENDIDO.
3. Para modificar el patrón de parpadeo mantenga presionado el interruptor SELECTOR DE PATRONES durante uno o dos (1-2) segundos hasta que la barra de luz parpadee con el nuevo patrón. La barra de luz avanzará un (1) patrón de parpadeo y mostrará el nuevo patrón cada vez que realice esta acción.
4. La barra de luz cuenta con memoria no volátil y recordará el último patrón utilizado.
5. El patrón seleccionado permanecerá como el predeterminado una vez que se apague y se puede modificar si se cambia el patrón de parpadeo antes de apagarlo.

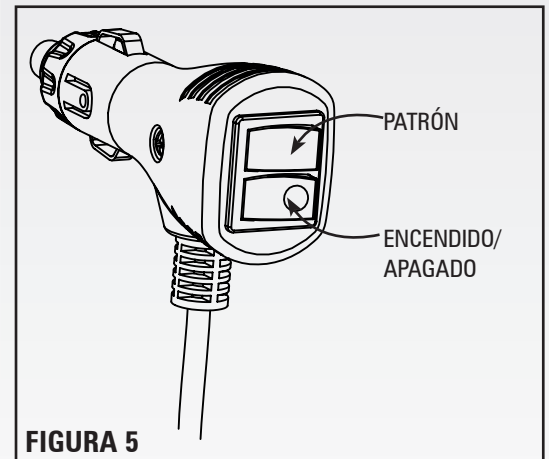


FIGURA 5

⚠ WARNING

Damages or injury may occur from improper use of a lighting product intended for vehicle use.

Auxiliary vehicle lighting products, when used on highway use vehicles, are always recommended to use secure, permanent mounting for maximum safety. In some instances, a more temporary vehicle attachment, such as optional magnet mounting (lighting product vehicle retention is based on magnets on the lighting product to the vehicle's steel/ferrous flat metal components) is offered. The effectiveness of magnet mounting is reduced by factors that include the contour, texture, curvature, snow, ice, and general cleanliness of the mounting location, and also with newer vehicle non-magnetic metal such as aluminum. Due to the potential for low effective magnetic mount retention, it is recommended to use magnets for stationary vehicle use. High driving speeds, rapid accelerations, or rapid decelerations (including accidents or rough road conditions or weather related conditions) may cause a magnet mounted light to unexpectedly detach from the vehicle.

It is the sole responsibility of the user to ensure proper mounting and safe operating conditions and end user awareness of the safe operating conditions.

INSTALACIÓN ELÉCTRICA (se aplica únicamente a las opciones de montaje permanente)

Cables de alimentación

- Trace los cableados de alimentación y a tierra suministrados por el cliente que están dimensionados adecuadamente para el consumo de corriente de la barra de luz (clasificada para un mínimo de 125 % por encima del consumo de corriente máxima) entre la fuente de energía (batería) y los cables de alimentación y a tierra de la baliza.
- Instale un fusible de un máximo de 20 amp (suministrado por el cliente) en el extremo de los cables de alimentación lo más cerca posible a la fuente de energía (batería).
 - Retire el fusible antes de conectar cualquier cable a la batería.
 - NO UTILICE DISYUNTORES O CONEXIONES DE FUSIBLES.**
- Conecte el otro extremo del fusible al terminal POSITIVO (+) de la batería.
 - NO utilice más de 61 cm (2 ft) de cable entre el terminal de la batería y el fusible y asegúrese de que el cable esté protegido y asegurado contra cortes; este es un cable sin fusibles.**
- Conecte el cable NEGRO a la masa del chasis de fábrica junto a la batería y los cables a tierra de la barra de luz.

Cables de control (azul, anaranjado, amarillo y rosa):

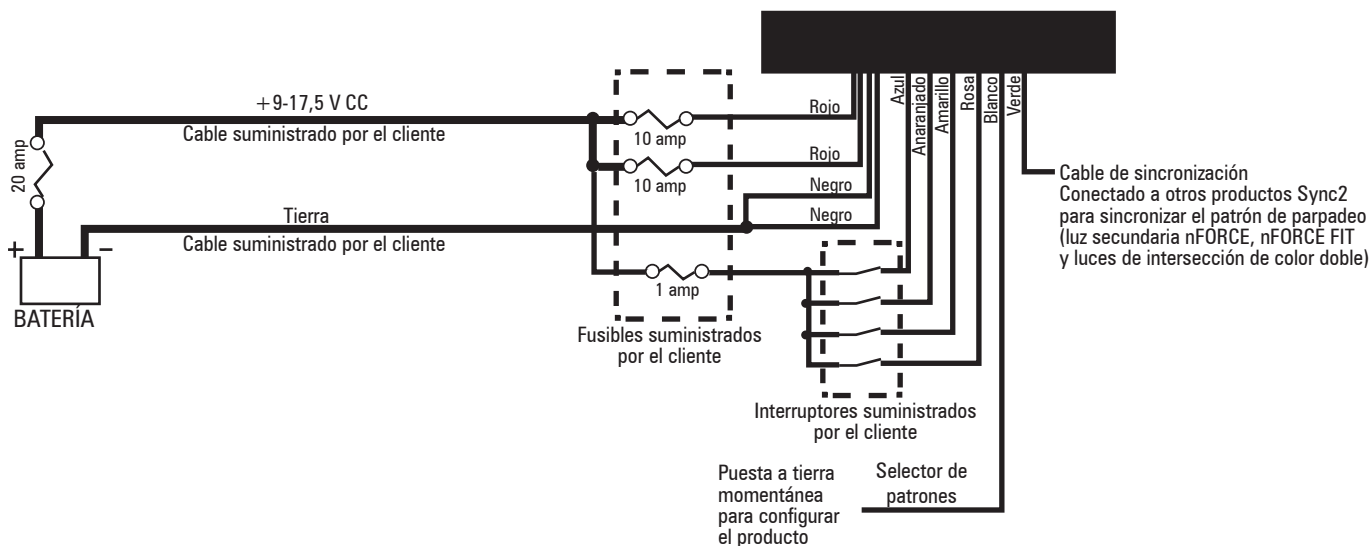
- Trace el cableado suministrado por el cliente entre el panel de interruptores y los cables azules, anaranjados, amarillos o rosas. Utilice un cable tipo TXL de 20 AWG según sea necesario para extender la longitud de los cables de manera que alcancen los interruptores suministrados por el cliente.
- El suministro de +12 V a los cables de control debe estar protegido contra sobrecorriente para brindar protección a los cables y el producto en contra de la posibilidad de un cortocircuito. Un fusible de 1 amp será suficiente dado que las entradas de los cables de control requieren menos de 10 mA por entrada para activarse.

Cable de sincronización (verde):

- Conecte el cable verde a otros productos compatibles con Sync2 (luz secundaria nFORCE, nFORCE FIT y luces de intersección de color doble) que se encuentran en el vehículo y que se deben sincronizar al patrón de parpadeo. Todo producto con cables verdes conectados deben funcionar con el mismo patrón de parpadeo, ya que de otra manera ocurrirá una sincronización incorrecta del patrón de parpadeo.
- Si los patrones de parpadeo sincronizados a otro producto no son necesarios, corte en línea recta y anule con cinta el extremo del cable verde para asegurar que el cable no se lleve a tierra accidentalmente mientras se encuentre en funcionamiento.

Cable de selección/configuración de patrón (blanco):

- La aplicación de una conexión a tierra momentánea sobre el cable blanco configurará el producto. Consulte la sección de configuración del producto en las instrucciones de instalación para el ajuste.
- Una vez que el producto esté configurado, corte en línea recta y anule con cinta el extremo del cable blanco para asegurar que el cable no se lleve a tierra accidentalmente mientras se encuentre en funcionamiento y que cambie la configuración.**



⚠ ADVERTENCIA

TODOS LOS CABLES DE ALIMENTACIÓN SUMINISTRADOS POR EL CLIENTE CONECTADOS AL TERMINAL POSITIVO (+) O NEGATIVO (-) DE LA BATERÍA O A LA MASA DEL CHASIS LOCAL (-) DEBEN TENER LA DIMENSIÓN ADECUADA PARA SUMINISTRAR AL MENOS 125% DE LA CORRIENTE MÁXIMA Y DEBEN ESTAR ADECUADAMENTE UNIDOS CON FUSIBLE A LA FUENTE DE ENERGÍA CON EL FUSIBLE DE CLASIFICACIÓN APROPIADA.

INSTALACIÓN ELÉCTRICA (CONTINUACIÓN)

Configuración del producto:

- Se puede asignar una función a cada uno de los cuatro cables de control (azul, anaranjado, amarillo y rosa) desde el tablero de patrones de parpadeo, las cuales incluyen:
 - Generar un patrón,
 - Habilitar una escena (donde las luces se encuentran en estado estable encendido),
 - Habilitar el modo crucero (las luces están tenuemente encendidas), o
 - Ajustar la barra de luz a modo energía reducida (noche).
- La funcionalidad se asigna a los cables de control mediante la aplicación de un suministro de +12 V al cable de control y la posterior puesta a tierra del cable blanco por un periodo de tiempo específico.
 - Para avanzar a la siguiente función en la lista, conecte el cable blanco a tierra durante <1 segundo.
 - Para retroceder una función en la lista, mantenga el cable blanco a tierra durante >1 segundo y <2 segundos.
 - Para ajustar la funcionalidad del cable al valor preconfigurado, mantenga el cable blanco a tierra durante >2 segundo y <3 segundos.
 - Si cambia el patrón, el número de patrón parpadeará en los módulos de la esquina izquierda y derecha con "10s" destelló en el lado izquierdo y "1s" destelló en el lado derecho.
 - Para barras de luz o dispositivos de más de un color, mantenga el cable blanco a tierra durante >3 segundos para ajustar los colores utilizados con el cable de control activo.
- Para barras de luz o dispositivos de colores múltiples, los colores utilizados para cada cable de control se ajustan mediante la puesta a tierra del cable blanco a la vez que se aplican +12 V al cable de control deseado durante >3 segundos.
 - Después de 3 segundos, cada color se encenderá durante 1 segundo. Libere el cable blanco durante este momento para ajustar la función del cable de control al color que se muestra.
 - Una vez que se hayan mostrado todos los colores, las combinaciones de color se encenderán de manera que los 2 colores se alternen (½ segundo para el color 1 y ½ segundo para el color 2) en 3 tiempos, seguido por ½ segundo de apagado. Libere el cable blanco durante este momento para ajustar la función del cable de control a los 2 colores de parpadeo.
 - Aplica +12V al de control
- El tablero de control obtiene información acerca de los módulos adjuntos mediante un procedimiento de aprendizaje que se realiza en la fábrica. Si el hardware se cambia a módulos de diferentes tipos (por ej., se cambian los colores), el proceso de aprendizaje deberá repetirse.
 - Si el dispositivo es una baliza, asegúrese de que el interruptor DIP 2 esté ENCENDIDO. Si es una barra de luz debería estar en posición APAGADO.
 - Para habilitar Sync2 asegúrese de que el interruptor DIP 3 esté ENCENDIDO. Para inhabilitar Sync2 asegúrese de que el interruptor DIP 3 esté APAGADO.
 - Si no selecciona ningún color, la luz regresará al patrón de intermitencia actual y ninguna acción sucederá
 - Mueva el interruptor DIP 1 de la posición APAGADO a ENCENDIDO y luego nuevamente a APAGADO para iniciar el proceso de aprendizaje.
 - Después de aproximadamente 2 segundos (tiempo durante el cual las luces podrían titilar brevemente), todas las luces de cada color se encenderán durante 2 segundos cada una. Observe los módulos para asegurarse de que sean del color adecuado.
 - Después de realizar el proceso de aprendizaje, será necesario configurar un color para cada cable de activación. Para hacerlo, siga las instrucciones en la página 5, sección 3. Realice esta función para todos los cables de activación que se utilizarán.

DIP SWITCH SETTINGS			
SW1	SW2	SW3	RESULTADO
ON			Uso para proceso de aprendizaje
OFF			
	ON		Modo Beacon
	OFF		Modo Barra de Luz
		ON	Sync 2 Activado
		OFF	Sync 2 Desactivado

Modos operativos:

1. Patrón de parpadeo

Los módulos de luz parpadearán con el patrón seleccionado. Si los cables de control múltiples están ajustados para generar un patrón y se activan simultáneamente, el cable con la mayor prioridad estará activo (Rosa > Amarillo > Anaranjado > Azul).

2. Escena

Los módulos para la escena permanecerán encendidos. Si solo se utilizan algunos módulos de luces para la escena entonces un patrón de parpadeo puede estar activo en otros módulos de luces.

3. Modo crucero

Los módulos seleccionados permanecerán encendidos en un valor tenue. Los patrones y las escenas tendrán prioridad sobre una función de crucero si ambos están activos.

4. Baja potencia

Si se habilita una función de baja potencia junto con un patrón o escena, el patrón o escena estarán activos a un nivel de generación de luz menor.

5. Suspensión

Si no hay entradas activas, el dispositivo entrará en un modo de suspensión de baja potencia.

IMPORTANTE

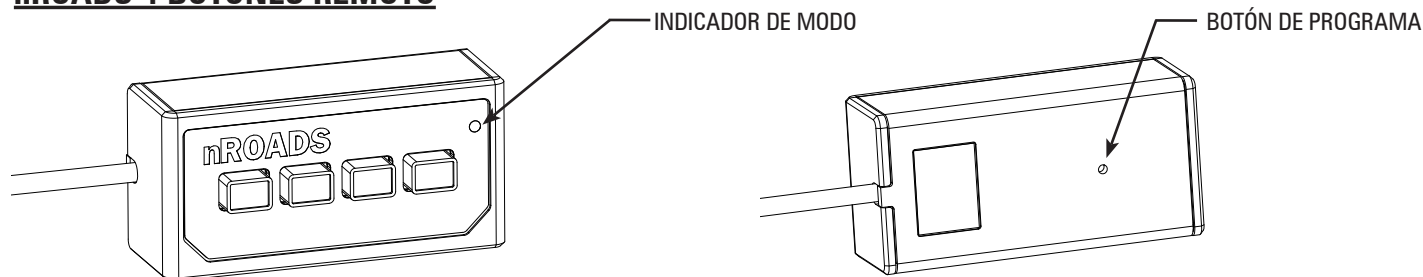
CUANDO SE PASAN CABLES POR EL CORTAFUEGOS U OTRO METAL LAMINADO, ¡INSERTE ARANDELAS PARA PROTEGER EL CABLE.

⚠ ADVERTENCIA

Trace el cableado solamente en ubicaciones que no estén sujetas al desgaste potencial. Asegúrese de evitar el trazado de cables en el área de despliegue de la bolsa de aire. Consulte el manual del propietario de su vehículo para obtener información de la zona de despliegue de la bolsa de aire.

nROADS®

nROADS 4 BOTONES REMOTO



Funciones:

El controlador remoto de 4 botones puede ser usado para controlar la barra de luz nROADS, cuando sea ordenada con el correspondiente arnés de encendedor. Cada botón en el control remoto simula uno de los 4 cables de control que se encuentran en la opción de cable.

Al presionar un botón una vez, se activará la función de cableado (la luz de fondo del botón se iluminará en verde.) Al presionar el botón por segunda vez, se desactivará la función de cableado (La luz de fondo se vuelve roja.)

Configurando el control remoto:

Para configurar el control remoto, active uno o más de los botones en el frente y luego presione el botón de programa en la parte posterior (usando un herramienta no conductora.) El indicador de modo parpadeará para indicar el modo de programación.

- Para cambiar el comportamiento de nROADS para un botón / cable:
 - Active un botón y luego presione el botón de programa
 - Mantenga presionado el mismo botón de la misma manera que la programación con cables, donde presionar el botón ahora actúa manteniendo el cable blanco de programación.
 - Presione el botón de programa para salir a la operación normal.
- Para habilitar o deshabilitar el zumbador cuando se presionan los botones:
 - Active los botones 1 y 2 y luego presione el botón de programa.
 - Presione el botón 1 para alternar el zumbador (verde = habilitado, rojo = desactivado.)
 - Presione el botón de programa para salir a la operación normal.
- Para configurar el nivel de luz de fondo:
 - Active los botones 1 y 3 y luego presione el botón de programación.
 - Presione el botón 1 para aumentar el brillo o el botón 2 para disminuir el brillo.
 - Presione el botón 4 para alternar si el control remoto permanecerá encendido si no hay nada activo.
 - Botón 4 verde = el control remoto permanecerá encendido mientras se aplique energía.
 - Botón 4 apagado = el control remoto se apagará 10 segundos después de que todas las salidas estén apagadas.
 - Presione el botón de programación para salir a la operación normal.

- Para establecer el nivel del LED verde:
 - Active los botones 1 y 4 y luego presione el botón de programa.
 - Presione el botón 1 para aumentar el brillo o el botón 2 para disminuir brillo.
 - Presione el botón de programa para salir a la operación normal.
- Para mostrar el nivel de versión de firmware:
 - Activar los botones 2 y 3 para control remoto o 2 y 4 para barra de luces nROADS versión, luego presione el botón de programa.
 - La versión del firmware parpadeará en los botones:
 - Botón 1 = versión mayor
 - Botón 2 = versión menor
 - Botón 3 = versión de compilación
- Llevar el módulo nROADS a través del modo de aprendizaje (solo es necesario si los módulos son cambiados.)
 - Active los 4 botones y luego presione el botón de programa

Indicaciones del botón de modo:

El botón de modo parpadeará en rojo si ocurre un error. El modo de error se indica por el número de parpadeos.

MODO DE PROGRAMACION

SW1	SW2	SW3	SW4	MODO	MODO LED
X				CLABE DE PROGRAMACIÓN 1	INTERMITENCIA CONTINUA
	X			CLABE DE PROGRAMACIÓN 2	INTERMITENCIA CONTINUA
		X		CLABE DE PROGRAMACIÓN 3	INTERMITENCIA CONTINUA
			X	CLABE DE PROGRAMACIÓN 4	INTERMITENCIA CONTINUA
X	X			ACTIVAR/DESACTIVAR ZUMBADOR	PARPADEO 1
X		X		PROGRAMACION DE NIVEL DE LUZ INTERIOR	PARPADEO 2
X			X	PROGRAMACION NIVEL LED	PARPADEO 3
	X	X		DESPLIEGUE FW VERSION REMOTA	APAGADO
	X		X	DESPLIEGUE FW VERSION nROADS	APAGADO
X	X	X	X	MODO APRENDIZAJE	APAGADO

Indicaciones del botón de modo

# de parpadeos	Modo Error
1	El cable presenta un cortocircuitado a tierra o a la potencia
2	nROADS no detectado
3	El firmware nROADS conectaro es antiguo y no es compatible
4	El aparato conectado responde con un código erróneo

PATRONES DE PARPADEO

*fpm= Parpadeos por minuto
**fps= Parpadeos por segundo

N.º	Nombre	Cumple con SAE	Secuencia	fpm	fps	Compatible de nROADS a nROADS	Compatible con Sync2
0	RandomAction 1	Sí	Variable	-	-	Sí	n/a
1	RandomAction 2		Variable	-	-	Sí	n/a
2	RandomAction 3 (cable azul/ cargador Cig Plug preconfigurado)		Variable	-	-	Dependiente del recuento de módulos LED	n/a
3	RandomAction 4 (cable anaranjado preconfigurado)		Variable	-	-	Dependiente del recuento de módulos LED	n/a
4	Rotate 250	Sí	Rotativa	-	-	Dependiente del recuento de módulos LED	n/a
5	Rotate 125	Sí	Rotativa	-	-	Dependiente del recuento de módulos LED	n/a
6	Race 200 (rotar con perseguidor)	Sí	Rotativa	-	-	Dependiente del recuento de módulos LED	n/a
7	Race 125	Sí	Rotativa	-	-	Dependiente del recuento de módulos LED	n/a
8	Race 100	Sí	Rotativa	-	-	Dependiente del recuento de módulos LED	n/a
9	Race 200 c/TriplePop		Variable	-	-	Dependiente del recuento de módulos LED	n/a
10	Cross-Fire		2 movimientos circulares individuales	-	-	Dependiente del recuento de módulos LED	n/a
11	Super Scan		Pulse/Alt de tipo doble	-	-	Dependiente del recuento de módulos LED	n/a
12	Power Flash		Alt/Pulse de tipo doble	-	-	Sí	n/a
13	Thunder and Lightning		Aleatoria	-	-	Sí	n/a
14	8TriplePop	Sí	Sim	-	3,7; 1,5	Sí	n/a
15	Quint	Sí	Alt L/R	67	1,1	Sí	Sí
16	Quint	Sí	Sim	67	1,1	Sí	Sí
17	Quint	Sí	Alt²/Sim	67	1,1	Sí	Sí
18	Quad2	Sí	Alt L/R	67	1,1	Sí	Sí
19	Quad2	Sí	Sim	67	1,1	Sí	Sí
20	Quad2	Sí	Alt²/Sim	67	1,1	Sí	Sí
21	Q-Switch™		Variable		-	Sí	Sí
22	Double	Sí	Alt L/R	115	1,9	Sí	n/a
23	Double	Sí	Sim	115	1,9	Sí	n/a
24	Double	Sí	Alt²/Sim	115	1,9	Sí	n/a
25	Power Pulse	Sí	Alt L/R	188	3,1	Sí	Sí
26	Power Pulse	Sí	Sim	188	3,1	Sí	Sí
27	Power Pulse	Sí	Alt²/Sim	188	3,1	Sí	Sí
28	Road Runner	Sí	Alt L/R	115	1,9	Sí	Sí
29	Road Runner	Sí	Sim	115	1,9	Sí	Sí
30	Road Runner	Sí	Alt²/Sim	115	1,9	Sí	Sí
31	Slow Runner	Sí	Alt L/R	70	1,2	Sí	n/a
32	Slow Runner	Sí	Sim	70	1,2	Sí	n/a
33	Slow Runner	Sí	Alt/Sim	70	1,2	Sí	n/a

#	Nombre	Cumple con SAE	Secuencia	fpm	fps	Compatible de nROADS a nROADS	Compatible con Sync2
34	Warp		Alt L/R	333	5.6	Sí	Sí
35	Warp		Sim	333	5.6	Sí	Sí
36	Warp		Alt²/Sim	333	5.6	Sí	Sí
37	Intercycle		Alt L/R	67 & 333	1.1 & 5.6	Sí	Sí
38	Intercycle		Sim	67 & 333	1.1 & 5.6	Sí	Sí
39	Intercycle		Alt²/Sim	67 & 333	1.1 & 5.6	Sí	Sí
40	Warp 1, 2, 3		Alt L/R	115-333	1.9 - 5.6	Sí	n/a
41	Warp 1, 2, 3		Sim	115-333	1.9 - 5.6	Sí	n/a
42	Warp 1, 2, 3		Alt²/Sim	115-333	1.9 - 5.6	Sí	n/a
43	Recurrent		Sim	70	1.16	Sí	n/a
44	Quad Pulse-Pop		Sim	75	1.25	Sí	Sí
45-69	RESERVADO PARA EL FUTURO						
70	All Cruise 3%		Control en modo cruceo (superposición de patrones posible)			n/a	n/a
71	All Cruise 7% (cable amarillo preconfigurado)		Control en modo cruceo (superposición de patrones posible)			n/a	n/a
72	Left Scene		Control de la escena			n/a	n/a
73	Right Scene		Control de la escena			n/a	n/a
74	Front Scene		Control de la escena			n/a	n/a
75	Rear Scene		Control de la escena			n/a	n/a
76	All Scene		Control de la escena			n/a	n/a
77	Low Power 30%		Control del modo potencia baja (1 guiño)			n/a	n/a
78	Low Power 50% (Pink wire default)		Control del modo potencia baja (2 guiños)			n/a	n/a
79*	Bottom Scene		Control de la escena			n/a	n/a
80*	Top Scene		Control de la escena			n/a	n/a

Tabla de compatibilidad con Sync2 (nFORCE secundaria, nFORCE FIT, Intersector de color doble)

N.º DE PATRÓN	COLOR ÚNICO	COLOR DOBLE	TRIPLE COLOR	Compatible con nROADS
1		QUINT		Sí
2		WARP		Sí
3		INTER-CYCLE		Sí
4		DOUBLE		-
5		QUAD		-
6		POWER PULSE		Sí
7		ROAD RUNNER		Sí
8		Q-SWITCH		Sí
9		STEADY-BURN / ROADRUNNER		Sí
10		STEADY-BURN DRIVER TITLE 13 QUAD		-
11		QUAD 2		-
12		DOUBLE 2		-
13		RANDOM 1		-
14		RANDOM 2		-
15		QUAD PULSE - POP		Sí

NOTA:
Para patrones de parpadeo simultáneos o alternativos, ajustar el tipo de secuencia en el producto secundario.

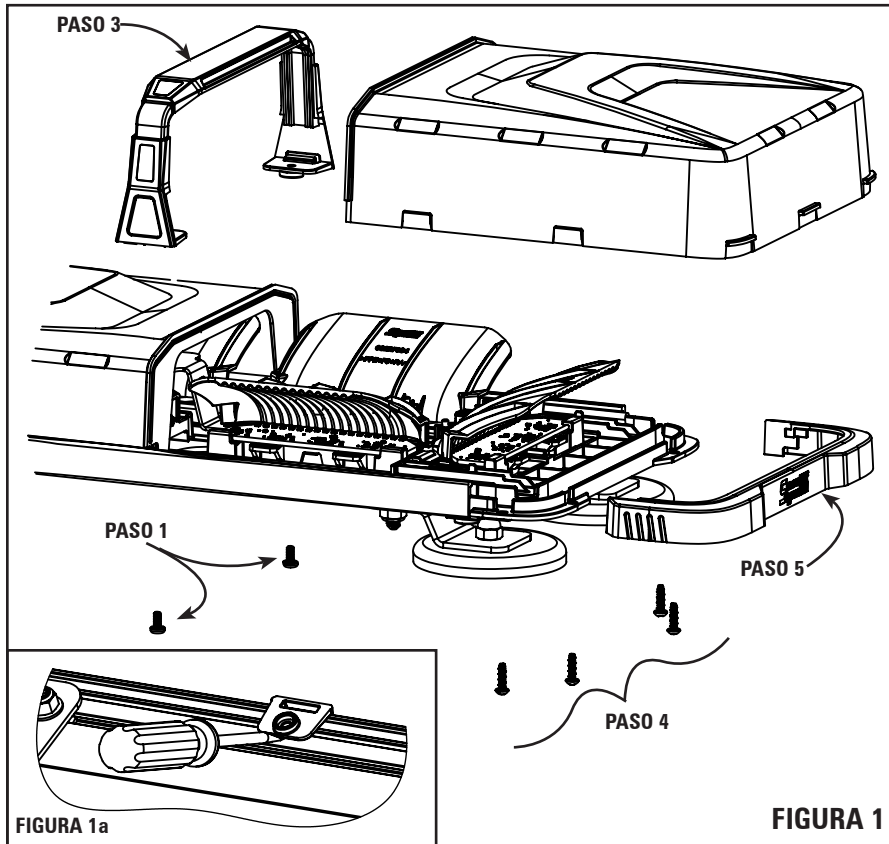


FIGURA 1

FIGURA 2

REEMPLAZO DEL MÓDULO DE LUCES

REMOCIÓN DEL LENTE (Figura 1)

1. Remueva dos tornillos (o cuatro en la barra de luz mediana) en la tira de cobertura.
2. Levante ligeramente la tira con un destornillador para desenganchar un extremo. (Figura 1a)
3. Remueva completamente la tira de la barra de luz.
4. Remueva cuatro tornillos en la tapa de extremo negra.
5. Rote la tapa de extremo lejos de la base y separe del lente.
6. Presione las paredes laterales del lente y levante ligeramente para liberar el lente de la base.

REMOCIÓN DEL MÓDULO DE LUCES (Figura 2)

1. Después de remover el ensamble del lente, inserte un destornillador de cabeza plana entre el módulo de luces negro y la base de aluminio para liberar el anillo de seguridad como se muestra en la figura 2.
2. Remover la tensión del módulo, levantar y rotar ligeramente hacia la parte exterior de la barra de luz y el módulo se podrá retirar.
3. Remover el arnés de cables del módulo.

REEMPLAZO DEL MÓDULO DE LUCES (CONT.)

REMOCIÓN DEL MÓDULO DE LUCES, FIGURA 3

1. El módulo de luces tiene cuatro características de montaje, dos bridas y dos anillos de seguridad. Inserte las dos bridas bajo el reborde interior de la base, en un leve ángulo.

2. Una vez que las bridas estén aseguradas en la base, empujar el módulo hacia abajo en la "parte posterior" cerca de la toma del arnés de cables, esto involucrará a las bridas.

3. Asegúrese de que las bridas estén asentadas y que el módulo no se balancee ni se mueva libremente.

4. Enchufe el arnés de cables.

5. Reemplace las coberturas del lente.

REEMPLAZO DEL LENTE, FIGURA 4

1. Verifique el sello para detectar espacios y asegúrese de que esté asentado de manera adecuada en la base.

2. Posicione el lente por encima de la base tratando de alinearlos a la base y los lentes adyacentes como se muestra en la figura 4.

3. Empuje el lente hacia abajo para involucrar las cuatro bridas temporales a la base de aluminio.

4. Alinee la tira del lente con el lente como se muestra en la figura 4a.

5. Enganche la tira del lente a la base cerrando el pie en la base de aluminio.

6. Reemplace los dos tornillos (o 4 si se trata de una barra de luz mediana) en la tira del lente que se removió en el Paso 1, REMOCIÓN DEL LENTE (Phillips n.º 2).

7. Reemplace la tapa de extremo, asegúrela con los cuatro tornillos que se removieron en el Paso 4, REMOCIÓN DEL LENTE (tornillos T15).

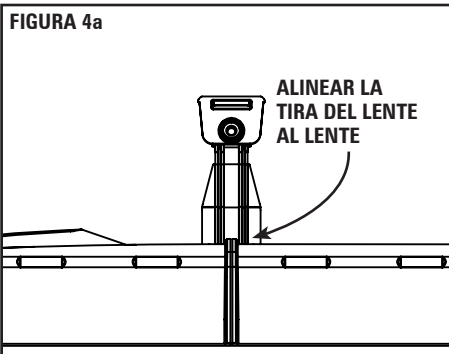
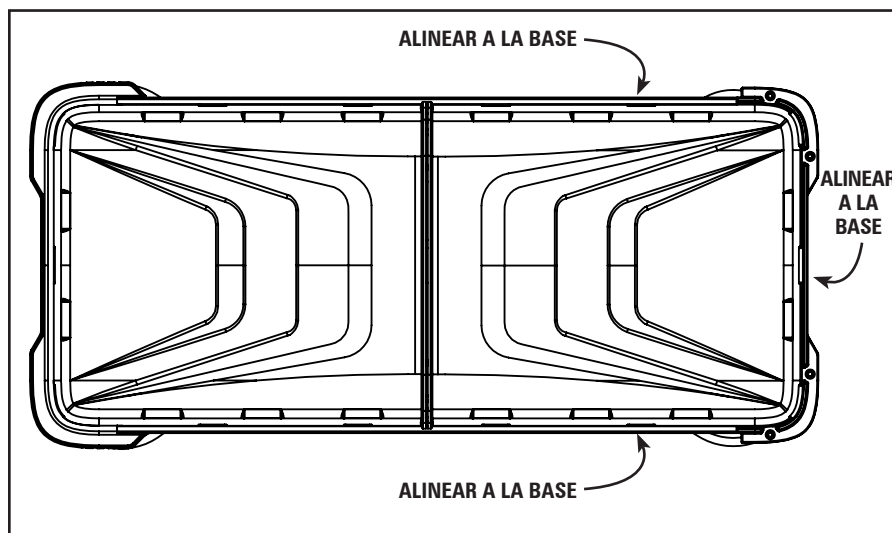
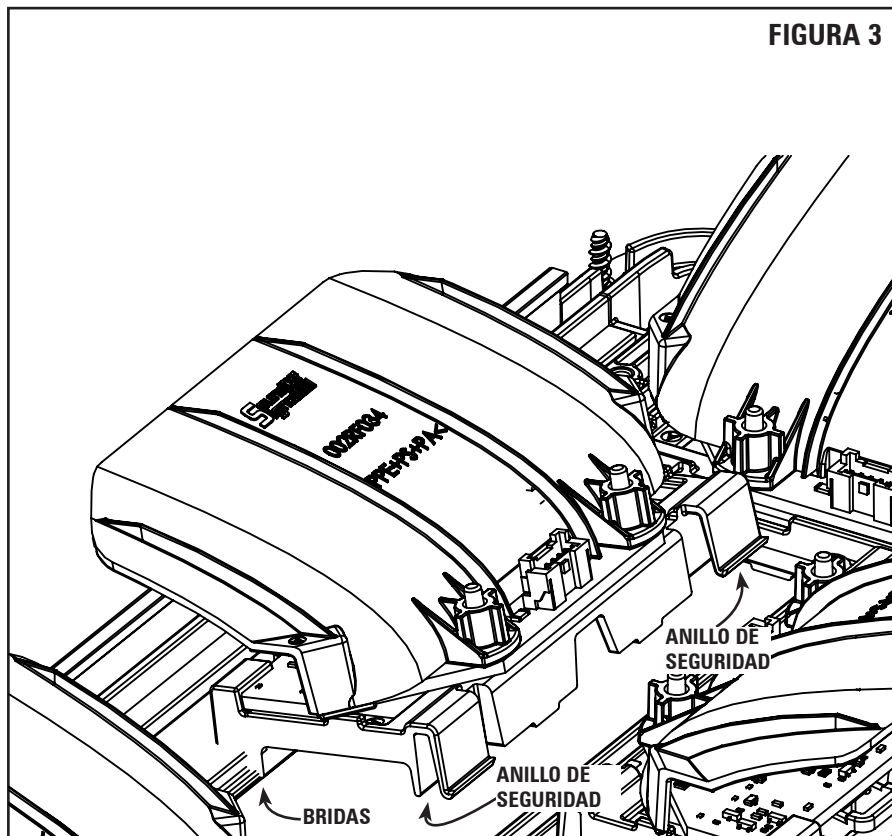
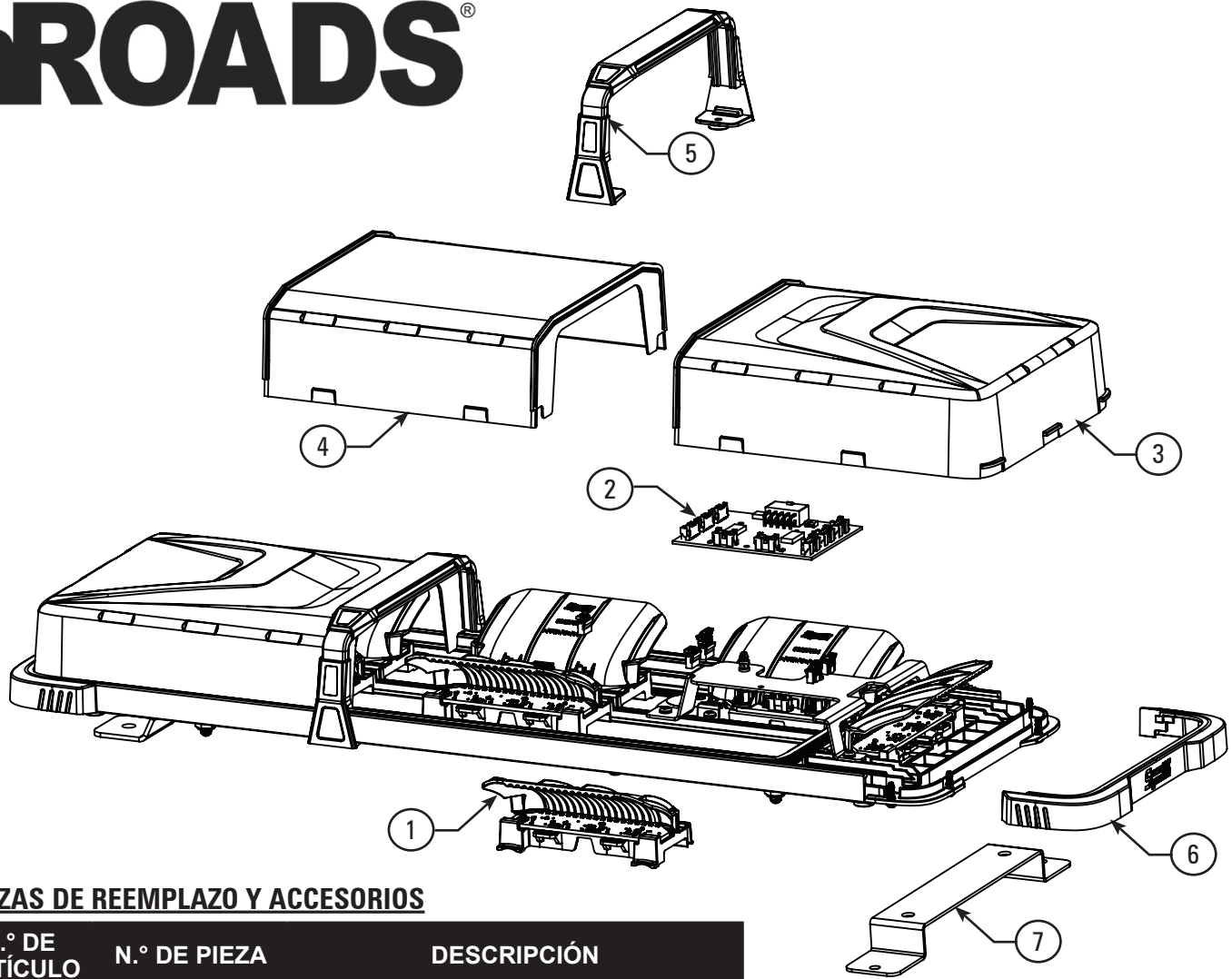


FIGURA 4



PIEZAS DE REEMPLAZO Y ACCESORIOS

N.º DE ARTÍCULO	N.º DE PIEZA	DESCRIPCIÓN
1	PNRLBLSS203(x)	MÓD. DE REEMPLAZO - 3 LED COLOR ÚNICO
1	PNRLBLSS206(x)	MÓD. DE REEMPLAZO - 6 LED COLOR ÚNICO
1	PNRLBLSS209(x)	MÓD. DE REEMPLAZO - 9 LED COLOR ÚNICO
1	PNRLBLSS212(x)	MÓD. DE REEMPLAZO - 12 LED COLOR ÚNICO
1	PNRLBLSD206(x)	MÓD. DE REEMPLAZO - 6 LED COLOR DOBLE
1	PNRLBLSD212(x)	MÓD. DE REEMPLAZO - 12 LED COLOR DOBLE
1	PNRLBLST218(xxx)	MÓD. DE REEMPLAZO - 18 LED TRES COLORES
2	PNRBCDRV1	ACCIONADOR SIN CONECTOR
3	PNRLBDMECA	CÚPULA DE TAPA DE EXTREMO ÁMBAR
3	PNRLBDMECC	CÚPULA DE TAPA DE EXTREMO TRANSPARENTE
4	PNRLBDMMSA	CÚPULA CORTA MEDIA ÁMBAR
4	PNRLBDMMSC	CÚPULA CORTA MEDIA TRANSPARENTE
5	PNRLBDMSTB	TIRA DE LA CÚPULA NEGRA
6	PNRLBEXECB	TAPA DE EXTREMO DE EXTRUSIÓN NEGRA
	PNRLBHNMD1	ARNÉS DEL MÓDULO CORTO
	PNRLBHNMD2	ARNÉS DEL MÓDULO MEDIO
	PNRLBHNMD3	ARNÉS DEL MÓDULO LARGO
7	PNRLBK00	PIE DE ALTURA FIJA EST. (CADA UNO)
	PNRLBK01	KIT ADICIONADOR DE IMANES (POR PIE)
	PNRLBK02	PIE DE SEGURIDAD (CADA UNO)
	PNRLBHNP1	ARNÉS PARA ENCHUFE DE CIGARROS
	PNRLBHNP2	ARNÉS DE ALIMENTACION DE CONEXIÓN DIRECTA

	PNRLBK02	PIE DE SEGURIDAD (CADA UNO)
	PNRLBHNP1	ARNÉS PARA ENCHUFE DE CIGARROS
	PNRLBHNP2	ARNÉS DE ALIMENTACION DE CONEXIÓN DIRECTA
	PNRLBHNP3	ARNÉS REMOTO DE 4 BOTONES ARNÉS DE ENERGÍA
	PCPNR4HN1	ARNÉS DE PUENTE REMOTO DE 4 BOTONES
	ETCPNR401	4 BOTONES REMOTO

SOLUCIÓN DE PROBLEMAS DE nROADS

Funcionamiento normal

Durante el funcionamiento normal, la baliza parpadeará cuando una combinación de las cuatro entradas de control estén conectadas a +V CC. La baliza está en posición APAGADO y en modo de espera de baja potencia después de 10 segundos sin entradas de control activo

Sin funcionamiento

Sin potencia;

Verifique que las unidades de alimentación principales rojas tengan una conexión sólida con la +V CC presente en el cable posterior al fusible. Se requiere un mínimo de +9 V CC. Reemplace el fusible de ser necesario.

Verifique que las unidades de alimentación principales rojas no hayan excedido el umbral de corte de tensión de +17,5 V CC. Disminuya la tensión para recuperar el funcionamiento.

Verifique que las unidades de alimentación a tierra principales negras tengan una conexión a tierra de resistencia sólida y baja.

No hay luces;

Verifique que al menos una de las cuatro entradas de control estén presentes con +V CC.

Verifique que el patrón sea capaz de avanzar y que el cable de control no esté configurado en modo de potencia baja, patrón 50-51. (Cable azul preconfigurado)

Configure el producto (pág. 6). Si todavía no funciona, restablezca la configuración de fábrica mediante la remoción de la cobertura superior y el acceso a la placa de accionamiento (pág. 9). Verifique que el interruptor DIP esté configurado en SW1 APAGADO, SW2 ENCENDIDO. El SW3 está ENCENDIDO.

Parpadeo de luz de advertencia incorrecto o nulo

Sin funcionamiento;

Verifique que el cable de entrada de control correcto esté presente con +V CC.

Verifique que el patrón sea capaz de avanzar y que el cable de control no esté configurado en modo de potencia baja, patrón 50-51. (Cable azul preconfigurado)

Configure el producto (pág. 6). Si todavía no funciona, restablezca la configuración de fábrica mediante la remoción de la cobertura superior y el acceso a la placa de accionamiento (pág. 9) Verifique que el interruptor DIP esté configurado en SW1 APAGADO, SW2 ENCENDIDO, el SW3 está ENCENDIDO.

Funcionamiento incorrecto/no deseado;

Verifique que no haya otra entrada de control activa que tenga prioridad de parpadeo sobre la entrada de control actual. (pág. 6).

La potencia baja y la luz de escena anulan el modo de parpadeo sin importar la prioridad del cable. Remueva la entrada de control de potencia baja o luz de escena.

Luces de escena nulas o incorrectas

Sin luces;

Verifique que el cable de entrada de control correcto esté presente con +V CC.

Verifique que el patrón sea capaz de avanzar y que el cable de control esté configurado en el patrón 45-49.

Configure el cable (pág. 6). Si todavía no funciona, restablezca la configuración de fábrica mediante la remoción de la cobertura superior y el acceso a la placa de accionamiento (pág. 9) Verifique que el interruptor DIP esté configurado en SW1 APAGADO, SW2 ENCENDIDO, el SW3 está ENCENDIDO.

Funcionamiento incorrecto/no deseado;

Verifique que no haya otra entrada de control con escena activa que tenga prioridad sobre la entrada de control actual. (pág. 6). La potencia baja anula la prioridad del cable de luz de escena. Remueva la entrada de control de potencia baja.

Sincronización nula o incorrecta

Sincronización nula o incorrecta;

Verifique que los cables verdes estén conectados entre todos los productos Sync2 requeridos.

Verifique que los patrones de parpadeo estén ajustados al mismo patrón. Los patrones 12-42 son capaces de sincronización con todos los productos Sync2.

Según el recuento de módulos LED, los patrones aleatorios y rotativos (0-11) podrían no sincronizarse correctamente entre productos (p. ej. la barra de luz mini y la baliza Dual Stack). La escena, el modo crucero o la potencia baja no son capaces de sincronización.

Si los patrones aún no logran sincronizarse, remover la cubierta superior y verificar la configuración del interruptor DIP en la placa de accionamiento. El SW3 debe estar ENCENDIDO para una funcionalidad de sincronización correcta.

Parpadeo errático

Verifique que los patrones de parpadeo estén ajustados al mismo patrón.

Verifique que el cable verde o blanco no estén en cortocircuito intermitente a tierra. Selle de manera segura todas las conexiones.

GARANTÍA Y PROCEDIMIENTO DE PRODUCTOS DEVUELTOS

LIMPIEZA Y CUIDADO DE LA BARRA DE LUZ:

Mantener los lentes limpios y sin raspones optimizará el rendimiento de la barra de luz. El exterior de la barra de luz incluidos los lentes se debe limpiar con agua levemente jabonosa y un paño de algodón seco para remover la tierra, suciedad e insectos. Nunca utilice limpiacristales o químicos fuertes sobre los lentes ya que podría causar la falla de estos o reducir la claridad, lo cual resultará en la reducción de la generación de luz.

INTEGRIDAD DEL MONTAJE:

Al comenzar y finalizar cada turno se debe realizar una revisión de la integridad de los pernos/hardware/soporte de montaje.

MENSAJES DE GARANTÍA - LEER:

ADVERTENCIA - ¡NO SE RECOMIENDA LA PERFORACIÓN DE ORIFICIOS EN LA BARRA DE LUZ! EL RIESGO DE DAÑO A LOS COMPONENTES INTERNOS Y LA FALLA RESULTANTE DE LA BARRA DE LUZ RESULTARÁ EN LA NULIDAD DE LA GARANTÍA DE ESTE PRODUCTO.

ADVERTENCIA - SE DEBEN TOMAR PRECAUCIONES CUANDO SE PERFORE A TRAVÉS DEL TECHO DEL VEHÍCULO PARA NO PERFORAR NINGÚN CABLEADO EXISTENTE NI PERFORAR A TRAVÉS DEL TECHO INTERIOR O LOS MIEMBROS DE SOPORTE DEL VEHÍCULO. VERIFIQUE AMBOS COSTADOS DEL SERVICIO DE MONTAJE ANTES DE PERFORAR. ELIMINE LAS REBABAS DE CUALQUIER ORIFICIO Y REMUEVA CUALQUIER FRAGMENTO O RESTO DE METAL INSTALE ARANDELAS EN TODO ORIFICIO DE PASAJE DE CABLES.

ADVERTENCIA - TRACE EL CABLEADO SOLAMENTE EN UBICACIONES QUE NO ESTÉN SUJETAS AL DESGASTE POTENCIAL. ASEGÚRESE DE EVITAR EL TRAZADO DE CABLES EN EL ÁREA DE DESPLIEGUE DE LA BOLSA DE AIRE. CONSULTE EL MANUAL DEL PROPIETARIO DE SU VEHÍCULO PARA OBTENER INFORMACIÓN DE LAS ZONAS DE DESPLIEGUE DE LA BOLSA DE AIRE.

ADVERTENCIA - TODOS LOS CABLES DE ALIMENTACIÓN SUMINISTRADOS POR EL CLIENTE CONECTADOS AL TERMINAL POSITIVO (+) O NEGATIVO (-) DE LA BATERÍA O A LA MASA DEL CHASIS LOCAL (-) DEBEN TENER LA DIMENSIÓN ADECUADA PARA SUMINISTRAR AL MENOS 125 % DE LA CORRIENTE MÁXIMA Y DEBEN ESTAR CORRECTAMENTE UNIDOS CON FUSIBLE A LA FUENTE DE ENERGÍA CON EL FUSIBLE DE CLASIFICACIÓN APROPIADA.

IMPORTANTE: Cuando se pasan cables por el cortafuegos u otro metal laminado, inserte arandelas para proteger el cable!

PROCESO DE DEVOLUCIÓN EN GARANTÍA:

Comuníquese con su Representante de ventas de SoundOff Signal, personal de Servicios al cliente o con nuestro Departamento técnico (800.338.7337, opción n.º 4) para obtener un N.º de RMA, Número de Autorización de Devolución de Mercadería (Return Merchandise Authorization, RMA).

La siguiente información es necesaria para la emisión del n.º de RMA:

- Motivo de devolución del producto*
- Dirección a la que se debe enviar el producto de reemplazo*
- Número de teléfono donde podamos contactarlo*
- Número de factura de SoundOff Signal en la que figura la compra del producto**
- Número de pieza y de serie de SoundOff Signal**
- Dirección de correo electrónico a la que se puede enviar el n.º de RMA**
- Número de fax al que se puede enviar el n.º de RMA**

*El n.º de RMA no se otorgará sin esta información.

**Si dispone de esta información, tenga a bien proveerla.

SoundOff Signal no aceptará devoluciones sin un n.º de RMA. Cada n.º de RMA tiene validez para una (1) devolución y vencerá (30) días después de la fecha de emisión. Los productos deben enviarse nuevamente a SoundOff Signal y el n.º de RMA debe estar marcado de manera clara en la parte exterior del empaque cerca de la etiqueta de envío. Coloque la siguiente dirección en la etiqueta de envío:

SoundOff Signal
Atención: RMA # / Technical Services
3900 Central Parkway
Hudsonville, MI 49426

EXCLUSIONES DE LA GARANTÍA:

Los cargos por envío y manejo, mano de obra y servicios no son reembolsables. SoundOff Signal no se responsabiliza por cualquier daño por instalación o lesión personal como resultado del uso del producto de SoundOff Signal.

PÉRDIDA DE LA GARANTÍA:

La garantía no será efectiva si no se cumplen estrictamente las normas de la Política y procedimiento de devolución en garantía. El daño físico que resulte del abuso por parte del cliente anulará la garantía. La garantía también será nula si se remueven, alteran o falsifican etiquetas de serie, adhesivos del producto, sellos y demás de SoundOff Signal o el fabricante. El producto devuelto que resulte dañado en el envío a través del procedimiento del n.º de RMA no será responsabilidad de SoundOff Signal.

La fecha efectiva del documento en la cubierta y a continuación sustituye a cualquier política y declaración previamente fechadas.

No existen otras garantías, expresas o implícitas que incluyen cualquier comerciabilidad implícita o aptitud para un uso en particular. SoundOff Signal se reserva el derecho de modificar esta declaración de garantía en cualquier momento, o de discontinuar, modificar o actualizar cualquier producto de su fabricación con mejoras en el diseño sin previo aviso.