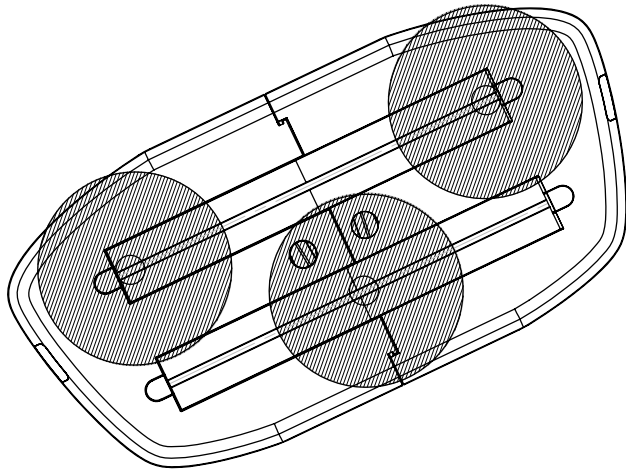
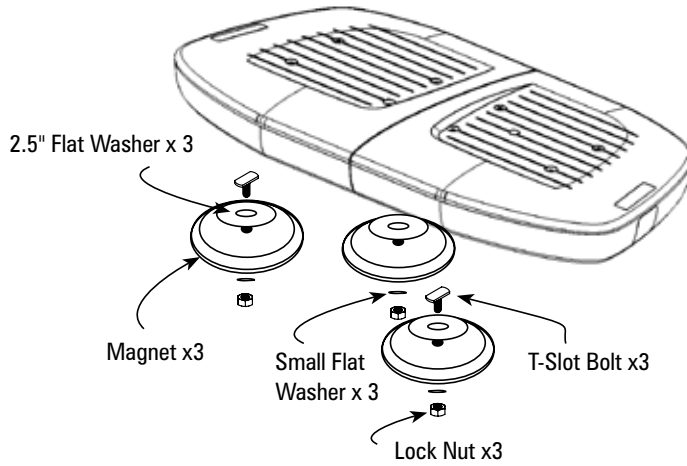


# nFORCE<sup>®</sup>

NEXUS TECHNOLOGY

## nFORCE<sup>®</sup> LED Lightbar - Magnet Mount



**SoundOff  
Signal**

1.800.338.7337 / [www.soundoffsignal.com](http://www.soundoffsignal.com)

### INSTALLATION:

- 1) Assemble the Magnet Kit as detailed Left.
- 2) Slide T-Slot Bolts into the slots on the bottom of the nFORCE Lightbar and tighten.
- 3) A Protective Boot has been provided with the nFORCE 24" Lightbar kit. The magnets can be inserted into the boots to protect the paint on the vehicle.
- 4) Determine a clean, flat location (typically the roof) on the vehicle to mount the nFORCE 24" Lightbar. The nFORCE 24" Lightbar comes equipped with three magnetic feet. Note: The magnetic character of roof steel varies from vehicle to vehicle. Be sure that your vehicle is capable of providing enough magnetic force to safely secure the nFORCE 24" Lightbar to the roof. Note: Use of Boots can reduce the magnetic force by as much as 10%.

### **WARNING**

This product contains high intensity LED devices. To prevent eye damage, DO NOT stare into the light beam at close range.

### **WARNING**

Damages or injury may occur from improper use of a lighting product intended for vehicle use.

Auxiliary vehicle lighting products, when used on highway use vehicles, are always recommended to use secure, permanent mounting for maximum safety. In some instances, a more temporary vehicle attachment, such as optional magnet mounting (lighting product vehicle retention is based on magnets on the lighting product to the vehicle's steel/ferrous flat metal components) is offered. The effectiveness of magnet mounting is reduced by factors that include the contour, texture, curvature, snow, ice, and general cleanliness of the mounting location, and also with newer vehicle non-magnetic metal such as aluminum. Due to the potential for low effective magnetic mount retention, it is recommended to use magnets for stationary vehicle use. High driving speeds, rapid accelerations, or rapid decelerations (including accidents or rough road conditions or weather related conditions) may cause a magnet mounted light to unexpectedly detach from the vehicle.

It is the sole responsibility of the user to ensure proper mounting and safe operating conditions and end user awareness of the safe operating conditions.

### **WARNING**

- HIGH CURRENT interconnects must be properly terminated. Poor crimp quality can cause heat build-up and fire. Follow crimp connector manufacturer instructions.
- DO NOT install this product or route any wires in the Air Bag Deployment Zone. Refer to vehicle Owner's Manual for deployment zones.
- Do NOT use system to disconnect headlights, brake lights or other safety equipment.
- Unit may become hot to touch during normal operation.
- Failure to properly install connectors, fuses or wiring may cause vehicle failure or fire.
- Installation must only be performed by trained technician. Installer must determine vehicle wiring configuration and proper integration of system.
- Use proper wire gauge. All power wires connecting to positive (+) or negative (-) battery terminal or local chassis ground (-) must be sized to supply at least 125% of max. current and properly fused at power source.
- Install protective grommets when routing wire through firewall or metal.

#### NOTICE:

Installers and users must comply with all applicable federal, state and local laws regarding use and installation of warning devices.

*Improper use or installation may void warranty coverage.*

To review our Limited Warranty Statement & Return Policy for this or any SoundOff Signal product, visit our website at [www.soundoffsignal.com/tech-services/returns/](http://www.soundoffsignal.com/tech-services/returns/).

If you have questions regarding this product, contact **Technical Services**, Monday - Friday, 8 a.m. to 5 p.m. or after hours 5 p.m. to 8 p.m. ET at 1.800.338.7337 (press #4).

Questions or comments that do not require immediate attention may be emailed to [techservices@soundoffsignal.com](mailto:techservices@soundoffsignal.com).

SUPERIOR CUSTOMER RELATIONSHIPS. SMARTLY DESIGNED LIGHTING & ELECTRONIC SOLUTIONS.