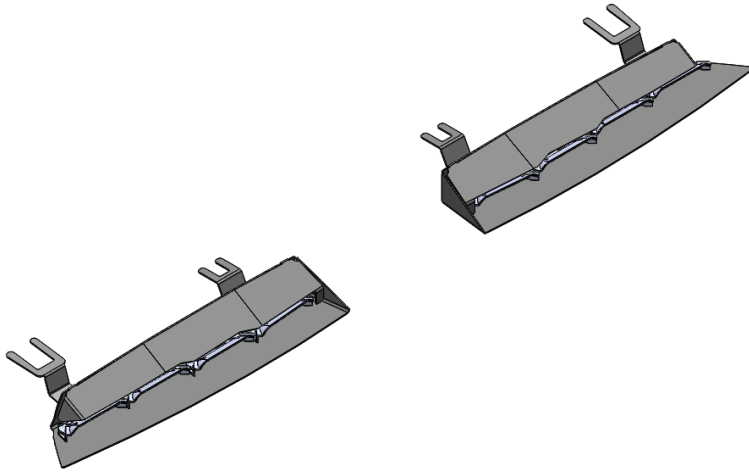




nFORCE LED Interior Lightbar 2020-2022 Ford PI Utility, Front Split



⚠ WARNING

- HIGH CURRENT interconnects must be properly terminated. Poor crimp quality can cause heat build-up and fire. Follow crimp connector manufacturer instructions.
- DO NOT install this product or route any wires in the Air Bag Deployment Zone. Refer to vehicle Owner's Manual for deployment zones.
- Do NOT use system to disconnect headlights, brake lights or other safety equipment.
- Unit may become hot to touch during normal operation.
- Failure to properly install connectors, fuses or wiring may cause vehicle failure or fire.
- Installation must only be performed by trained technician. Installer must determine vehicle wiring configuration and proper integration of system.
- Use proper wire gauge. All power wires connecting to positive (+) or negative (-) battery terminal or local chassis ground (-) must be sized to supply at least 125% of max. current and properly fused at power source.
- Install protective grommets when routing wire through firewall or metal.

NOTICE:

Installers and users must comply with all applicable federal, state and local laws regarding use and installation of warning devices.

Improper use or installation may void warranty coverage.

To review our Limited Warranty Statement & Return Policy for this or any SoundOff Signal product, visit our website at www.soundoffsignal.com/tech-services/returns/.

If you have questions regarding this product, contact **Technical Services**, Monday - Friday, 8 a.m. to 5 p.m. ET at 1.800.338.7337 (press #4).

Questions or comments that do not require immediate attention may be emailed to techservices@soundoffsignal.com.

SoundOff Signal

1.800.338.7337 / www.soundoffsignal.com

1.

INSTALLATION:

1. Pull the clip off the outside of the interior visor. After removing the cover clip, pull out the screws.
2. As seen in Fig. 2, use the outer bracket to line up the holes where the screws had been. Place the bracket onto the holes and put the OEM screws back into their location. Leaving the cover clip off, tighten screws down.
3. To install the inside bracket, remove the screw from the inside of the visor clip. This will loosen the visor clip. Slide the bracket underneath the visor clip, as seen in Fig 2.
4. If needed, pull the clip out and reinstall the visor clip, ensuring the bracket is underneath. When the bracket is underneath the visor clip, screw the OEM screw back in. Leave the screw loose for adjustability when installing the shroud.
5. Take the shroud and position it in the car. Secure the 1/4"-20 bolt into the shroud. The brackets are slotted for adjustment, as needed.
6. When the shroud is in position, tighten down to the brackets.
7. Tighten down the inside visor clip screw left loose in Step 4.
8. Repeat Steps 1-7 for the other side's shroud installation.

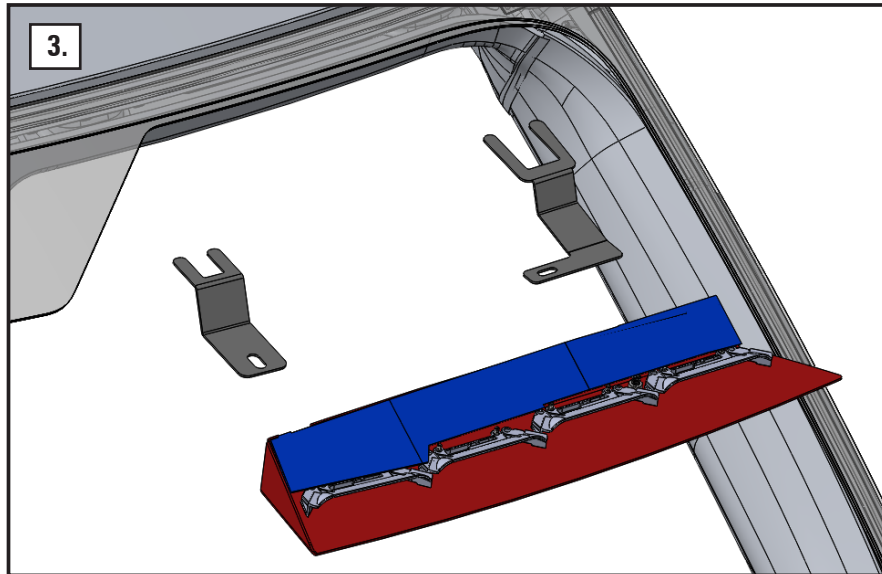
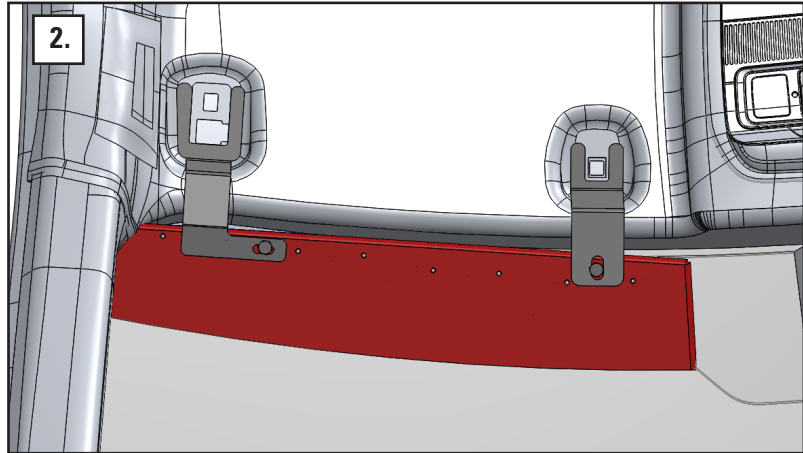
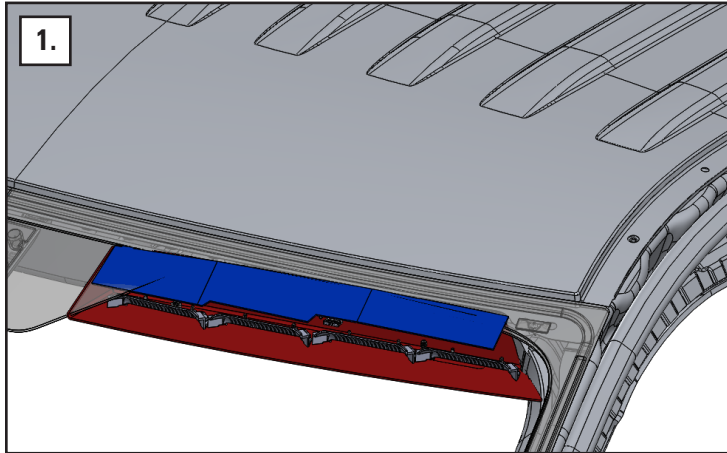
OPERATION:

SEE 'ELECTRICAL INSTALLATION' SECTION OF THE nFORCE LED INTERIOR LIGHTBAR INSTALLATION PACKET.

⚠ WARNING

This product contains high intensity LED devices.
To prevent eye damage, DO NOT stare into the light beam at close range.

ENHANCING SAFETY THROUGH INNOVATION



CONTENTS	
QTY	COMPONENT
1	2020 FORD UTILITY DRIVER'S SIDE SHROUD
1	2020 FORD UTILITY PASSENGER'S SIDE SHROUD
2	DRIVER'S SIDE OUTER HANGING BRACKET
2	PASSENGER'S SIDE OUTER HANGING BRACKET
4	INNER HANGING BRACKETS
4	1/4"-20 X 3/8" BLACK PAN PHILLIPS M-S
1	1/4" BLACK STAR WASHER
1	THICK TRIM
1	THIN TRIM
1	PRODUCT WARNING CARD
1	INSTALLATION INSTRUCTION SHEET

NOTICE:

Installers and users must comply with all applicable federal, state and local laws regarding use and installation of warning devices.

Improper use or installation may void warranty coverage.

To review our Limited Warranty Statement & Return Policy for this or any SoundOff Signal product, visit our website at www.soundoffsignal.com/tech-services/returns/.

If you have questions regarding this product, contact **Technical Services**, Monday - Friday, 8 a.m. to 5 p.m. ET at 1.800.338.7337 (press #4).

Questions or comments that do not require immediate attention may be emailed to techservices@soundoffsignal.com.