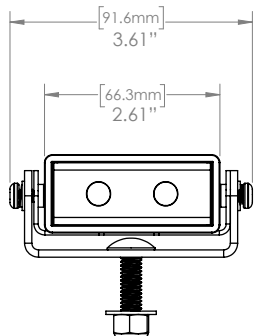




### HP LIGHT KIT

EMPR10004-WW - 2x1  
 EMPR20013-W - 6x1  
 EMPR10037-WW - 2x1 Dual Stack Kit



EMPR10004-WW (2x1) SHOWN

## CAUTION

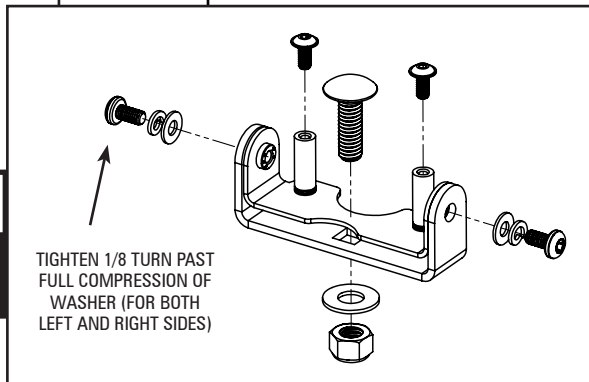
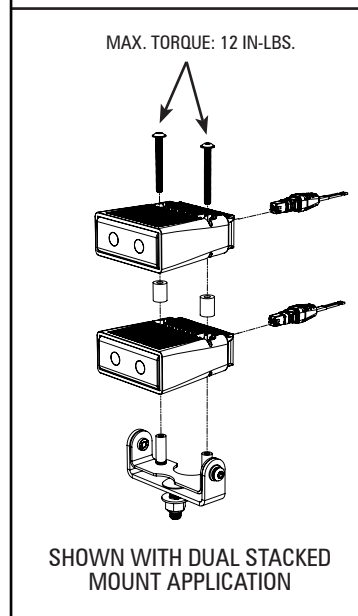
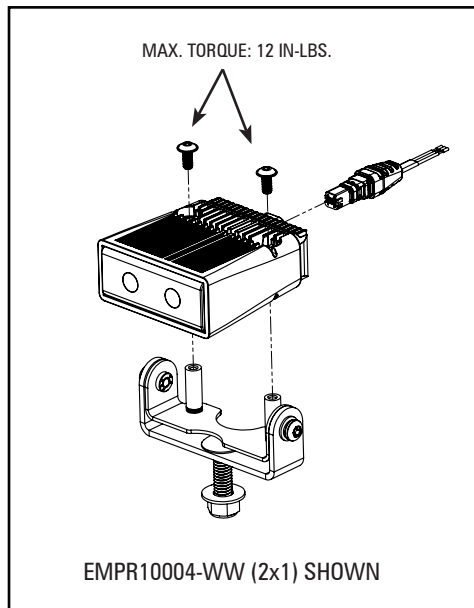
Hot heat sink surface,  
 DO NOT touch while operating.

## WARNING

- HIGH CURRENT interconnects must be properly terminated. Poor crimp quality can cause heat build-up and fire. Follow crimp connector manufacturer instructions.
- DO NOT install this product or route any wires in the Air Bag Deployment Zone. Refer to vehicle Owner's Manual for deployment zones.
- Installation must only be performed by trained technician. Installer must determine vehicle wiring configuration and proper integration of system.
- Use proper wire gauge. All power wires connecting to positive (+) or negative (-) battery terminal or local chassis ground (-) must be sized to supply at least 125% of max. current and properly fused at power source.
- Do NOT use system to disconnect headlights, brake lights or other safety equipment.
- Failure to properly install connectors, fuses or wiring may cause vehicle failure or fire.
- Install protective grommets when routing wire through firewall or metal.
- Unit may become hot to touch during normal operation.



1.800.338.7337 / www.soundoffsignal.com



NOTE: MAKE SURE TO INSTALL LIGHT WITH GORE PATCH FACING DOWN.



DO NOT USE POWER TOOLS TO TIGHTEN

## WARNING

This product contains high intensity LED devices. To prevent eye damage, DO NOT stare into the light beam at close range.

### NOTICE:

Installers and users must comply with all applicable federal, state and local laws regarding use and installation of warning devices.

Improper use or installation may void warranty coverage. To review our Limited Warranty Statement & Return Policy for this or any SoundOff Signal product, visit our website at [www.soundoffsignal.com/tech-services/returns/](http://www.soundoffsignal.com/tech-services/returns/). If you have questions regarding this product, contact Technical Services, Monday - Friday, 8 a.m. to 5 p.m. ET at 1.800.338.7337 (press #4). Questions or comments that do not require immediate attention may be emailed to [tech-services@soundoffsignal.com](mailto:tech-services@soundoffsignal.com).

### EMPR10004-WW INTRODUCTION:

| CONTAINS |                                |
|----------|--------------------------------|
| QTY      | COMPONENT                      |
| 2        | mpower® ORV 2x1 Light          |
| 2        | PMPR1BK001 - Bracket Kit       |
| 2        | PMPR1HN001 - Harness Kit       |
| 1        | Registration Card              |
| 1        | Installation Instruction sheet |
| 1        | Product Warning Card           |

| PMPR1BK001* BRACKET KIT CONTAINS |                                       |
|----------------------------------|---------------------------------------|
| QTY                              | COMPONENT                             |
| 1                                | Cradle Bracket                        |
| 1                                | U Bracket                             |
| 1                                | PMPR1HW001 - HPS Bracket Hardware Kit |

| PMPR1HW001* BRACKET KIT CONTAINS |                                   |
|----------------------------------|-----------------------------------|
| QTY                              | COMPONENT                         |
| 1                                | 5/16-18 Nylon Lock Nut            |
| 2                                | 10-32, 3/8" PAN HD TORX, SS Screw |
| 2                                | 8-32, 3/8" FLNG BTN HD, SS Screw  |
| 1                                | 5/16"-18 X 1" Long Carriage Bolt  |
| 2                                | #10 Flat Washer, 7/16 OD SS       |
| 1                                | 5/16 USS Flat Washer SS 3/4" OD   |
| 2                                | #10 Split Lock Washer, SS         |

| PMPR1HW002** HARDWARE KIT FOR DUAL STACKED MOUNT CONTAINS |                                    |
|---|------------------------------------|
| QTY   | COMPONENT                          |
| 2   | 8-32, 1 1/2" FLNG BTN HD, SS Screw |
| 2   | SPACER, 3/8 OD X 1/2" LONG         |

\*included in purchase  
 \*\*sold separately

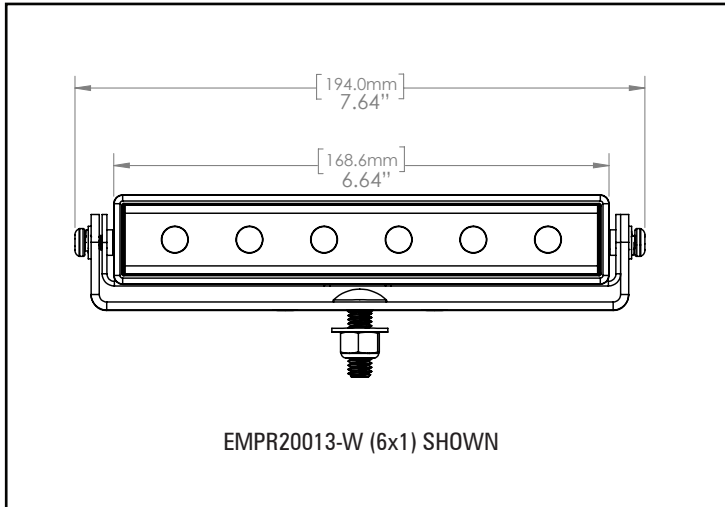
Protected by U.S. Patent 10,703,260 and Patents Pending  
<https://soundoffsignal.com/legal/patent-notification>



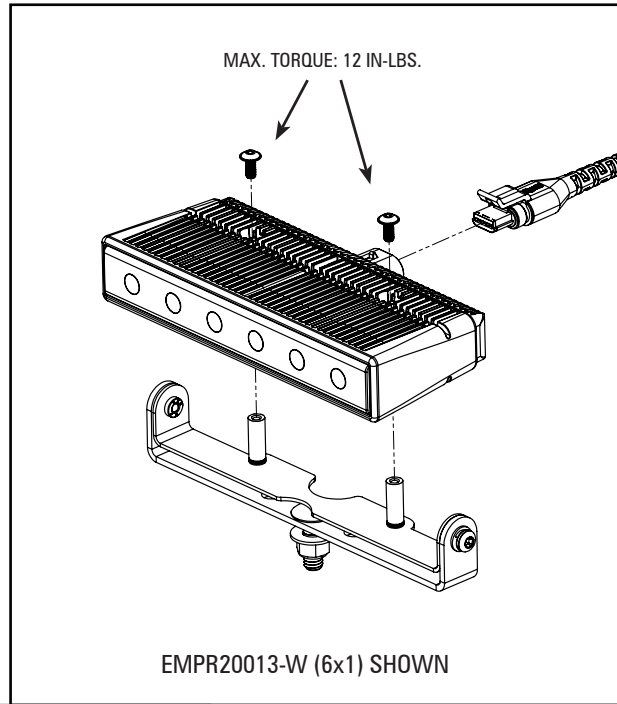
### HP LIGHT KIT

EMPR10004-WW - 2x1

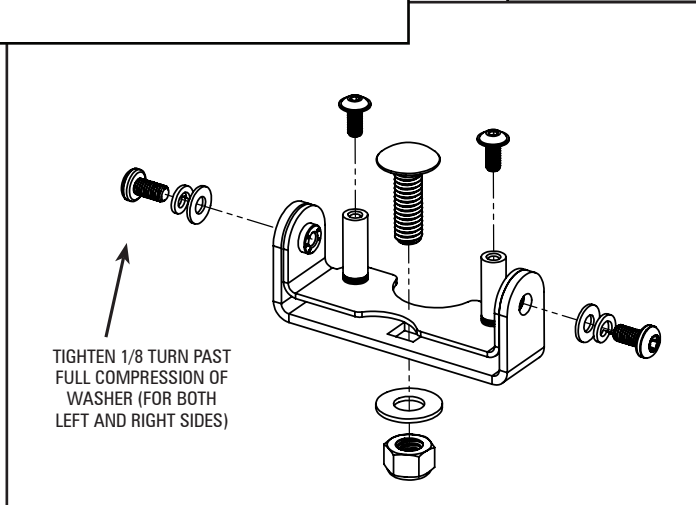
EMPR20013-W - 6x1



EMPR20013-W (6x1) SHOWN



EMPR20013-W (6x1) SHOWN



**DO NOT USE POWER TOOLS TO TIGHTEN**

**CAUTION**

Hot heat sink surface,  
DO NOT touch while operating.

### EMPR20013-W INTRODUCTION:

| CONTAINS |                                |
|----------|--------------------------------|
| QTY      | COMPONENT                      |
| 1        | mpower® ORV 6x1 Light          |
| 1        | PMPR2BK001 - Bracket Kit       |
| 1        | PMPR2HN002 - Harness Kit       |
| 1        | Registration Card              |
| 1        | Installation Instruction sheet |
| 1        | Product Warning Card           |

| PMPR2BK001* BRACKET KIT CONTAINS |                                       |
|----------------------------------|---------------------------------------|
| QTY                              | COMPONENT                             |
| 1                                | Cradle Bracket                        |
| 1                                | U Bracket                             |
| 1                                | PMPR1HW001 - HPS Bracket Hardware Kit |

| PMPR1HW001* BRACKET KIT CONTAINS |                                   |
|----------------------------------|-----------------------------------|
| QTY                              | COMPONENT                         |
| 1                                | 5/16-18 Nylon Lock Nut            |
| 2                                | 10-32, 3/8" PAN HD TORX, SS Screw |
| 2                                | 8-32, 3/8" FLNG BTN HD, SS Screw  |
| 1                                | 5/16"-18 X 1" Long Carriage Bolt  |
| 2                                | #10 Flat Washer, 7/16 OD SS       |
| 1                                | 5/16 USS Flat Washer SS 3/4" OD   |
| 2                                | #10 Split Lock Washer, SS         |

| PMPR2HN002* HARNESS KIT CONTAINS |                                     |
|----------------------------------|-------------------------------------|
| QTY                              | COMPONENT                           |
| 1                                | 3-Wire Harness, TE Connector, HP SP |

| PMPR1HW002** HARDWARE KIT FOR DUAL STACKED MOUNT CONTAINS |                                    |
|---|------------------------------------|
| QTY   | COMPONENT                          |
| 2   | 8-32, 1 1/2" FLNG BTN HD, SS Screw |
| 2   | SPACER, 3/8 OD X 1/2" LONG         |

\*included in purchase  
\*\*available for 6x1 light kit, sold separately



1.800.338.7337 / www.soundoffsignal.com

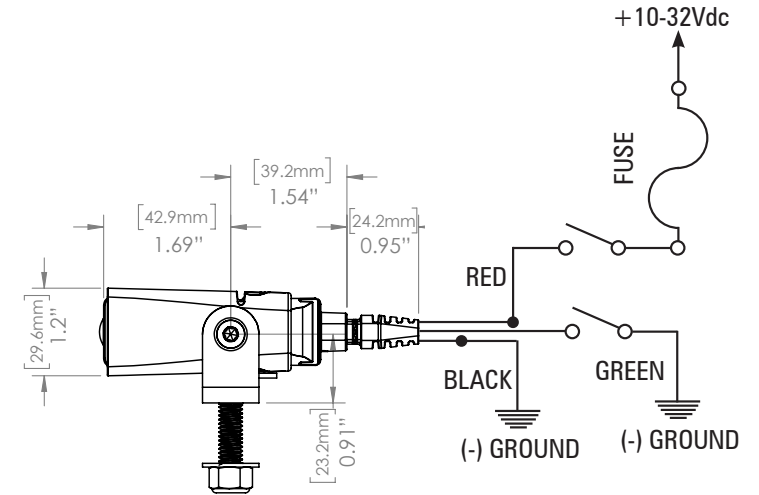


## ELECTRICAL CONNECTIONS:

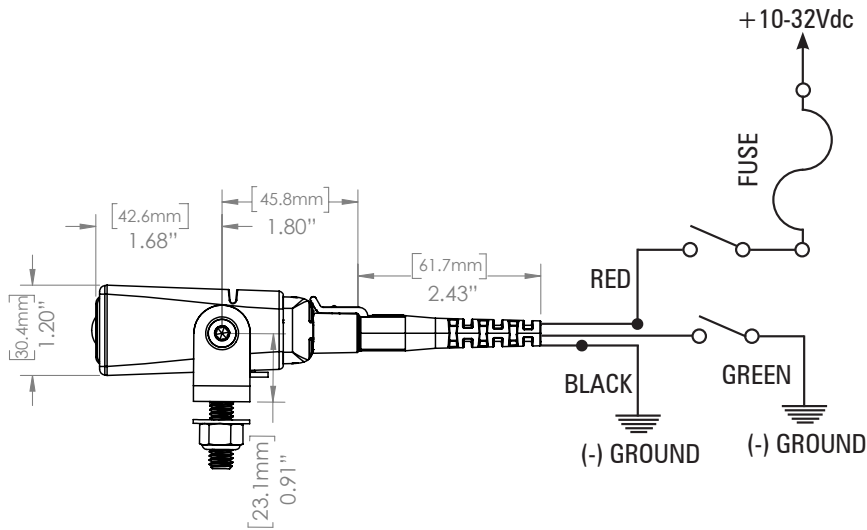
Lights are chassis-grounded. If you need to ground-switch the light, you must isolate the lights metal backing, heatsink, studs and/or screws from the body of the vehicle or use a relay.

See diagram to the left for required electrical connections. Connect the RED wire to +10-32 Vdc through a customer supplied fuse (see Technical Specifications table for fuse rating) and switch. Connect the BLACK wire to a reliable ground. Connect GREEN wire to ground for low power dim operation. Extend 2ft. wire harness using recommended wire gauge for a single light.

| MPOWER® ORV 2X1 TECHNICAL SPECIFICATIONS   |  |              |
|--|--|--------------|
| Overall Dimensions:                        | 1.2"H x 3.61"W x 3.23"D                    |              |
| Dual Stack Dimensions:                     | 2.7"H x 3.61"W x 3.23"D                    |              |
| Input Voltage Range:                       | 10-32Vdc                                   |              |
| Current Draw:                              | 1.25 Amps @ 12.8 Vdc, 0.63 Amps @ 25.6 Vdc |              |
| Wattage:                                   | 16 Watts                                   |              |
| Reverse Polarity, Load Dump, Over Voltage: | Protected                                  |              |
| Operating Temperature:                     | -40° to +65° C                             |              |
| Optical Distribution:                      | Spot - Flood                               |              |
| Number of LEDs:                            | 2  |              |
| Color Temperature:                         | 5700K                                      |              |
| Raw Lumens:                                | 1400                                       |              |
| Fuse Rating Required:                      | 5A   |              |
| Recommended Wire Gauge & Max Length:       | AWG  | LENGTH (ft.) |
|  | 22   | 10           |
|  | 20   | 20           |
|  | 18   | 30           |



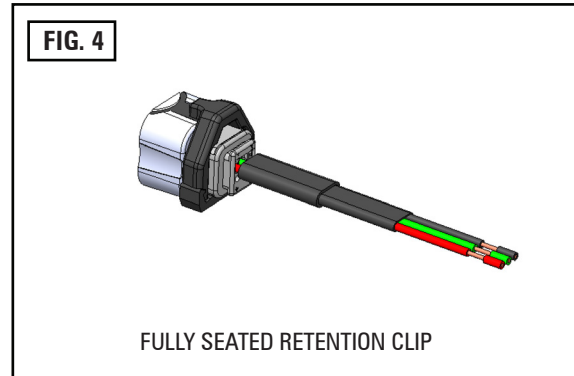
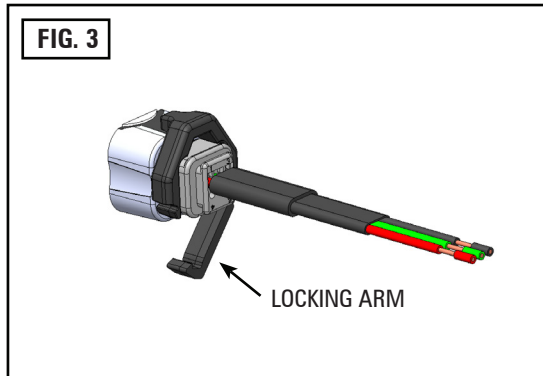
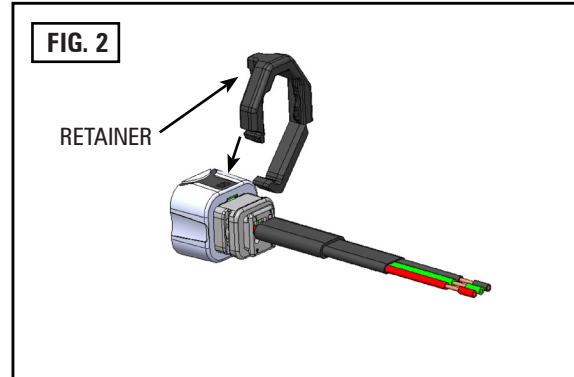
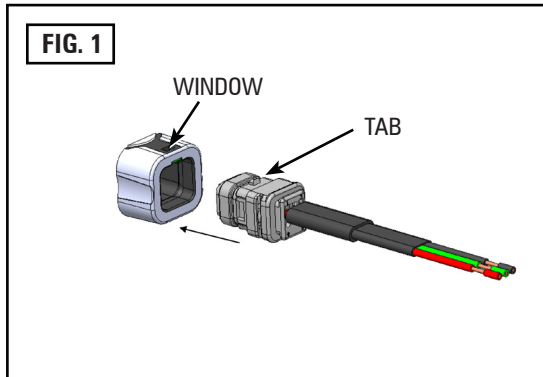
EMPR10004-WW (2x1) SHOWN  
(NOT SHOWN WITH DUAL STACK)



EMPR20013-W (6x1) SHOWN  
(NOT SHOWN WITH DUAL STACK)

| MPOWER® ORV 6x1 TECHNICAL SPECIFICATIONS   |                                      |              |
|--|--------------------------------------|--------------|
| Overall Dimensions:                        | 1.2"H x 7.64"W x 3.48"D              |              |
| Dual Stack Dimensions:                     | 2.7"H x 7.64"W x 3.48"D              |              |
| Input Voltage Range:                       | 10-32Vdc                             |              |
| Current Draw:                              | 4 Amps @ 12.8 Vdc, 2 Amps @ 25.6 Vdc |              |
| Wattage:                                   | 51 Watts                             |              |
| Reverse Polarity, Load Dump, Over Voltage: | Protected                            |              |
| Operating Temperature:                     | -40° to +65° C                       |              |
| Optical Distribution:                      | Spot - Flood                         |              |
| Number of LEDs:                            | 6                                    |              |
| Color Temperature:                         | 5700K                                |              |
| Raw Lumens:                                | 4300                                 |              |
| Fuse Rating Required:                      | 7.5A                                 |              |
| Recommended Wire Gauge & Max Length:       | AWG                                  | LENGTH (ft.) |
|  | 18                                   | 14           |
|  | 16                                   | 22           |
|  | 14                                   | 35           |

## HP LIGHT KIT



### RETENTION CLIP INSTRUCTIONS\*

1. Plug harness into light housing, aligning tab to window, as shown in Fig 1.
2. Install the retainer clip over harness/light interface, inserting retainer into window, as shown in Fig. 2.
3. Press retainer clip's locking arm to snap closed.

\*In the event the harness needs to be disengaged from the light, these instructions can be used to reattach and apply the retention clip.

#### NOTICE:

Installers and users must comply with all applicable federal, state and local laws regarding use and installation of warning devices.

*Improper use or installation may void warranty coverage.*

To review our Limited Warranty Statement & Return Policy for this or any SoundOff Signal product, visit our website at [www.soundoffsignal.com/tech-services/returns/](http://www.soundoffsignal.com/tech-services/returns/).

If you have questions regarding this product, contact **Technical Services**, Monday - Friday, 8 a.m. to 5 p.m. ET at 1.800.338.7337 (press #4).

Questions or comments that do not require immediate attention may be emailed to [techservices@soundoffsignal.com](mailto:techservices@soundoffsignal.com).