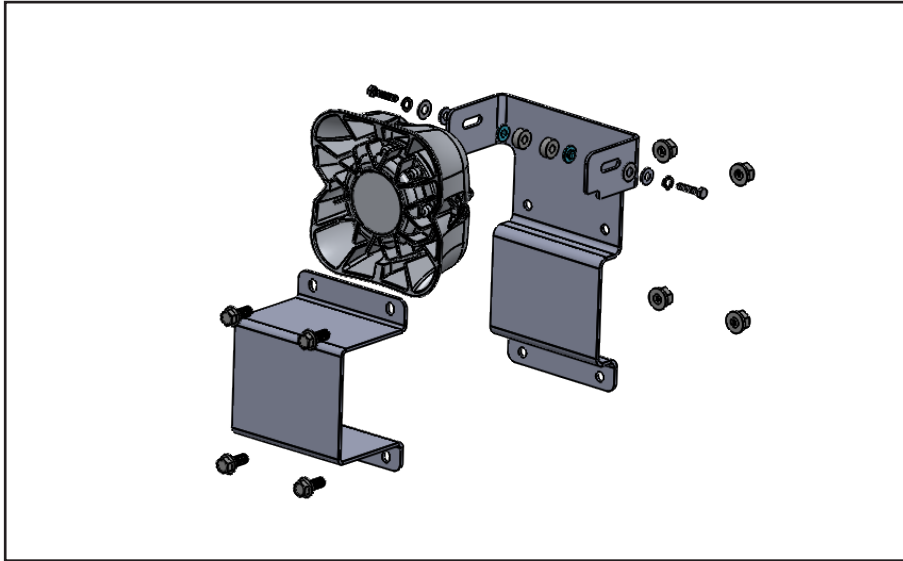


CHARGER BUMPER SPEAKER BRACKET

ETSS100CBKDC15 (for 2015 - 2021 model years)



BRACKET COMPATIBLE WITH SPEAKERS:

- 100C
- 100N
- 100J

WARNING

- Sirens produce loud sounds that may damage hearing
- | Roll up windows
- | Wear hearing protection
- | Use only for emergency response
- | Avoid exposure to siren sound outside of vehicle



IMPORTANT

TO AVOID DAMAGE TO SPEAKER USE THE SUPPLIED PLASTIC WASHERS ON BOTH SIDES OF METAL BRACKET. FOLLOW INSTRUCTIONS ON NEXT PAGE.

ASSEMBLY SHOWN IS REPRESENTATIVE ONLY. EACH SPEAKER IS SLIGHTLY DIFFERENT AND INSTALLER IS RESPONSIBLE FOR SECURE MOUNTING IN BRACKET.

WARNING

- HIGH CURRENT interconnects must be properly terminated. Poor crimp quality can cause heat build-up and fire. Follow crimp connector manufacturer instructions.
- DO NOT install this product or route any wires in the Air Bag Deployment Zone. Refer to vehicle Owner's Manual for deployment zones.
- Do NOT use system to disconnect headlights, brake lights or other safety equipment.
- Unit may become hot to touch during normal operation.
- Failure to properly install connectors, fuses or wiring may cause vehicle failure or fire.
- Installation must only be performed by trained technician. Installer must determine vehicle wiring configuration and proper integration of system.
- Use proper wire gauge. All power wires connecting to positive (+) or negative (-) battery terminal or local chassis ground (-) must be sized to supply at least 125% of max. current and properly fused at power source.
- Install protective grommets when routing wire through firewall or metal.

TECHNICAL SPECIFICATIONS

Material:	Steel with powder coated black finish
Dimensions (bracket only):	11"H x 7.3"W x 4.5"D

NOTICE:

Installers and users must comply with all applicable federal, state and local laws regarding use and installation of warning devices.

Improper use or installation may void warranty coverage.

To review our Limited Warranty Statement & Return Policy for this or any SoundOff Signal product, visit our website at www.soundoffsignal.com/tech-services/returns/.

If you have questions regarding this product, contact **Technical Services**, Monday - Friday, 8 a.m. to 5 p.m. ET at 1.800.338.7337 (press #4).

Questions or comments that do not require immediate attention may be emailed to techservices@soundoffsignal.com.

SoundOff
Signal 

1.800.338.7337 / www.soundoffsignal.com

ENHANCING SAFETY THROUGH INNOVATION

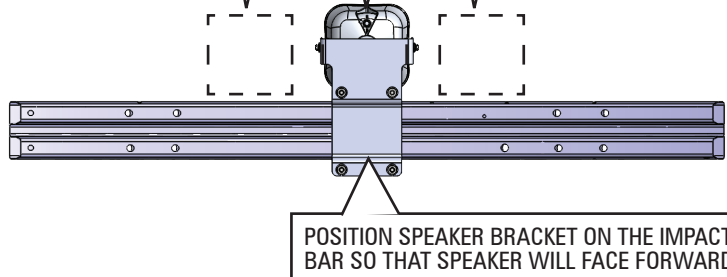
CHARGER BUMPER SPEAKER BRACKET

ETSS100CBKDC15 (for 2015 - 2021 model years)

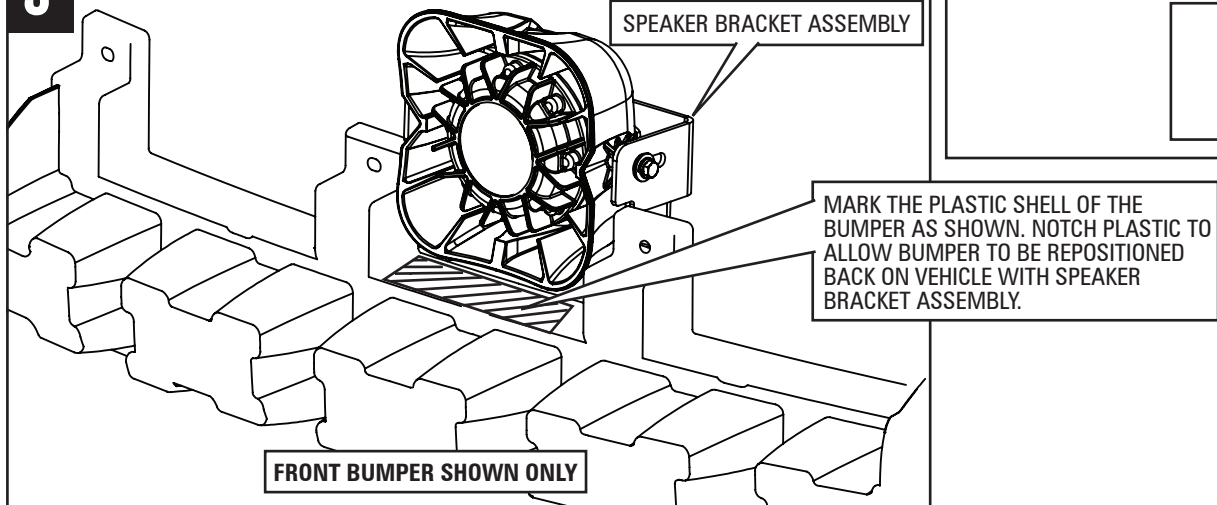
- 1** REMOVE FRONT BUMPER COVER ASSEMBLY AS ONE PIECE AND NOT INDIVIDUALLY. CONSULT A LOCAL CHRYSLER SERVICE CENTER FOR BEST DISASSEMBLY METHOD.

-KEEP ALL HARDWARE-

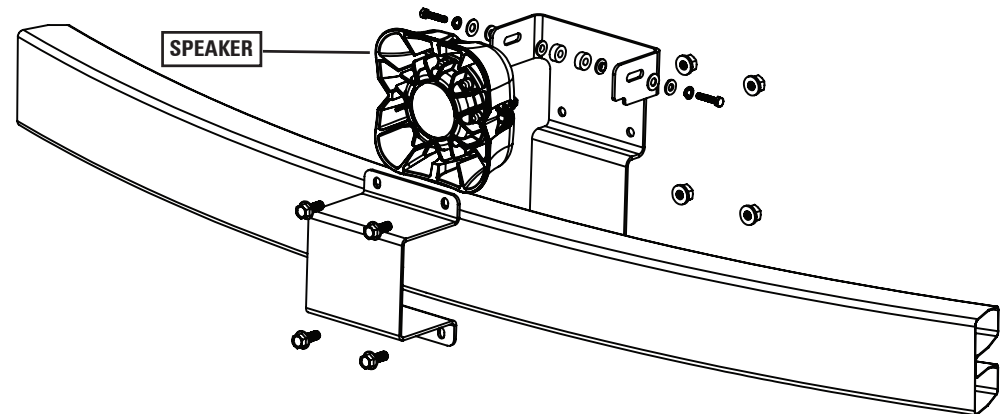
- 2** **BACK VIEW OF FRONT BUMPER ASSEMBLY**
RECOMMENDED SPEAKER BRACKET LOCATIONS



- 3** **NOTE: OUTER BUMPER SHELL NOT SHOWN FOR CLARITY**



- 4**



**-ASSEMBLE AS SHOWN-
PARTS WILL VARY DEPENDING ON SPEAKER.
SEE STEP 5**

SoundOff
Signal 

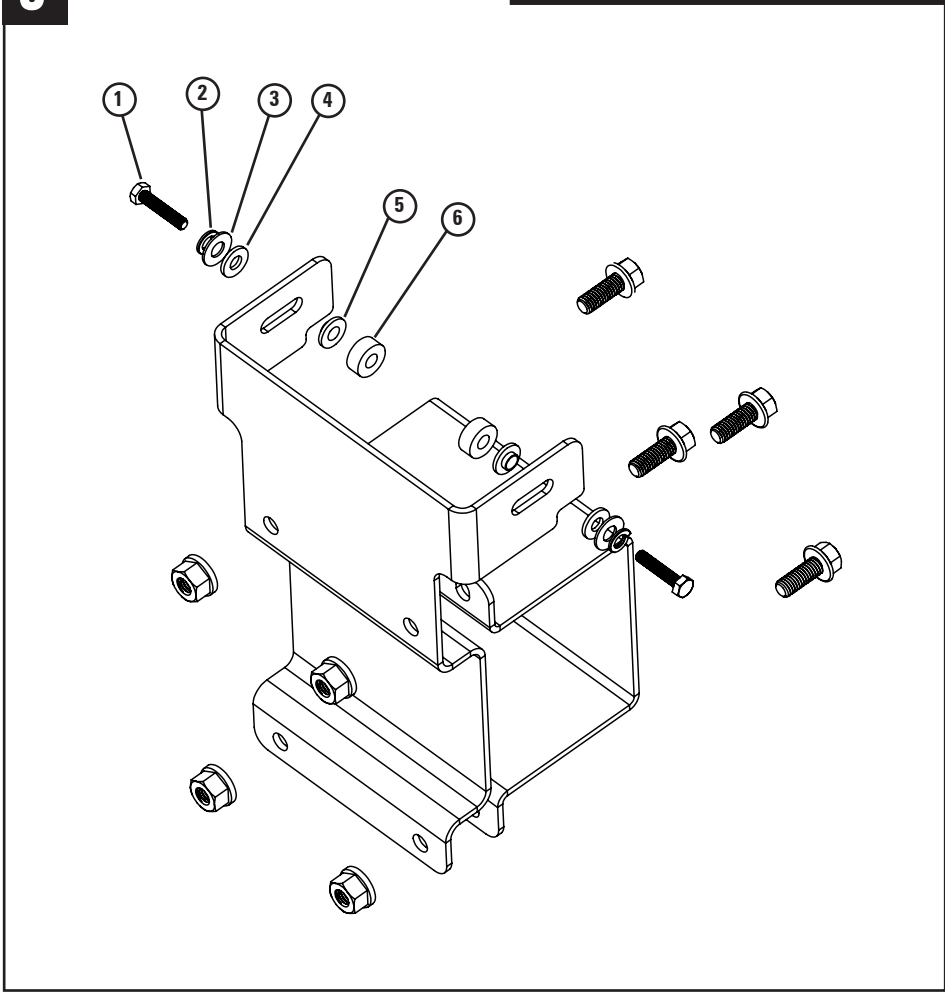
1.800.338.7337 / www.soundoffsignal.com

CHARGER BUMPER SPEAKER BRACKET

ETSS100CBKDC15 (for 2015 - 2021 model years)

5

IMAGE IS FOR REFERENCE ONLY



100N HARDWARE

ITEM#	DESCRIPTION
1	M6X30MM SS BOLT
2	SS LOCK WASHER
3	SS WASHER
4	OUTER PLASTIC WASHER
5	INNER PLASTIC WASHER
6	0.5" PLASTIC SPACER

100J HARDWARE

ITEM#	DESCRIPTION
1	M6X30MM SS BOLT
2	SS LOCK WASHER
3	SS WASHER
4	OUTER PLASTIC WASHER
5	INNER PLASTIC WASHER
6	0.31" PLASTIC SPACER

100C HARDWARE

ITEM#	DESCRIPTION
1	1/4" - 20X0.75" SS BOLT
2	SS LOCK WASHER
3	SS WASHER
4	OUTER PLASTIC WASHER
5	INNER PLASTIC WASHER
6	NOT USED



CHARGER BUMPER SPEAKER BRACKET

ETSS100CBKDC15 (for 2015 - 2021 model years)

100N **IMPORTANT**

HARDWARE SAME AS 100H SPEAKERS

EXCEPT USE M6 BOLTS PROVIDED WITH KIT

7

NOTE

VERIFY THE CORRECT HARDWARE IS BEING USED DEPENDING ON THE MODEL SPEAKER LISTED ON PREVIOUS PAGE BEFORE PROCESSING TO NEXT STEP.

8

WIRE SPEAKER TO SIREN OUTPUT AND TEST

9

RE-INSTALL FRONT BUMPER COVER ASSEMBLY USING
PREVIOUSLY REMOVED HARDWARE

