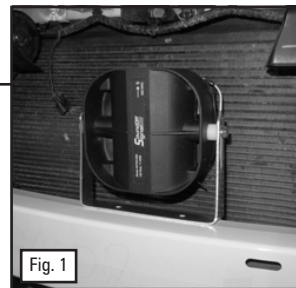
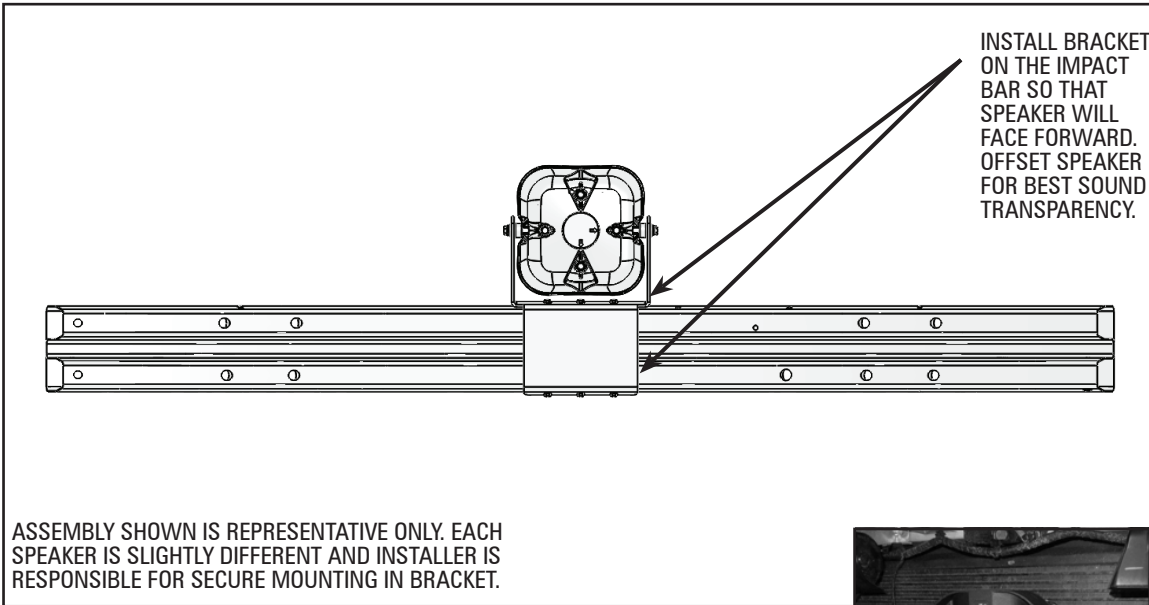


# 100C/100J/100N SERIES SPEAKER BRACKET (DRILL REQUIRED) FOR DODGE CHARGER 2011 - 2023, BUMPER MOUNT CENTER

ETSS100CBKDC11



FOR 100C,100N and 100J SPEAKERS ONLY.

## ⚠ WARNING

- HIGH CURRENT interconnects must be properly terminated. Poor crimp quality can cause heat build-up and fire. Follow crimp connector manufacturer instructions.
- DO NOT install this product or route any wires in the Air Bag Deployment Zone. Refer to vehicle Owner's Manual for deployment zones.
- Do NOT use system to disconnect headlights, brake lights or other safety equipment.
- Unit may become hot to touch during normal operation.
- Failure to properly install connectors, fuses or wiring may cause vehicle failure or fire.
- Installation must only be performed by trained technician. Installer must determine vehicle wiring configuration and proper integration of system.
- Use proper wire gauge. All power wires connecting to positive (+) or negative (-) battery terminal or local chassis ground (-) must be sized to supply at least 125% of max. current and properly fused at power source.
- Install protective grommets when routing wire through firewall or metal.

## NOTICE:

Installers and users must comply with all applicable federal, state and local laws regarding use and installation of warning devices.

*Improper use or installation may void warranty coverage.*

To review our Limited Warranty Statement & Return Policy for this or any SoundOff Signal product, visit our website at [www.soundoffsignal.com/tech-services/returns/](http://www.soundoffsignal.com/tech-services/returns/).

If you have questions regarding this product, contact **Technical Services**, Monday - Friday, 8 a.m. to 5 p.m. ET at 1.800.338.7337 (press #4).

Questions or comments that do not require immediate attention may be emailed to [techservices@soundoffsignal.com](mailto:techservices@soundoffsignal.com).

**SoundOff  
Signal**

1.800.338.7337 / [www.soundoffsignal.com](http://www.soundoffsignal.com)

## INSTALLATION:

- 1) Front bumper cover assembly must be removed to install speaker bracket. Assembly should be removed as one piece and not individually. Consult a local Chrysler service center for best disassembly method. Keep all hardware.
- 2) Place the bracket in the position desired and mark hole locations.

**Note: Mount speaker off-center so that it has the least grill material in front of it. This will ensure the best performance.**

- 3) If desired, drill pilot holes in impact bar (see #4 below for explanation).
- 4) Fasten bracket to cross-beam with 6 #10-16x3/4" self-drilling screws with 5/16" hex head. Screws do not need pilot holes but may be used if desired. DO NOT OVER-TIGHTEN screws as this may strip out holes.
- 5) Install speaker using the appropriate hardware.
- 6) Wire speaker to siren output and test.
- 7) Re-install front bumper cover assembly using previously removed hardware.

**Note: It is recommended that the front bumper cover assembly be removed for access to front beam as shown in Fig 1. For complete explanation of disassembly, contact a local Chrysler service center.**

## ⚠ WARNING

- Sirens produce loud sounds that may damage hearing
- | Roll up windows
  - | Wear hearing protection
  - | Use only for emergency response
  - | Avoid exposure to siren sound outside of vehicle

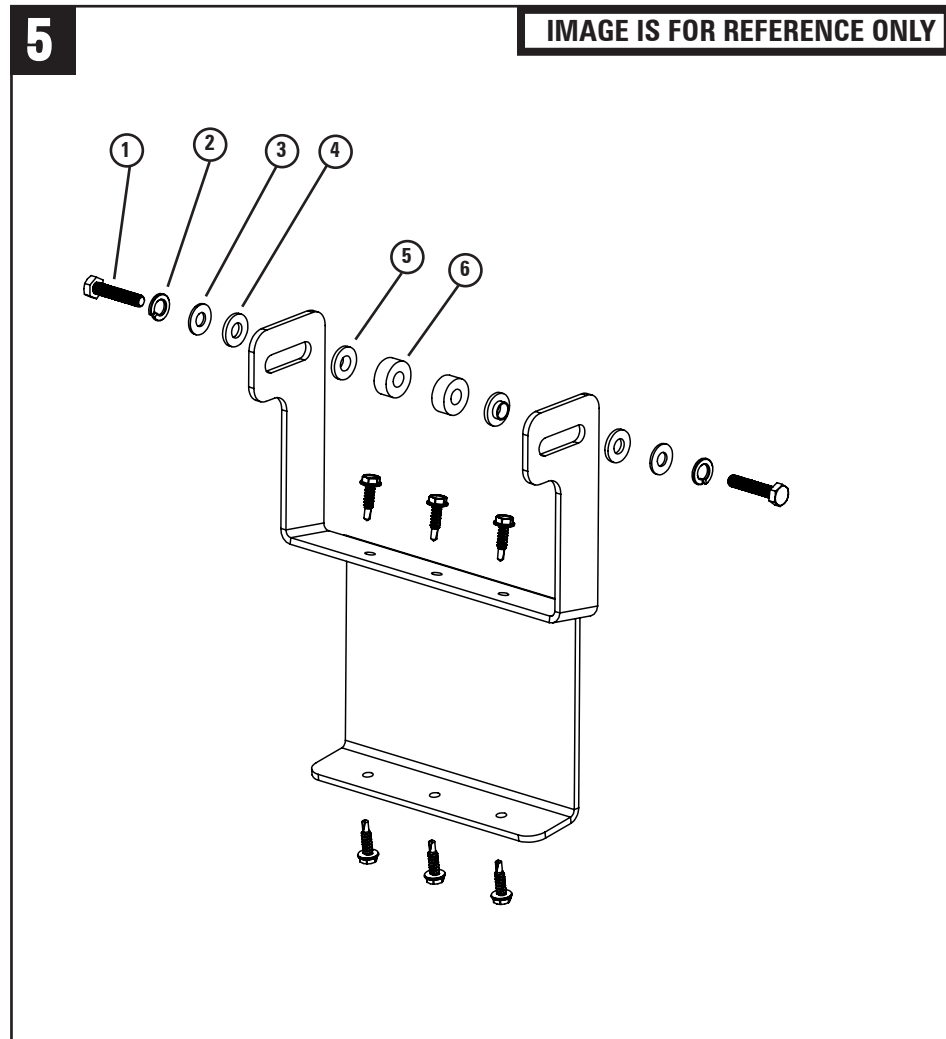


## TECHNICAL SPECIFICATIONS

Material:	Steel with powder coated black finish
Dimensions (bracket only):	9.4"H x 7.3"W x 2.4"D

# 100C/100J/100N SERIES SPEAKER BRACKET (DRILL REQUIRED) FOR DODGE CHARGER 2011 - 2023, BUMPER MOUNT CENTER

ETSS100CBKDC11



## 100N HARDWARE

ITEM#	DESCRIPTION
1	M6X30MM SS BOLT
2	SS LOCK WASHER
3	SS WASHER
4	OUTER PLASTIC WASHER
5	INNER PLASTIC WASHER
6	0.5" PLASTIC SPACER

## 100J HARDWARE

ITEM#	DESCRIPTION
1	M6X30MM SS BOLT
2	SS LOCK WASHER
3	SS WASHER
4	OUTER PLASTIC WASHER
5	INNER PLASTIC WASHER
6	0.31" PLASTIC SPACER

## 100C HARDWARE

ITEM#	DESCRIPTION
1	1/4" - 20X0.75" SS BOLT
2	SS LOCK WASHER
3	SS WASHER
4	OUTER PLASTIC WASHER
5	INNER PLASTIC WASHER
6	NOT USED

**SoundOff**  
**Signal**

1.800.338.7337 / [www.soundoffsignal.com](http://www.soundoffsignal.com)