

CAPRICE SPEAKER BRACKET

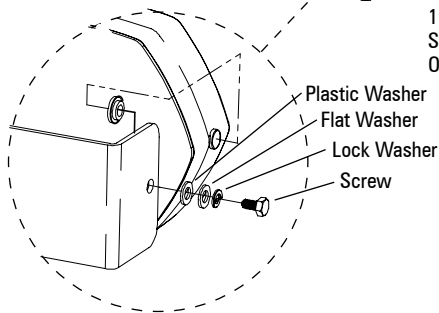
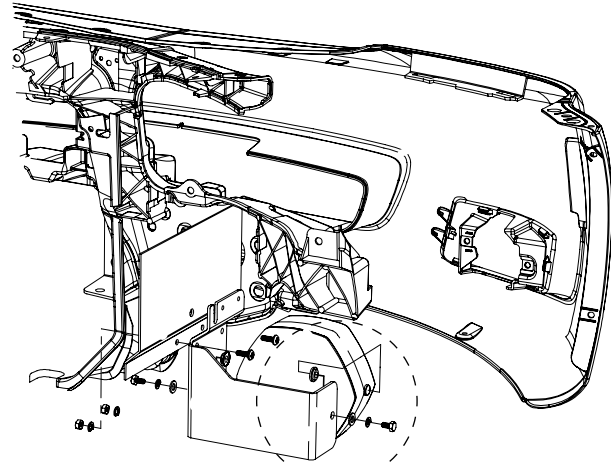
For 2011-2017 Model Years

#ETSS100BKCP-D Driver Side*

#ETSS100BKCP-P Passenger Side*

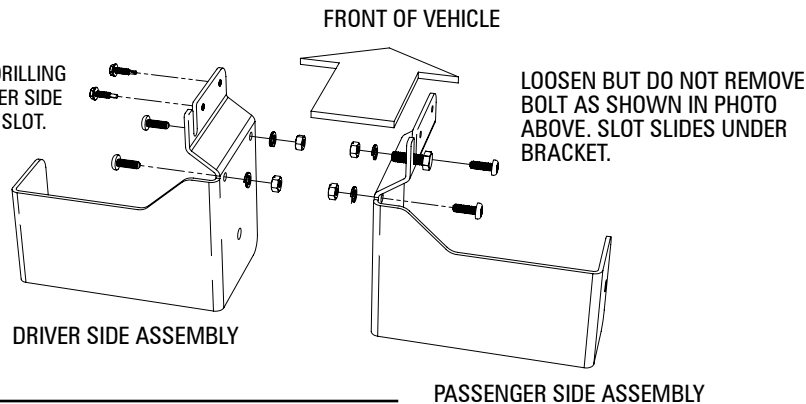
BRACKET IS COMPATIBLE WITH 100C (#ETSS100C), & 100N (#ETSS100N) SPEAKERS.

**FOR 100N SPEAKERS ONLY.
USE THE LABELED HARDWARE KIT**



10-16x3/4" SELF-DRILLING SCREWS ON DRIVER SIDE ONLY. DISREGARD SLOT.

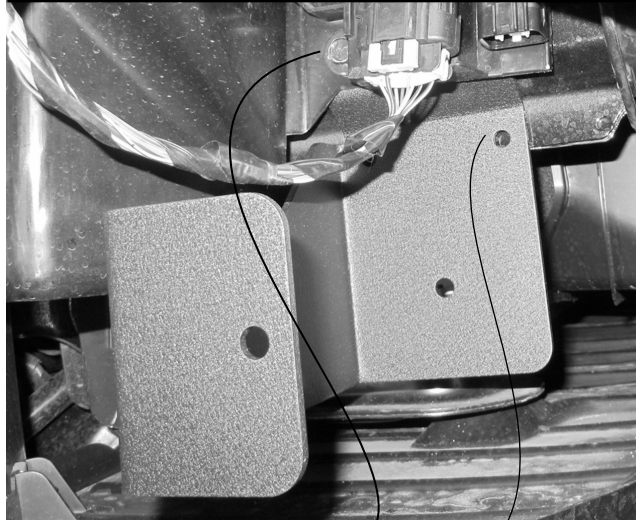
Plastic Washer
Flat Washer
Lock Washer
Screw



DRIVER SIDE ASSEMBLY

PASSENGER SIDE ASSEMBLY

*NOTE: DRIVER SIDE AND PASSENGER SIDE BRACKETS ARE ATTACHED DIFFERENTLY. BRACKETS SHOULD BE ATTACHED AT ROUGHLY THE SAME POSITION LONGITUDINALLY.



LOOSEN (DO NOT REMOVE) BOLT

DRILL CLEARANCE HOLES FOR 1/4"-20 BOLT IN FLANGE OF STRUCTURAL MEMBER.

FRONT OF VEHICLE

LOOSEN BUT DO NOT REMOVE BOLT AS SHOWN IN PHOTO ABOVE. SLOT SLIDES UNDER BRACKET.

! WARNING



Sirens produce loud sounds that may damage hearing. To protect hearing:

- Roll up windows
- Wear hearing protection
- Use only for emergency response
- Avoid exposure to sound outside of vehicle

TECHNICAL SPECIFICATIONS

Material:	Steel with powder coated black finish
Dimensions (bracket only):	9.34" H x 7.54" W x 2.64" D

NOTICE:

Installers and users must comply with all applicable federal, state and local laws regarding use and installation of warning devices.

Improper use or installation may void warranty coverage. To review our Limited Warranty Statement & Return Policy for this or any SoundOff Signal product, visit our website at www.soundoffsignal.com/support/. If you have questions regarding this product, contact **Technical Services**, Monday - Friday, 8 a.m. to 5 p.m. or after hours 5 p.m. to 8 p.m. EST at 1.800.338.7337 (press #4 to skip the automated message). Questions or comments that do not require immediate attention may be emailed to techservices@soundoffsignal.com.

Important Information:

- Warning devices are strictly regulated and governed by Federal, State and Municipal ordinances. These devices shall be used ONLY on approved vehicles. It is the sole responsibility of the user of these devices to ensure compliance.

**SoundOff
Signal**
Smart Design.

1.800.338.7337 / www.soundoffsignal.com

SUPERIOR CUSTOMER RELATIONSHIPS. SMARTLY DESIGNED LIGHTING & ELECTRONIC SOLUTIONS.