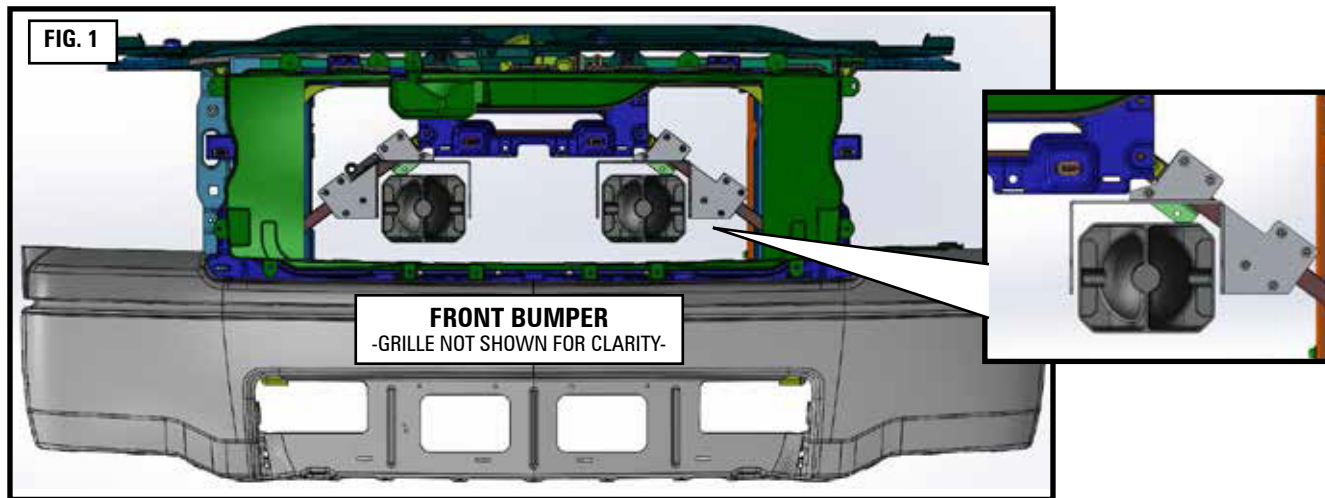


# 2015 - 2020 TAHOE FRONT RADIATOR SPEAKER BRACKET WITHOUT ACTIVE GRILL SHUTTERS (AGS)

ETSS100CBKTH15-D (for 2015 - 2020 model years)

ETSS100CBKTH15-P (for 2015 - 2020 model years)

Note: It is recommended that the front bumper cover assembly be removed for access to front beam. For complete explanation of disassembly contact a local GM service center.



## ⚠ WARNING

- HIGH CURRENT interconnects must be properly terminated. Poor crimp quality can cause heat build-up and fire. Follow crimp connector manufacturer instructions.
- DO NOT install this product or route any wires in the Air Bag Deployment Zone. Refer to vehicle Owner's Manual for deployment zones.
- Do NOT use system to disconnect headlights, brake lights or other safety equipment.
- Unit may become hot to touch during normal operation.
- Failure to properly install connectors, fuses or wiring may cause vehicle failure or fire.
- Installation must only be performed by trained technician. Installer must determine vehicle wiring configuration and proper integration of system.
- Use proper wire gauge. All power wires connecting to positive (+) or negative (-) battery terminal or local chassis ground (-) must be sized to supply at least 125% of max. current and properly fused at power source.
- Install protective grommets when routing wire through firewall or metal.



**BRACKET COMPATIBLE WITH SPEAKERS**

**ETSS100C  
ETSS100J  
ETSS100N**

### NOTICE:

Installers and users must comply with all applicable federal, state and local laws regarding use and installation of warning devices.

*Improper use or installation may void warranty coverage.*

To review our Limited Warranty Statement & Return Policy for this or any SoundOff Signal product, visit our website at [www.soundoffsignal.com/tech-services/returns/](http://www.soundoffsignal.com/tech-services/returns/). If you have questions regarding this product, contact **Technical Services**, Monday - Friday, 8 a.m. to 5 p.m. or after hours 5 p.m. to 8 p.m. ET at **1.800.338.7337** (press #4). Questions or comments that do not require immediate attention may be emailed to [techservices@soundoffsignal.com](mailto:techservices@soundoffsignal.com).

## INSTALLATION:

- 1) Front bumper cover assembly must be removed to install speaker bracket. Assembly should be removed as one piece and not individually. Consult a local GM service center for best disassembly method. Keep all hardware.
- 2) Mount speaker bracket using the supplied hardware, as shown on figure 2.
- 3) Install speaker using the appropriate hardware. See page 2. Follow all warnings and suggestions for installation.
- 4) Wire speaker to siren output and test.
- 5) Re-install front bumper cover assembly

**NOTE: For GM vehicles with Active Grill Shutters, please refer to the Installation Instructions titled "Installation with Active Grill Shutters (AGS)."**



## ⚠ WARNING

Sirens produce loud sounds that may damage hearing:

- Roll up windows.
- Wear hearing protection.
- Use only for emergency response.
- Avoid exposure to siren sound outside of vehicle.

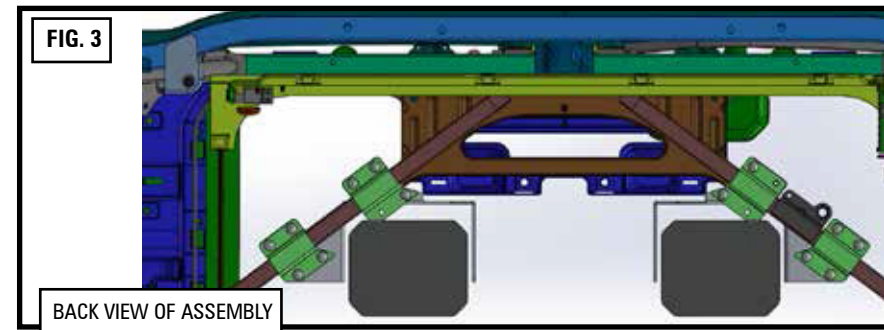
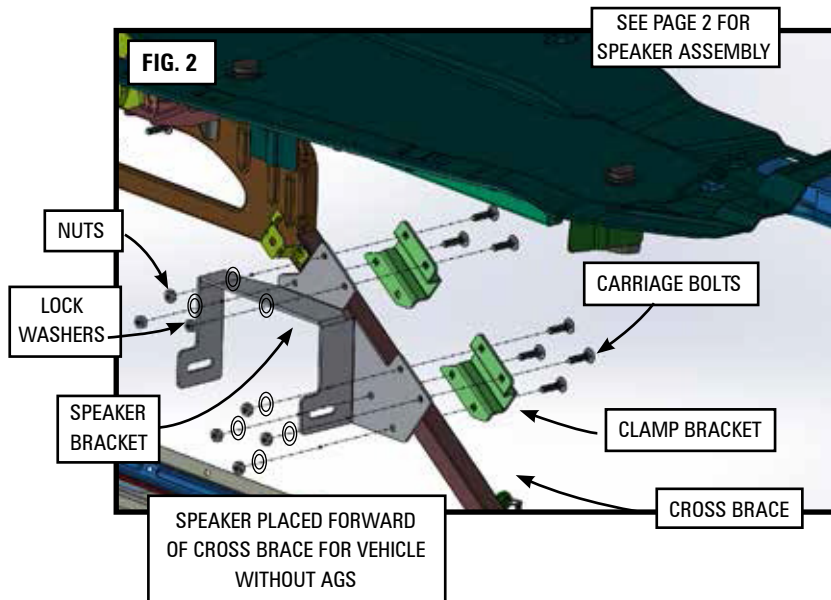
## TECHNICAL SPECIFICATIONS

Material:	Steel with powder coated black finish
Dimensions (bracket only):	7" H x 12" W x 3.5" D

# 2015 - 2020 TAHOE FRONT RADIATOR SPEAKER BRACKET WITHOUT ACTIVE GRILL SHUTTERS (AGS)

ETSS100CBKTH15-D (for 2015 - 2020 model years)

ETSS100CBKTH15-P (for 2015 - 2020 model years)



**NOTICE:**

Installers and users must comply with all applicable federal, state and local laws regarding use and installation of warning devices.

*Improper use or installation may void warranty coverage.*

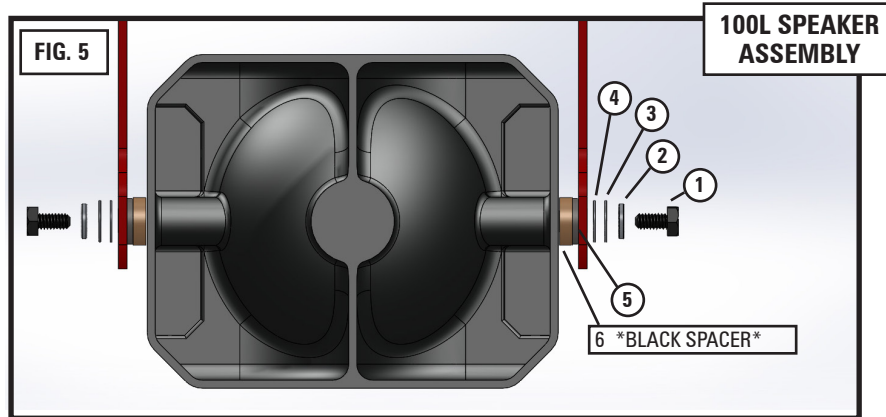
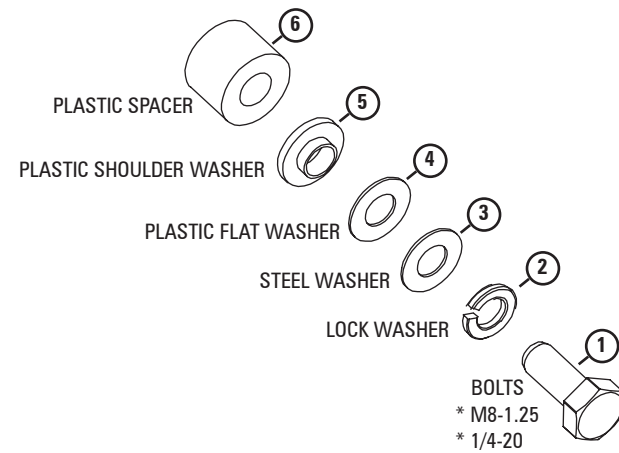
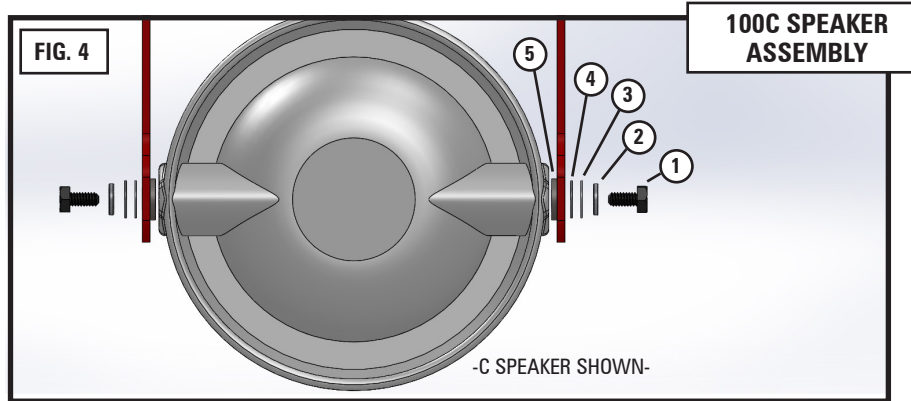
To review our Limited Warranty Statement & Return Policy for this or any SoundOff Signal product, visit our website at [www.soundoffsignal.com/tech-services/returns/](http://www.soundoffsignal.com/tech-services/returns/). If you have questions regarding this product, contact **Technical Services**, Monday - Friday, 8 a.m. to 5 p.m. or after hours 5 p.m. to 8 p.m. ET at 1.800.338.7337 (press #4).

Questions or comments that do not require immediate attention may be emailed to [techservices@soundoffsignal.com](mailto:techservices@soundoffsignal.com).

# 2015 - 2020 TAHOE FRONT RADIATOR SPEAKER BRACKET WITHOUT ACTIVE GRILL SHUTTERS (AGS)

ETSS100CBKTH15-D (for 2015 - 2020 model years)

ETSS100CBKTH15-P (for 2015 - 2020 model years)



**100N SPEAKER**  
USE THE LABELED BOLTS IN BAG  
AND HARDWARE 2 THRU 6.

**IMPORTANT**  
TO AVOID DAMAGE TO SPEAKER USE THE SUPPLIED  
PLASTIC WASHERS ON BOTH SIDES OF METAL BRACKET.  
AS SHOWN ON PICTURE.



**NOTICE:**  
Installers and users must comply with all applicable federal, state and local laws regarding use and installation of warning devices.

*Improper use or installation may void warranty coverage.*

To review our Limited Warranty Statement & Return Policy for this or any SoundOff Signal product, visit our website at [www.soundoffsignal.com/tech-services/returns/](http://www.soundoffsignal.com/tech-services/returns/).  
If you have questions regarding this product, contact **Technical Services**, Monday - Friday, 8 a.m. to 5 p.m. or after hours 5 p.m. to 8 p.m. ET at 1.800.338.7337 (press #4).  
Questions or comments that do not require immediate attention may be emailed to [techservices@soundoffsignal.com](mailto:techservices@soundoffsignal.com).

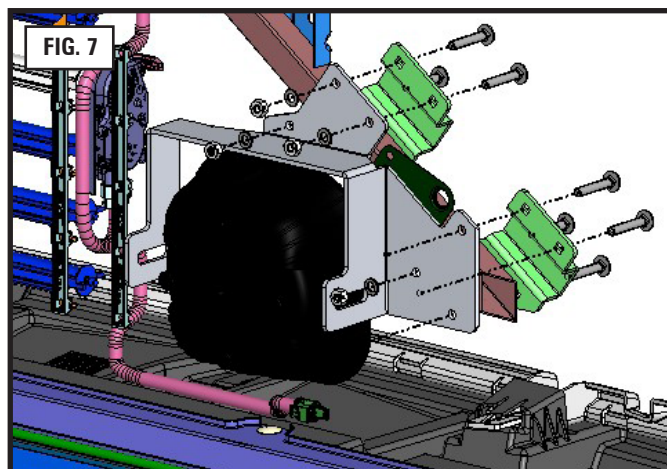
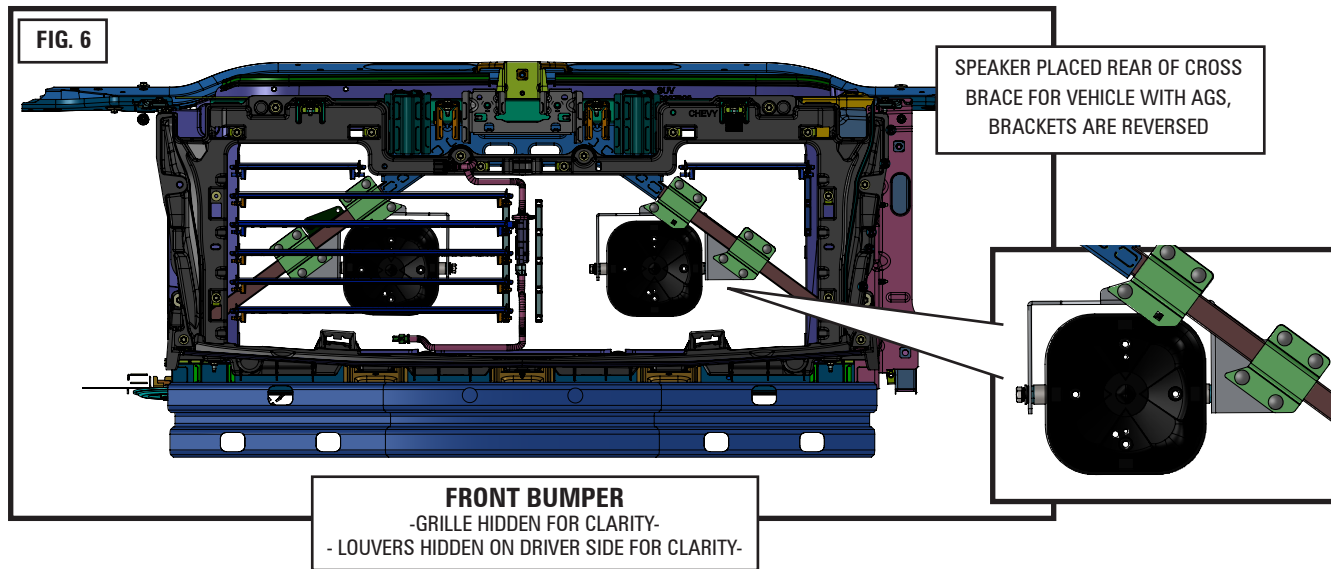
SUPERIOR CUSTOMER RELATIONSHIPS. SMARTLY DESIGNED LIGHTING & ELECTRONIC SOLUTIONS.

## 2015 - 2017 TAHOE FRONT RADIATOR SPEAKER

### BRACKET WITH ACTIVE GRILL SHUTTERS (AGS)

ETSS100CBKTH15-D (for 2015 - 2017 model years)

ETSS100CBKTH15-P (for 2015 - 2017 model years)



### INSTALLATION WITH ACTIVE GRILL SHUTTERS (AGS):

- 1) Front bumper cover assembly must be removed to install speaker bracket. Assembly should be removed as one piece and not individually. Consult a local GM service center for best disassembly method. Keep all hardware.
- 2) Mount speaker bracket using the supplied hardware as shown on figure 2.  
NOTE: When equipped with AGS, the bracket indicated as ETSS100CBKTH-15-D is used for the passenger side of the vehicle. When equipped with AGS, the bracket indicated as ETSS100CBKTH15-P is used for the driver side of the vehicle.
- 3) Install speaker using the appropriate hardware. See page 2. Follow all warnings and suggestions for installation.
- 4) Wire speaker to siren output and test.
- 5) Re-install front bumper cover assembly using previously removed hardware.

### WARNING

Sirens produce loud sounds that may damage hearing

- | Roll up windows
- | Wear hearing protection
- | Use only for emergency response
- | Avoid exposure to siren sound outside of vehicle



### NOTICE:

Installers and users must comply with all applicable federal, state and local laws regarding use and installation of warning devices.

*Improper use or installation may void warranty coverage.*

To review our Limited Warranty Statement & Return Policy for this or any SoundOff Signal product, visit our website at [www.soundoffsignal.com/tech-services/returns/](http://www.soundoffsignal.com/tech-services/returns/).  
If you have questions regarding this product, contact **Technical Services**, Monday - Friday, 8 a.m. to 5 p.m. or after hours 5 p.m. to 8 p.m. ET at 1.800.338.7337 (press #4).  
Questions or comments that do not require immediate attention may be emailed to [techservices@soundoffsignal.com](mailto:techservices@soundoffsignal.com).

**SoundOff**  
**Signal**   
Smart Design.

SUPERIOR CUSTOMER RELATIONSHIPS. SMARTLY DESIGNED LIGHTING & ELECTRONIC SOLUTIONS.

1.800.338.7337 / [www.soundoffsignal.com](http://www.soundoffsignal.com)