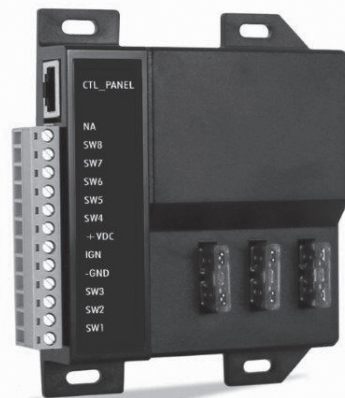


# MULTI-PURPOSE SWITCH/CONTROL PANEL WITH POWER MODULE

ETCPMP801



Control Panel



Power Module

## ⚠ WARNING

- HIGH CURRENT interconnects must be properly terminated. Poor crimp quality can cause heat build-up and fire. Follow crimp connector manufacturer instructions.
- DO NOT install this product or route any wires in the Air Bag Deployment Zone. Refer to vehicle Owner's Manual for deployment zones.
- Do NOT use system to disconnect headlights, brake lights or other safety equipment.
- Unit may become hot to touch during normal operation.
- Failure to properly install connectors, fuses or wiring may cause vehicle failure or fire.
- Installation must only be performed by trained technician. Installer must determine vehicle wiring configuration and proper integration of system.
- Use proper wire gauge. All power wires connecting to positive (+) or negative (-) battery terminal or local chassis ground (-) must be sized to supply at least 125% of max. current and properly fused at power source.
- Install protective grommets when routing wire through firewall or metal.



1.800.338.7337 / www.soundoffsignal.com

## INSTALLATION:

It is essential to install the unit properly to ensure safe and reliable operation. Please read through all instructions thoroughly and carefully before installing the unit. The correct mounting and wiring is the key to the effectiveness of ETCMP801 switch. Installers must read and follow installation instructions and warnings in the manual from original manufacturer. The vehicle operator should verify this system is fastened to the vehicle securely and is functioning properly. Failure to follow all safety precautions and instructions may void warranties, cause personal injury and/or vehicle damage, including fire.

### PRODUCT SPECIFICATIONS

INPUT VOLTAGE	10-24Vdc
INPUT CURRENT	Peak 32A, Average 21A/ Min .01A
CONTROL PANEL CABLE	8 pin RJ45 cable, 24 AWG, 4m
OPERATING TEMPERATURE	-30° C to +65° C
WARRANTY	One-Year

### DIMENSIONS

	Control Panel	Power Module
Length	3.81" (9.69cm)	4.4" (11.2cm)
Height	2.7" (6.88cm)	3.5" (9cm)
Depth	1" (2.55cm)	1.05" (2.67 cm)

**WARNING: Do not interfere with the proper operation of the vehicle airbag deployment system.**

**NOTE: Avoid mounting the switch unit with wiring harness exiting downward. This may cause harness connection to fall off during harsh or sudden impact.**

## NOTICE:

Installers and users must comply with all applicable federal, state and local laws regarding use and installation of warning devices.

*Improper use or installation may void warranty coverage.*

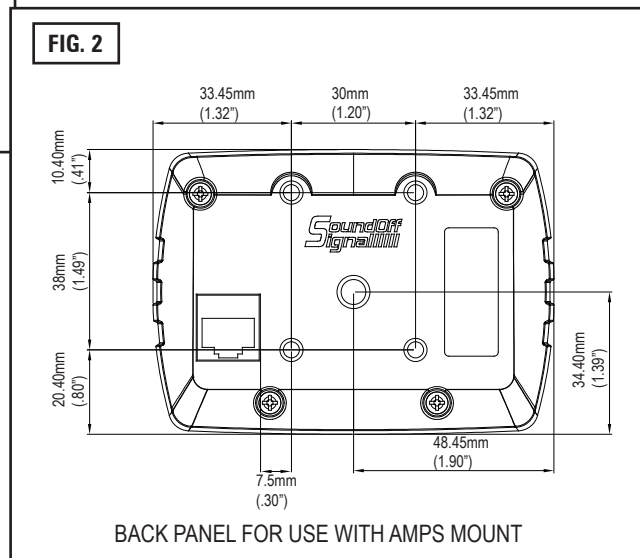
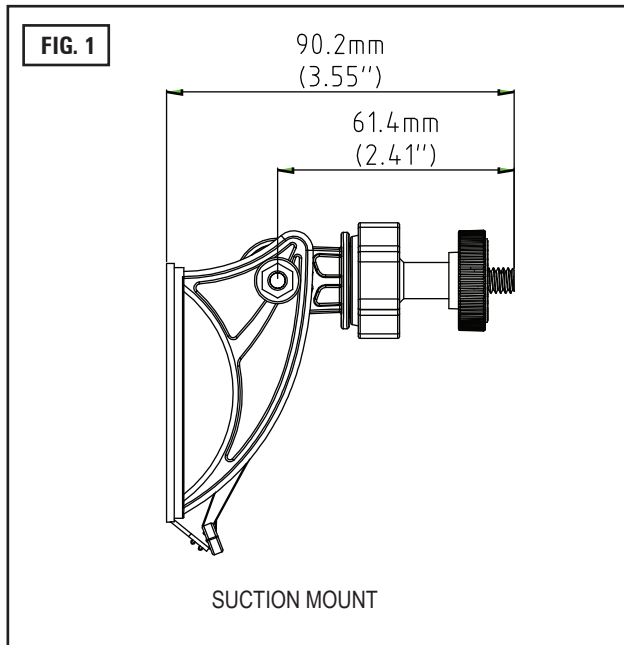
To review our Limited Warranty Statement & Return Policy for this or any SoundOff Signal product, visit our website at [www.soundoffsignal.com/tech-services/returns/](http://www.soundoffsignal.com/tech-services/returns/).

If you have questions regarding this product, contact **Technical Services**, Monday - Friday, 8 a.m. to 5 p.m. ET at 1.800.338.7337 (press #4).

Questions or comments that do not require immediate attention may be emailed to [techservices@soundoffsignal.com](mailto:techservices@soundoffsignal.com).

# MULTI-PURPOSE SWITCH/CONTROL PANEL WITH POWER MODULE

ETCPMP801



## MOUNTING:

### Suction Mount, included

Mount the power module in a location that is not exposed directly to weather elements such as the driver compartment firewall, below the seat, or in the trunk; and away from any air bag deployment areas. Ensure that all wiring harness connections are made prior to connecting the harness to the power module.

Assemble the included panel stand and secure it onto a desired smooth surface via suction cup, where it can be easily accessed by the vehicle operator. If no smooth surface is present, use the included adhesive base to assist the mounting; ensure that the surface is cleaned thoroughly before applying the adhesive base onto the mounting surface. Once the mounting stand is fitted, secure the control panel tightly onto the stand.

### 1. Center 1/4 - 20 Mount

- 1 X 1/4-20 Insert molded nut
- Max depth: 0.3346" (8.5mm)

### 2. AMPS Mounting standard

The control panel can also be mounted by using a standard AMPS mount, using the parameters below:

- 30 x 38 mm (1.20" x 1.49") standard hole pattern, centered on rear housing
- 4 x 8-32 insert molded nuts (Included)
- Dimension for the gap between AMPS hole center to edge of RJ45 is 7.5mm (0.30")
- Max depth for 4 AMPS holes are 0.315" (8mm.)

**WARNING: Do not interfere with the proper operation of the vehicle airbag deployment system.**

**NOTE: Avoid mounting the switch unit with wiring harness exiting downward. This may cause harness connection to fall off during harsh or sudden impact.**

## NOTICE:

Installers and users must comply with all applicable federal, state and local laws regarding use and installation of warning devices.

*Improper use or installation may void warranty coverage.*

To review our Limited Warranty Statement & Return Policy for this or any SoundOff Signal product, visit our website at [www.soundoffsignal.com/tech-services/returns/](http://www.soundoffsignal.com/tech-services/returns/).

If you have questions regarding this product, contact **Technical Services**, Monday - Friday, 8 a.m. to 5 p.m. ET at 1.800.338.7337 (press #4).

Questions or comments that do not require immediate attention may be emailed to [techservices@soundoffsignal.com](mailto:techservices@soundoffsignal.com).

**SoundOff  
Signal**

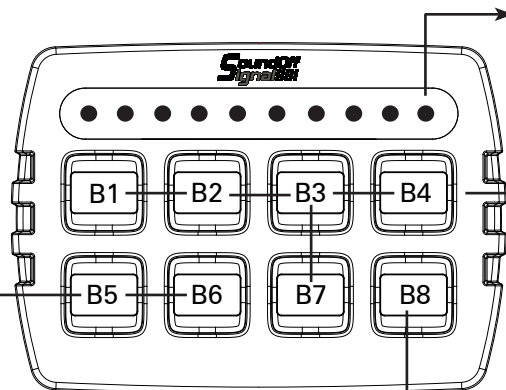
1.800.338.7337 / [www.soundoffsignal.com](http://www.soundoffsignal.com)

ENHANCING SAFETY THROUGH INNOVATION

# MULTI-PURPOSE SWITCH/CONTROL PANEL WITH POWER MODULE

ETCPMP801

## CONTROL PANEL FUNCTION



### 10 Arrow Indicator LEDs:

Sequences LEFT, RIGHT or CENTER OUT pattern based on SW5 & SW6 activation.

### Button 1, 2, 3, 4, 7:

Activates SW1, SW2, SW3, SW4, SW7 Connection respectively; each may be set as an ON/OFF or a momentary button. (For Button Mapping see "ON/OFF or Momentary Button Setting" under "PROGRAMMING" section for more details.)

### Button 8:

Activates SW8 Connection; functions as ON/OFF switch only. Activates pre-programmed buttons. (For Button Mapping see "Programmable Combo Button", under "PROGRAMMING" section for more details.) Press and hold for 3 seconds to turn off all activated buttons, or press and hold for 5 seconds to turn the unit completely OFF. While the unit is OFF, press and hold for 3 seconds or cycle IGN input to turn the unit back ON.

### Button 5 & 6:

Activates SW5, SW6 Connection respectively; each may be set as an ON/OFF or a momentary switch.

This button pair may be configured as a Traffic Director function; B5 – LEFT, B6 – RIGHT, B5 & B6 – CENTER OUT. B5 & B6 activates SW5 & SW6 respectively and also sequences the 10 Arrow Indicator LEDs to the corresponding direction. (for Button Mapping, see "Traffic Advisor Mode Button Setting" under "PROGRAMMING" section for more details.)

**SoundOff  
Signal**

1.800.338.7337 / www.soundoffsignal.com

## PROGRAMMING

### Programmable Combo Button:

Button B8 may be used to activate pre-programmed buttons from Button B1 to B7.

To set-up pre-programmed buttons:

1. Press and hold B1 and B4 for 3 seconds to enter PROGRAMMING MODE. Top Left LED Indicator x4 will light to indicate that you are in PROGRAMMING MODE.
2. While in PROGRAMMING MODE, press and hold B8 for 3 seconds to start button binding.
3. While Top Right LED Indicator x4 are blinking, turn ON the desired button(s) to bind with Button B8.
4. Once set, press and hold B8 for 3 seconds to save the selected buttons then press and hold B1 and B4 for 3 seconds to exit PROGRAMMING MODE.

### ON/OFF or Momentary Button Setting:

Button B1 to B7 may be set as an ON/OFF or a momentary activation.

1. Press and hold B1 and B4 for 3 seconds to enter PROGRAMMING MODE. Top Left LED Indicator x4 will light to indicate that you are in PROGRAMMING MODE.
2. While in PROGRAMMING MODE, turn ON or OFF the desired button for the following scenario:

Button B1~B7 Red Backlight	Button Mode
OFF	ON/OFF (Default)
ON	Momentary

3. Once set, press and hold B1 and B4 for 3 seconds to exit PROGRAMMING MODE.

### Traffic Advisor Mode Button Setting:

Button B5 and B6 may be set to display LEFT, RIGHT or CENTER OUT sequences on the 10 Arrow indicator LEDs.

1. Press and hold B1 and B4 for 3 seconds to enter PROGRAMMING MODE. Top Left LED Indicator x4 will light to indicate that you are in PROGRAMMING MODE.
2. While in PROGRAMMING MODE, press Button B5 for 3 seconds to turn ON/OFF the green backlight.

Button B5 Green Backlight	Mode
OFF	No Arrow Indicator Function
ON	Button B5 & B6 Sequence Traffic Arrow LEDs (default)

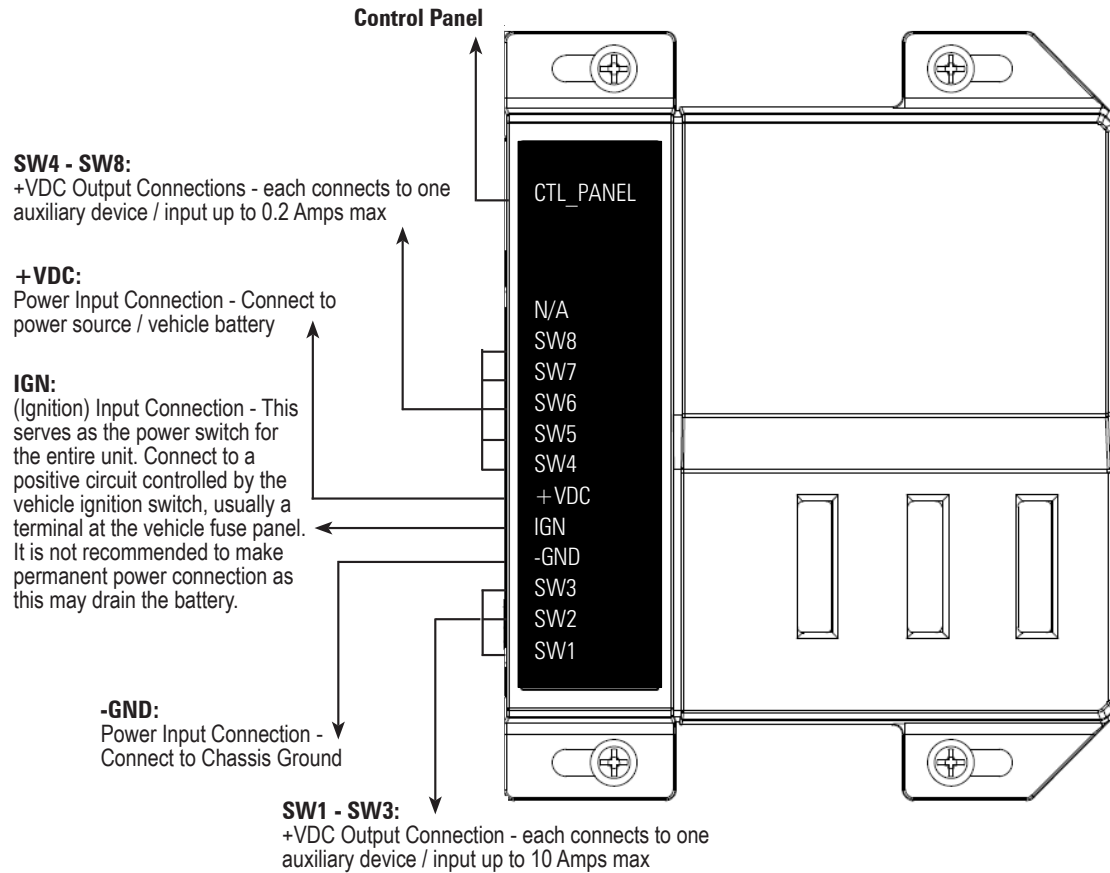
3. Once set, press and hold B1 and B4 for 3 seconds to exit PROGRAMMING MODE.

**NOTE: If user set B5 & B6 as Traffic Advisor Mode, B5 & B6 can't be set as Momentary button. (Under the PROGRAMMING MODE, pressing B5 or B6 will not light up.)**

# MULTI-PURPOSE SWITCH/CONTROL PANEL WITH POWER MODULE

ETCPMP801

## POWER MODULE FUNCTION



## WIRING

Use wires that are capable of handling the required current. Route the wires properly to prevent wear, overheating and interference with air bag deployment. Ensure that all connections are tight and double check wiring before connecting to the vehicle battery.

## ELECTRICAL CONNECTIONS

Electrical connections to the unit are made by using block plugs and screw terminals. Route all wiring to the power module and secure onto block plug terminals, then plug onto the power module. The plug can be easily removed without unwiring when the unit requires servicing. The power supply for this unit must be capable of delivering peak currents up to 32A for adequate short circuit protection and proper operation. It is recommended to wire directly to the vehicle battery with a 35AMP fuse.

## Wire Length Chart

Lengths based on <1 volt drop at specified current draw.  
Best practice is to keep voltage drop over length of wires less than 1 volt.

mm	AWG	5A		10A		15A		20A		25A	
0.34	22	1.8m	6ft	0.9m	3ft	X	X	X	X	X	X
0.5	20	2.9m	9.5ft	1.5m	5ft	0.9m	3ft	X	X	X	X
0.75	18	4.5m	15ft	2.2m	7.5ft	1.5m	5ft	1.2m	4ft	0.9m	3ft
1.5	16	7.5m	24.5ft	3.5m	12ft	2.4m	8ft	1.8m	6ft	1.5m	5ft
2.5	14	12m	39ft	6m	19.5ft	4m	13ft	2.8m	9.5ft	2.5m	8ft
4	12	20m	62ft	9.5m	31ft	6m	20.5ft	4.7m	15.5ft	3.8m	12.5ft
6	10	30m	98ft	15m	49ft	10m	32.5ft	7.5m	24.5ft	6m	19.5ft
10	8	48m	156ft	24m	78ft	16m	52ft	11.8m	39ft	9.4m	31ft
16	6	75m	248ft	37m	124ft	25m	82.5ft	18.8m	62ft	15m	49.5ft
25	4	120m	395ft	60m	197ft	40m	131ft	30m	98.5ft	24m	79ft
35	2	190m	629ft	95m	314ft	63m	209ft	47m	157ft	38m	125ft

## NOTICE:

Installers and users must comply with all applicable federal, state and local laws regarding use and installation of warning devices.

*Improper use or installation may void warranty coverage.*

To review our Limited Warranty Statement & Return Policy for this or any SoundOff Signal product, visit our website at [www.soundoffsignal.com/tech-services/returns/](http://www.soundoffsignal.com/tech-services/returns/).

If you have questions regarding this product, contact **Technical Services**, Monday - Friday, 8 a.m. to 5 p.m. ET at 1.800.338.7337 (press #4).

Questions or comments that do not require immediate attention may be emailed to [techservices@soundoffsignal.com](mailto:techservices@soundoffsignal.com).

**SoundOff  
Signal**

1.800.338.7337 / [www.soundoffsignal.com](http://www.soundoffsignal.com)

ENHANCING SAFETY THROUGH INNOVATION