

UNDERCOVER - HALOGEN INSERT KIT

(w/ Flasher & Switch Kit) # ETCBK3xx

UNIVERSAL SOCKET INSTALLATION

1. Locate the back side of the corner light or headlight housings in the engine compartment. (If possible, remove housing assembly from vehicle.)

IMPORTANT

Make sure the vehicle housing has sufficient area to withstand the extra heat from the halogen insert bulb. Also, make sure halogen insert bulb does not touch any parts in the vehicle light housing.

2. If you are installing into a corner light and the housing already has a hole for a corner light socket; go to step 5. If not; go to step 3.

3. Scribe a mark in a relatively flat, convenient location on the housing.

4. Using a fine tooth 1" hole saw, slowly drill through the housing. Remove any shavings that may have fallen into the housing.

NOTE

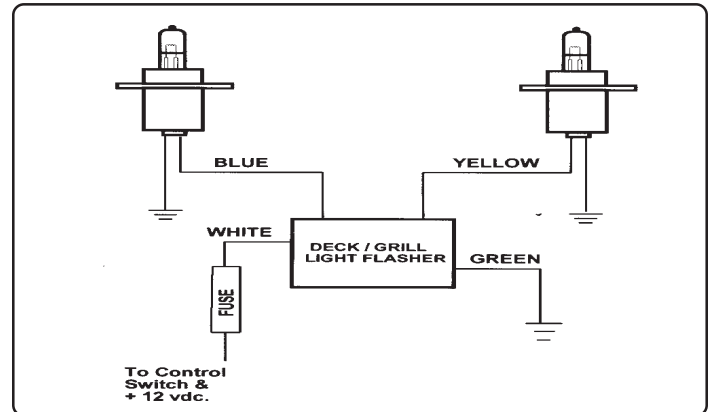
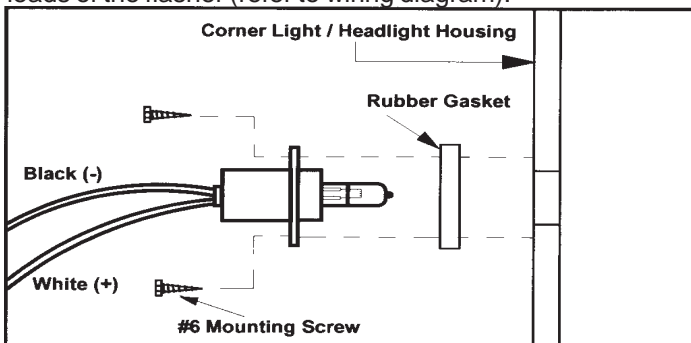
Care must be taken in drilling hole so as not to shatter the housing. Do not use excessive force.

5. Using halogen insert socket as a template, center over the hole and scribe the location of the 2 mounting screws.

6. Using a 5/64" drill bit, drill two pilot holes for the screws.

7. Mount halogen insert assembly using the two #6 screws provided. Make sure the rubber gasket is installed between halogen insert assembly and the vehicle light housing

8. Connect the halogen insert assembly wires to the output leads of the flasher (refer to wiring diagram).



FLASHER INSTALLATION

A properly installed Deck/Grille Light flasher will alternate a set of lights at a constant flash rate of 2.3 flashes per second.

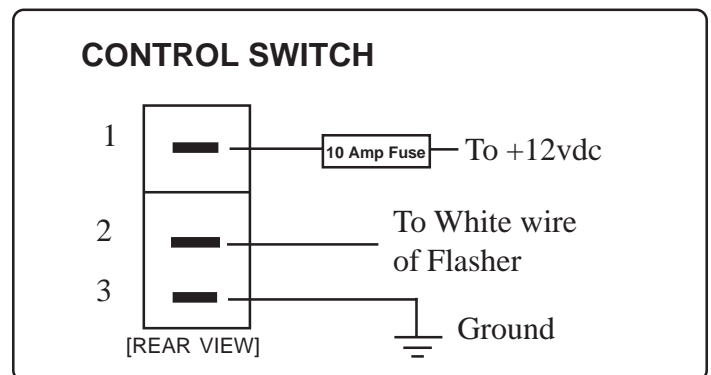
MOUNTING: Mount the flasher in a convenient location.

GREEN WIRE: Connect to a convenient, reliable ground.

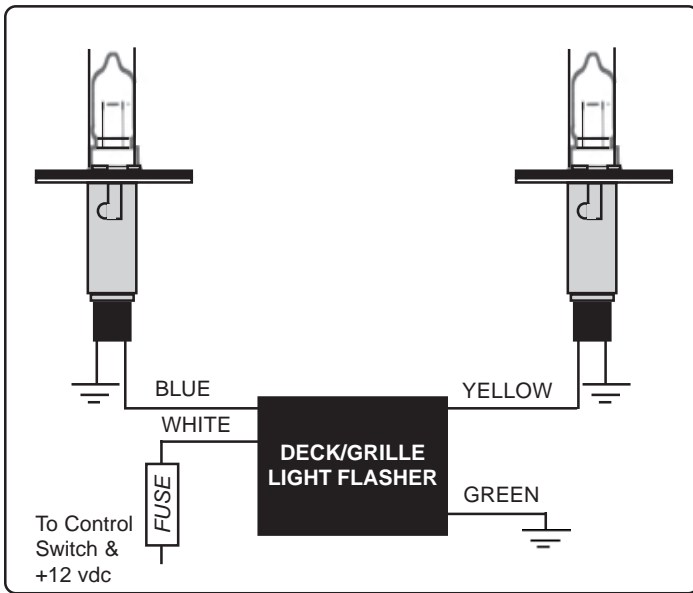
BLUE & YELLOW WIRES: Connect the Blue wire to the hot lead of one corner light socket, connect the Yellow wire to the hot lead of the other corner light socket.

WHITE WIRE: Connect to a powered switch (see diagram at right). Connect the switch through a 10 amp fuse directly to the Positive post of the battery or other high current power source. We recommend the use of a fuse only - **DO NOT CONNECT THE FLASHER SYSTEM TO A CIRCUIT BREAKER OR FUSIBLE LINK.**

*We recommend no more than 5 amps per side to ensure maximum useful life.



WIRING DIAGRAM



WARRANTY

SoundOff Signal warrants the ETCBK3 electronic flasher system for 1 year from date of purchase, to the original purchaser, against any manufactured defects or workmanship. This warranty applies only to units installed according to manufacturer's installation instructions and operated within the units specifications. Warranty is void if the unit was installed incorrectly or maliciously damaged. All warranty claims must be accompanied by a dated proof of purchase. SoundOff Signal retains the right to be the sole mediator of what constitutes defects in performance or manufacturing.

Deck/Grille Light Flasher covered by U.S. Patent #'s 4114071 & 4309639