

IGNITION SECURITY SYSTEM (I.S.S) ETISS0-07 +

The ETISS0-07 + Ignition Security System is designed to allow the vehicle to stay running when the key is removed from the ignition switch. If the brake is pressed, or if the vehicle is put in reverse, the engine will stop running.

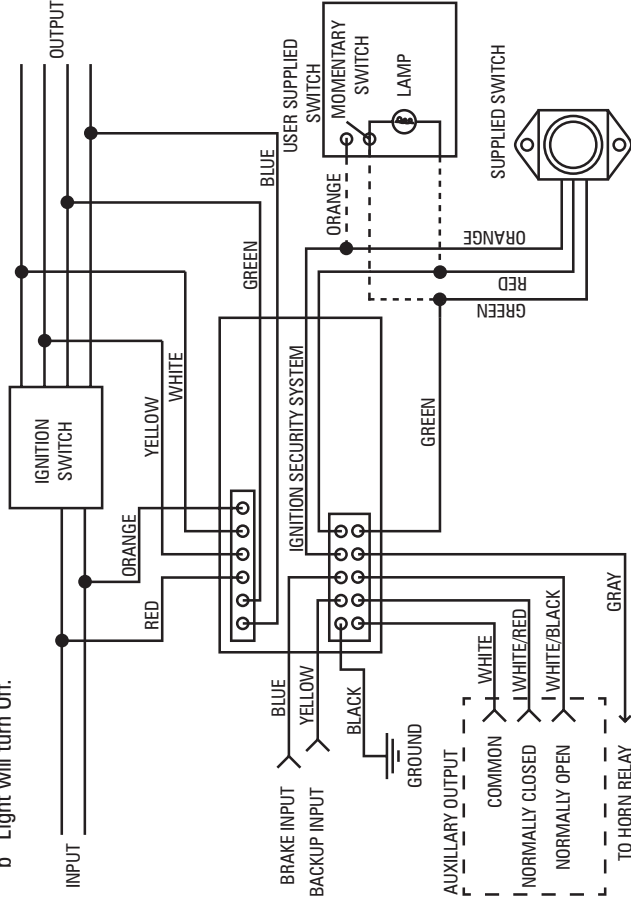
OPERATION

Activating I.S.S.

- 1 Start vehicle.
- 2 Momentarily press switch 1 time for Horn Mode. Light will flash to indicate I.S.S. is active and horn is enabled.
- 3 Press 2nd time within 2 seconds for No-Horn Mode. Light will be steady ON to indicate I.S.S. is active but horn is disabled.
- 4 Low Voltage detection. In the event a low voltage is detected and Horn Mode is activated the horn will sound every 5 seconds to alert operator the electrical system has a problem.
- 5 When in horn mode and I.S.S. is tripped the horn output will pulse 12Vdc.

De-activating I.S.S.

- 1 For security, pressing switch will not de-activate I.S.S.
- 2 Place key back in ignition and turn to "RUN" position.
- 3 Press Brake pedal or Shift vehicle into reverse.
 - a Vehicle will continue to run.
 - b Light will turn Off.



INSTALLATION:

NOTE:

Before beginning installation, carefully remove the battery cable from the negative post of the battery.

NOTE:

White output wire must be used for ignition security system to operate correctly.

If using the ETISS0-07 + with a tail light flasher, be sure that it has isolation in the reverse and brake wire. Without isolation it will cause the I.S.S. to trip and turn the vehicle off.

ETISS0-07 + Ignition Security System

The ETISS0-07 + may not operate correctly if your vehicle has any of the following: computer interfacing circuits connected to the brake or reverse switch, factory or after market anti-theft or alarm systems.

Customer must always verify that their vehicle can accept the ETISS0-07 + ignition security system. Failure to do so may result in damage to the I.S.S., vehicle wiring or other components. Failure to follow the above caution will void any warranty claim with SoundOff Signal.

Mounting:

It is recommended to mount the module behind the dash and within the wire length of the steering column. Be sure that the module is securely mounted.

Mount the switch box in convenient location.

CAUTION

DO NOT over tighten the mounting screws on either the I.S.S. box or the control switch to prevent damage to the mounting tabs.

ELECTRICAL SPECIFICATIONS

Operating Voltage	10-16Vdc
Inupt Current (Red and Orange Wires)	20A Max each wire
Output Current (White, Yellow, Green and Blue Wires)	10A Max each Wire
Brake/Reverse Input Trip Voltage	10-16Vdc



To review our Limited Warranty Statement & Return Policy for this or any SoundOff Signal product please visit our website at www.soundoffsignal.com and select the "Warranty & Returns" link along the left column of our home page. If you have questions regarding this product please contact Technical Services, Monday - Friday, 8 am to 5 pm at 1.800.338.7337, press #4 to skip the automated message. Questions or comments that do not require immediate attention may be emailed to techsupport@soundoffsignal.com.

1.800.338.7337. / www.soundoffsignal.com / Thank you for trusting us with your safety!