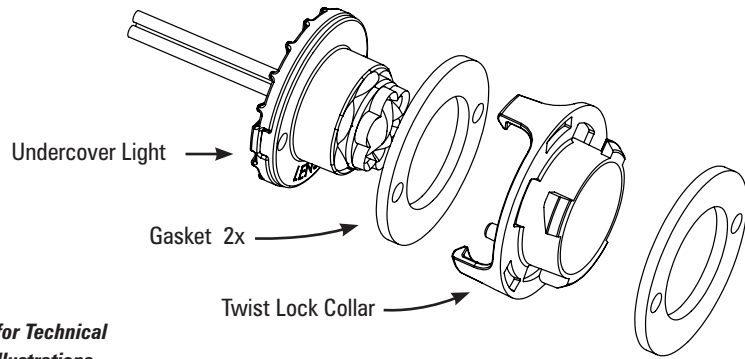




UNIVERSAL UNDERCOVER™ LED INSERT - FORD INTERCEPTOR UTILITY ONLY ELUCTS010(x) - 10-16 Vdc, 10' CABLE

KIT INCLUDES:

- 1 ea. - Assembled light head with Extreme Angle Lens #1, in-line flasher and desired cable length
- 1 - Twist Lock Collar
- 2 - Gaskets



Please see reverse for **Technical Specifications and Illustrations**

Important Information:

- DO NOT cut the wires between in-line flasher and light head
- Warning devices are strictly regulated and governed by Federal, State and Municipal ordinances. These devices shall be used ONLY on approved vehicles. It is the sole responsibility of the user of these devices to ensure compliance.
- DO NOT install this product or route any wires in the Air Bag Deployment Zone. Refer to your vehicle Owner's Manual for the location of any air bag deployment zones.
- DO NOT connect this device to a strobe power supply. This product is self-contained and does not require an external strobe power supply.

WIRE CONNECTIONS

WIRE HOOK-UP TABLE

| WIRE COLOR: | CONNECT TO: |
|-------------|---------------------|
| RED | +Vdc |
| BLACK | Ground (-) |
| WHITE | Pattern Select/Sync |
| GREEN | Cruise Mode (+Vdc) |

⚠ WARNING-HOT!

This product must be mounted with sufficient clearance from any plastic parts. Failure to do so may result in permanent damage to the housing.

⚠ WARNING

This product contains high intensity LED devices. To prevent eye damage, DO NOT stare into the light beam at close range.

MOUNTING INSTRUCTIONS

Up to 4 LED inserts can be synchronized for alternating or simultaneous flash patterns using the white (SYNC) wire. See back for SYNC Configuration instructions.

1. Remove the headlight assembly according to manufacturer's instructions.
2. Remove Green Plug from rear of headlight assembly to get access to pre-cut hole in the headlamp.
3. Snap the Universal Undercover LED insert into the Twist Lock Collar as shown on picture.
4. Install the Twist Lock Collar w/LED assembly into the pre-cut hole in the headlamp housing.
5. Use the supplied gaskets as shown on left.
6. Complete wire connections and test light prior to remounting vehicle reflector assembly.
7. Complete wire connections and test light prior to remounting vehicle reflector assembly.
8. Re-install reflector assembly according to vehicle manufacturer's instructions.

IMPORTANT INFORMATION:

Warning devices are strictly regulated and governed by Federal, State and Municipal ordinances. These devices shall be used ONLY on approved vehicles. It is the sole responsibility of the user of these devices to ensure compliance.

To review our Limited Warranty Statement & Return Policy for this or any SoundOff Signal product, visit our website at www.soundoffsignal.com/sales-support. If you have questions regarding this product, contact **Technical Services**, Monday - Friday, 8 a.m. to 5 p.m. at 1.800.338.7337 (press #4 to skip the automated message). Questions or comments that do not require immediate attention may be emailed to techservices@soundoffsignal.com.



PATTERN RESET

1. Remove power.
2. Place WHITE (sync) wire to ground.
3. With sync wire grounded, re-power RED wire.
4. Maintain for one second (light will dim).
5. Remove power and ground (pattern 1 set).

SLAVE MODE

The UNDERCOVER is capable of being activated through the use of a user supplied flasher by putting it in slave mode.

1. Permanently connect the UNDERCOVER™ WHITE and BLACK wire to a good, convenient ground.
2. Connect the UNDERCOVER™ RED wire, through a 3Amp fuse, to the output of a +Vdc switching flasher.

Parts & Accessories:

- PLUC2LN1E - LENS #1, Extreme Angle
- PLUC2LN1V - LENS #2, Vertical Output
- PLUC2LN1H - LENS #3, Horizontal Output
- PLUCTCL1 - Twist Lock Collar

| TECHNICAL SPECIFICATIONS | |
|--------------------------|-------------------|
| Overall Dimensions: | 1.5" n x 0.9" H |
| Flash Patterns: | 30 flash patterns |
| Input Voltage Range: | +Vdc |
| Current Consumption: | <1 Amp / module |
| # of LEDs: | 6 Gen3 LEDs |
| Light Sync Technology: | Yes |
| Operating Temp.: | -40° to +65° C |

*Flash Pattern Dependent

SINGLE LIGHT HEAD SET UP AND PATTERN SELECTION

1. Disconnect WHITE wire from any connections if applicable.
2. Turn UNDERCOVER™ ON by applying power to RED.
3. Momentarily touching and removing the WHITE wire to ground will advance the UNDERCOVER™ to the next flash pattern. Touching and removing the WHITE wire for more than a few seconds will allow you to change the UNDERCOVER™ to the previous pattern. See flash pattern table. Continuing to touch and remove the WHITE wire to ground will allow you to scroll through the pattern list. After pattern #30 is reached the list will start over again at pattern #1.

SINGLE COLOR AND DUAL COLOR CONFIGURATIONS

Follow the ID selection steps and set the UNDERCOVER to the following ID:

- ID #1 - Split Color
- ID #2 - Single Color
- ID #3 - Split Color
- ID #4 - Single Color

Single Color - Simultaneous Flash Patterns:
- Set light heads to same ID (#2 or #4).

Single Color - Alternating Flash Patterns:
- Set one light head to ID #2 and another to ID #4.

Split Color - Simultaneous Flash Patterns:
- Set light heads to the same ID (#1 or #3).

Split Color - Alternating Flash Patterns:
- Set one light head to ID #1 and another to ID #3.

MULTIPLE LIGHT HEAD SET UP AND PATTERN SELECTION

1. Set ID#
 - a. Connections
 - i. RED: +Vdc
 - ii. WHITE: +Vdc (Note: you will need to disconnect after power is applied)
 - iii. BLK: Ground
 - iv. GREEN: NO CONNECTION REQUIRED FOR ID SELECTION
 - b. Apply power to unit
 - c. Without disconnecting power from unit, disconnect WHITE wire
 - d. Momentarily connect WHITE to Ground to change ID #
 - i. Identify ID# by number of sequential flashes
 - ii. Possible ID#s: 1 – 4
 - e. Disconnect Power to exit ID mode
2. Set Pattern - Must be done individually to each light prior to syncing
 - a. RED: +Vdc
 - b. BLACK: Ground
 - c. While light is powered, tap WHITE wire to ground to advance to the next pattern (SEE pattern table at right)
 - d. Disconnect Power
3. Sync Lights
 - a. Once desired pattern has been selected for all light heads connect all white wires and insulate with electrical tape.
4. Connect Master Switch for Application.

Maximum Light heads that can be synchronized together is 4 without external flasher available from SoundOff Signal.

| Flash Patterns | | | | |
|----------------------------|---------|----------------------|-----------------------|---------------------------|
| Pattern Name | 1 Light | Alternating 2 Lights | Simultaneous 2 Lights | F.P.M. (Flashes / Minute) |
| 1. Quint | x | x | x | 70 |
| 2. Warp | x | x | x | 350 |
| 3. Inter-Cycle Flash | x | x | | |
| 4. Double Flash | x | x | x | 70 |
| 5. Quad Flash | x | x | x | 80 |
| 6. PowerPulse™ | x | x | x | 180 |
| 7. RoadRunner™ | x | x | x | 113 |
| 8. Q-Switch™ | x | x | | |
| 9. RoadRunner™ Steady Burn | x | x | | 113 |
| 10. Quad Steady Burn | x | x | | 80 |
| 11. E-Ideal Single Flash | x | x | x | 200 |
| 12. E-Ideal Double Flash | x | x | x | 146 |
| 13. Quad2 Flash | x | x | x | 67 |
| 14. Double2 Flash | x | x | x | 95 |
| 15. PowerRunner | x | x | x | |
| 16. LCR Quint | x | x | x | |
| 17. Warp² | x | x | x | |
| 18. Ultra Warp | x | x | x | 545 |
| 19. Thunder & Lightning | x | x | | |
| 20. Lite Speed | x | x | x | 85 |
| 21. SuperSonic | x | | x | 170 |
| 22. LCR Lite Speed | x | x | x | |
| 23. SuperSonic Ultra | x | x | x | |
| 24. Tempo Shift | x | x | x | |
| 25. Tempo Shift Warp | x | x | x | |
| 26. SBE2 | x | x | x | 67 |
| 27. C² | x | x | x | 200 |
| 28. U² | x | x | x | 176 |
| 29. Cyclone | x | x | x | |
| 30. Chameleon2™ | x | x | x | |

