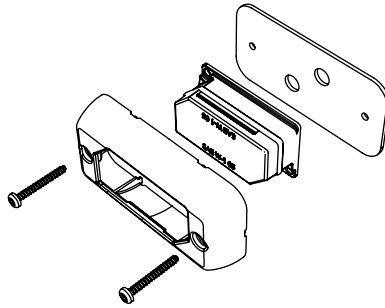
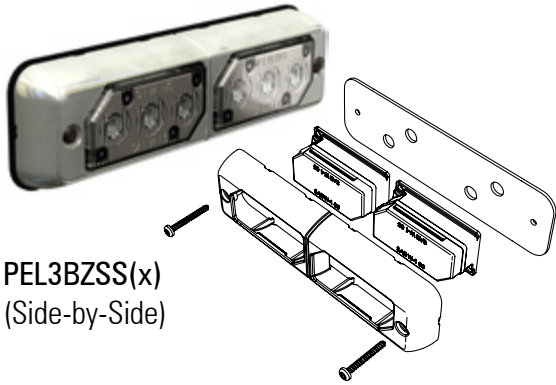


## LED3 MINI LIGHT

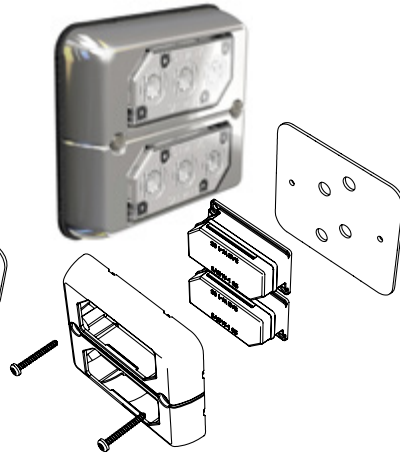
- PEL3BZSG(x) (Single Bezel)  
 PEL3BZSS(x) (Side-by-Side Bezel)  
 PEL3BZDS(x) (Dual Stacked Bezel)  
 (x)=B(Black), C(Chrome), W(White)



PEL3BZSG(x) (Single)



PEL3BZSS(x)  
 (Side-by-Side)



PEL3BZDS(x)  
 (Dual Stacked)

Please see reverse  
 Installation Templates

### Important Information:

- Warning devices are strictly regulated and governed by Federal, State and Municipal ordinances. These devices shall be used ONLY on approved vehicles. It is the sole responsibility of the user of these devices to ensure compliance.
- DO NOT connect this device to a strobe power supply. This product is self-contained and does not require an external power supply.

### INSTALLATION:

**Important: DO NOT over tighten mounting screws or nuts. This could cause permanent damage to the light or bezel.**

- 1) Locate flat mounting location for the LED3 Mini Light (EL3SN(x)) / bezel assembly. Note: the LED3 Mini Light is sold separately.
- 2) Use the paper template included as template to drill (2) 3/32" pilot holes for mounting screws and 1/4" holes(s) for wire.
- 3) Dry fit assembly to determine which side of gasket faces mounting surface. Ensure that the wire harness will align with corresponding 1/4" hole.
- 4) Thread wire harness(es) through hole(s) in gasket and corresponding hole(s) in mounting surface, make electrical connections.
- 5) Snap light module(s) into bezel
- 6) Secure bezel assembly to mounting surface using supplied #6 x 1" torx screws. Be sure not to over tighten screws as this will cause hole in mounting surface to strip out. Be sure that supplied gasket is mounted and aligned between mounting surface and LED3 module/Bezel assembly.

### OPERATION:

Follow the instructions for the LED3 Mini Light (EL3SN(x)) for wire connections.

#### DIMENSIONS

Single Dimensions: EL3SNBZSG(x)	3.85"L x 1.84"W x 0.8"D
Side-by-Side Dimensions: EL3SNBZSS(x)	6.61"L x 1.84"W x 0.8"D
Dual Stacked Dimensions: EL3SNBZDS(x)	3.85"L x 3.38"W x 0.8"D



To review our Limited Warranty Statement & Return Policy for this or any SoundOff Signal product please visit our website at [www.soundoffsignal.com](http://www.soundoffsignal.com) and select the "Warranty & Returns" link along the left column of our home page. If you have questions regarding this product please contact Technical Services, Monday - Friday, 8 am to 5 pm at 1.800.338.7337, press #4 to skip the automated message. Questions or comments that do not require immediate attention may be emailed to [techsupport@soundoffsignal.com](mailto:techsupport@soundoffsignal.com).

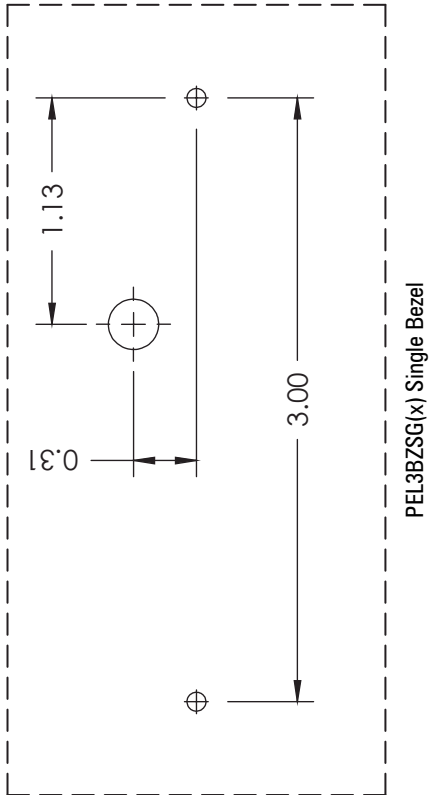
1.800.338.7337. / [www.soundoffsignal.com](http://www.soundoffsignal.com) / Thank you for trusting us with your safety!

# PRODUCT NAME

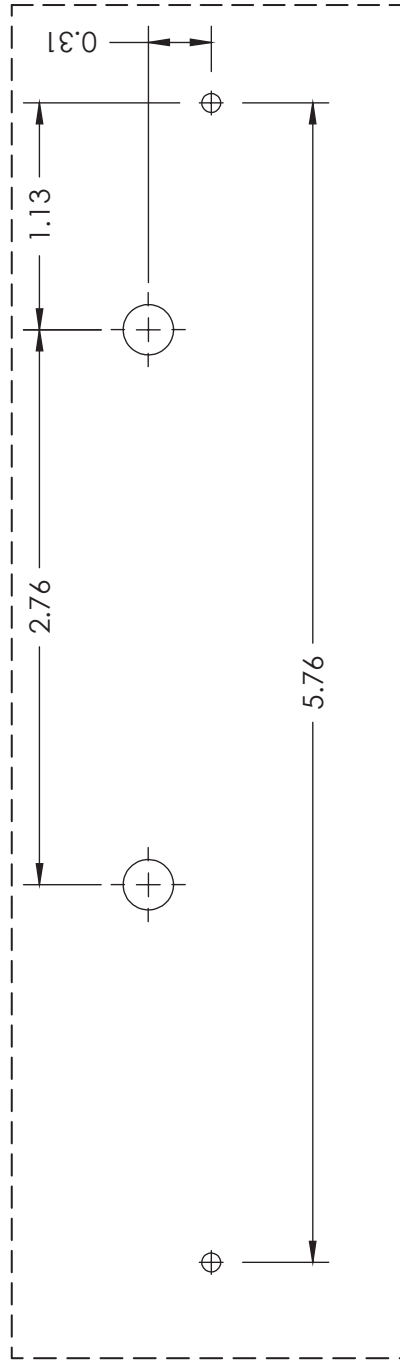
- PEL3BZSG(x) (Single Bezel)
  - PEL3BZSS(x) (Side-by-Side Bezel)
  - PEL3BZDS(x) (Dual Stacked Bezel)
- (x)=B(Black), C(Chrome), W(White)

## IMPORTANT NOTE:

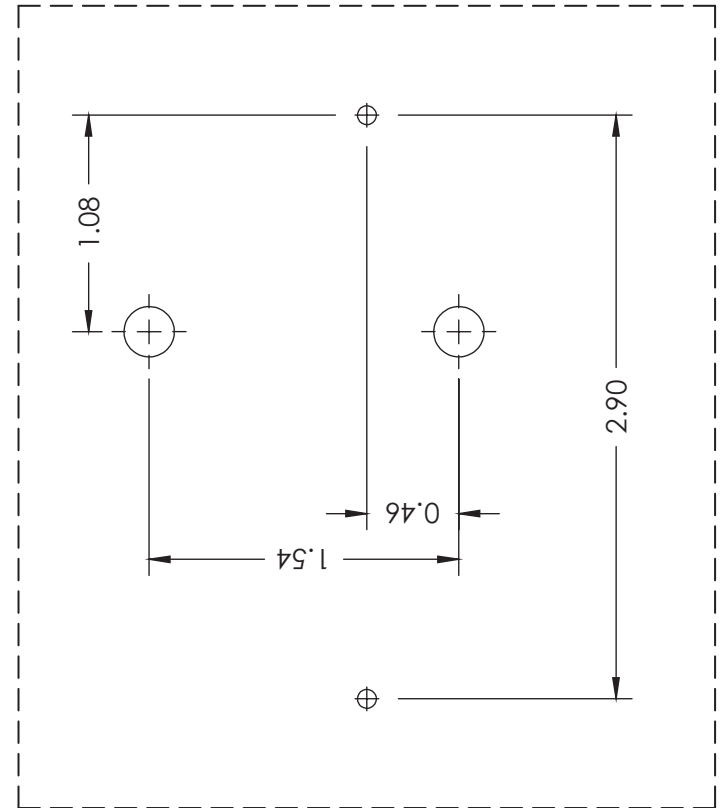
An effort has been made to produce these templates at full size. However, SoundOff Signal cannot guarantee their total accuracy because of humidity etc. Therefore, if these templates are used, it is the installer's responsibility to verify the accuracy and modify these templates to the dimensions shown.



PEL3BZSG(x) Single Bezel



PEL3BZSS(x) Side-by-Side Bezel



PEL3BZDS(x) Dual Stacked Bezel

