



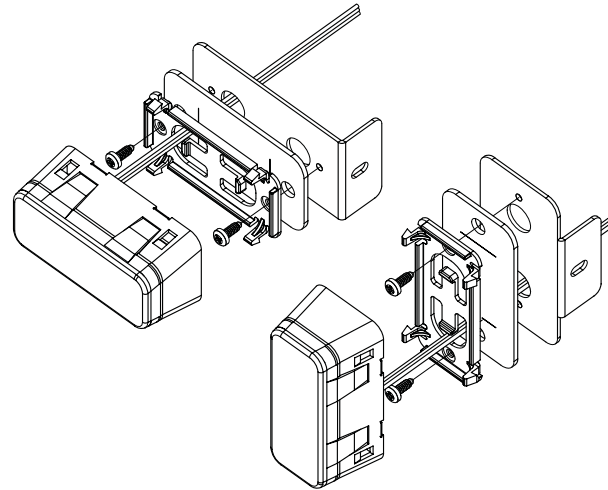
3900 Central Parkway
Hudsonville, MI 49426
toll free 800.338.7337
office 616.896.7100
techsupport@soundoffsignal.com
www.soundoffsignal.com

Tools Needed for Installation:

- Screw driver set
- Power drill with drill bit set

INSTALLATION INSTRUCTIONS

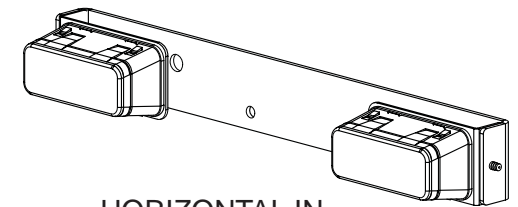
1. Remove license plate from vehicle.
2. Determine which type of mount suits your application.
3. Determine location and drill 1/2" hole for wire routing.
4. Assemble LED3 to adapter plate shown using supplied #6 thread forming screws.
5. Assemble adapter plate with LED3 to base mounting bracket using supplied #8 screws.
6. Route wires through hole created in step 3.
7. Fasten bracket with license plate on top to vehicle using license plate screws removed in step 1. Extra holes are provided for heavy duty mounting.
8. Wire LED3 according to LED3 installation instructions.



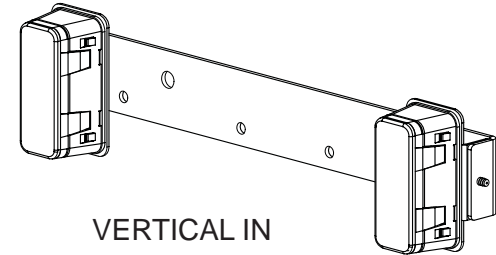
ASSEMBLY OF MODULES

LED3 LICENSE PLATE BRACKET

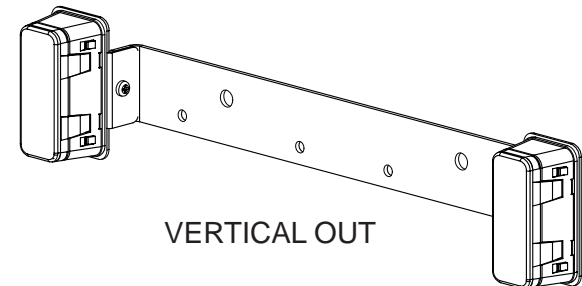
EL3SBRK2LPH
EL3SBRK2LPV
EL3SBRK2LPHE
EL3SBRK2LPVE



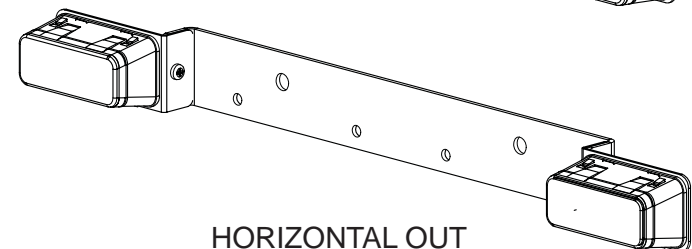
HORIZONTAL IN



VERTICAL IN



VERTICAL OUT



HORIZONTAL OUT